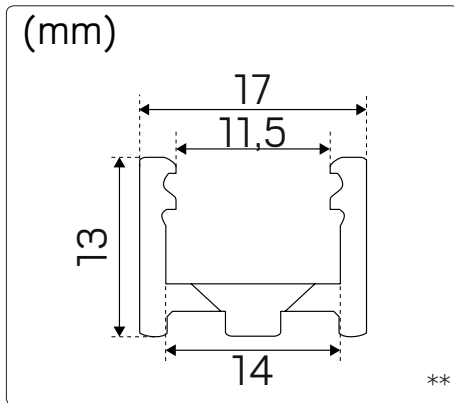


E-nr	Snro	El.nr	GTIN	Name
75 036 34	42 030 74	32 360 46	7392971131443	Profile U Plastic 15mm 2m*
75 036 35	42 030 73	32 360 45	7392971131436	Profile U Plastic 17mm 2m**



For explanation of symbols see www.hidealite.se



Installation

