

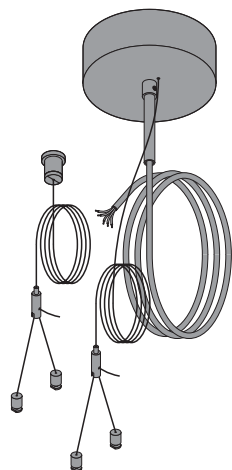
LINEAR INDIVILED® DIRECT

LINEAR INDIVILED® DIRECT/INDIRECT

ACCESSORIES




LN INV
SUSPENSION KIT



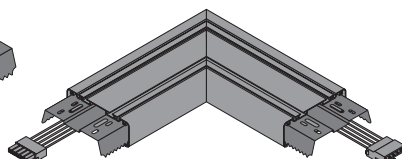
LN INV
SUSPENSION WIRE



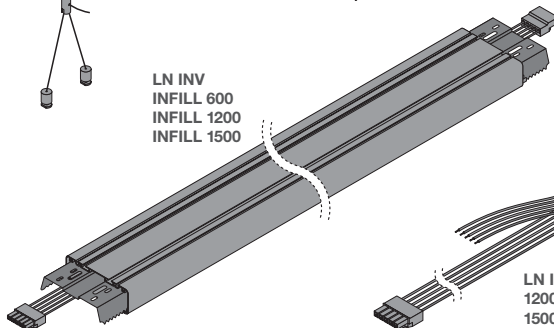
LN INV
INLINE CONNECTOR



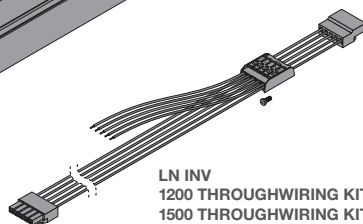
LN INV
CORNER CONNECTOR

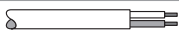



LN INV
INFILL 600
INFILL 1200
INFILL 1500



LN INV
1200 THROUGHWIRING KIT
1500 THROUGHWIRING KIT

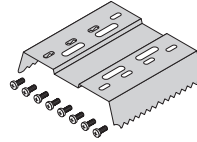
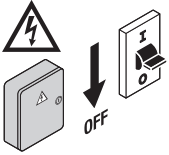
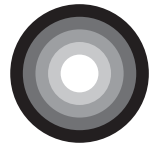


	EAN	ø / l x w x h [mm]	 l [mm]	
LN INV SUSPENSION KIT WT	4099854215537	120 x 40 x 1500	1640	600 g
LN INV SUSPENSION KIT BK	4099854297069	120 x 40 x 1500	1640	600 g
LN INV SUSPENSION WIRE	4099854215551	1500	-	50 g
LN INV INLINE CONNECTOR	4099854215612	100 x 122 x 27	-	120 g
LN INV CORNER CONNECTOR WT	4099854214905	350 x 350 x 43	700	1120 g
LN INV CORNER CONNECTOR BK	4099854308079	350 x 350 x 43	700	1120 g
LN INV INFILL 600 WT	4099854214882	700 x 125 x 43	700	1420 g
LN INV INFILL 600 BK	4099854297045	700 x 125 x 43	700	1420 g
LN INV INFILL 1200 WT	4099854214868	1300 x 125 x 43	1300	2700 g
LN INV INFILL 1200 BK	4099854297007	1300 x 125 x 43	1300	2700 g
LN INV INFILL 1500 WT	4099854214844	1600 x 125 x 43	1600	3100 g
LN INV INFILL 1500 BK	4099854297021	1600 x 125 x 43	1600	3100 g
LN INV 1200 THROUGHWIRING KIT	4099854214820	1430 x 28 x 14	1300	127 g
LN INV 1500 THROUGHWIRING KIT	4099854214806	1720 x 28 x 14	1600	133 g

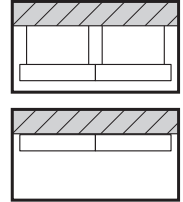
LINEAR INDIVILED® DIRECT

LINEAR INDIVILED® DIRECT/INDIRECT

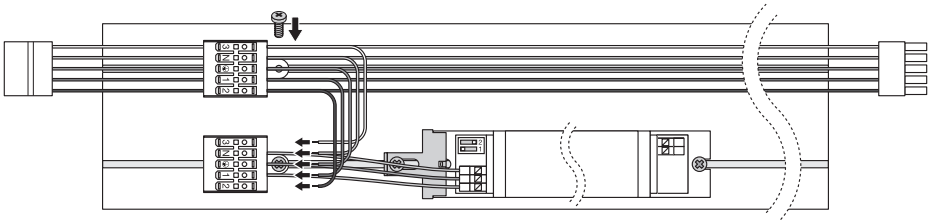
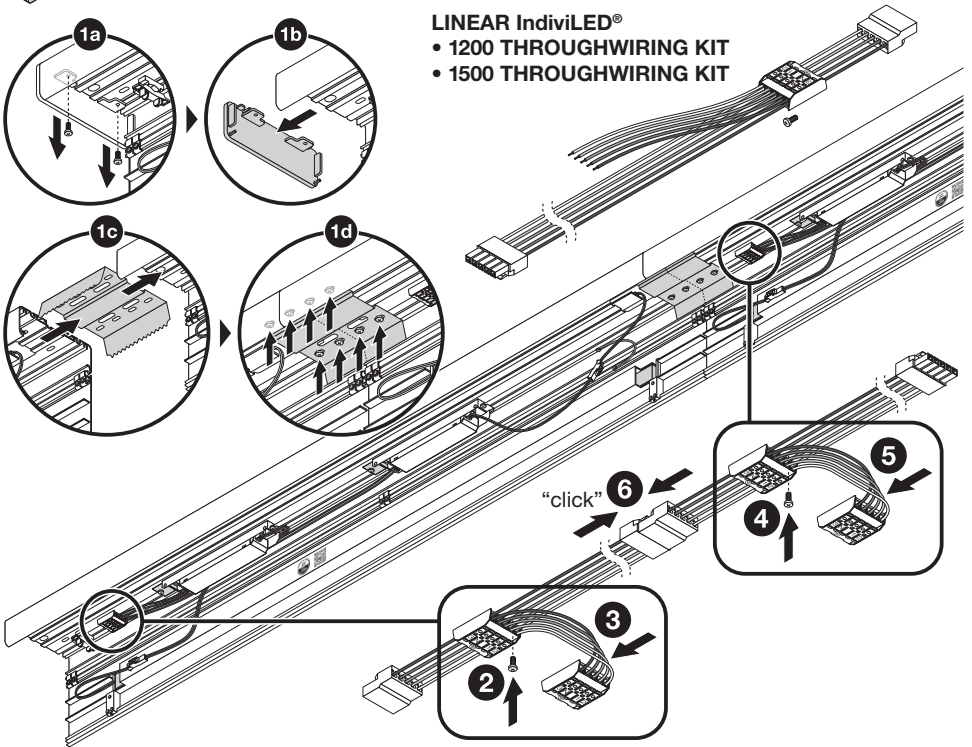
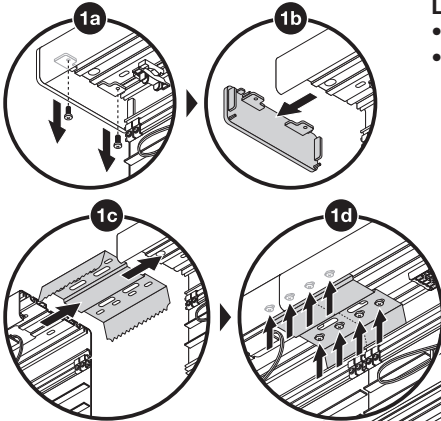
ACCESSORIES



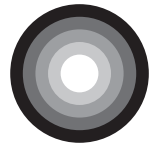
LINEAR IndiviLED®
INLINE CONNECTOR



LINEAR IndiviLED®
• 1200 THROUGHWIRING KIT
• 1500 THROUGHWIRING KIT

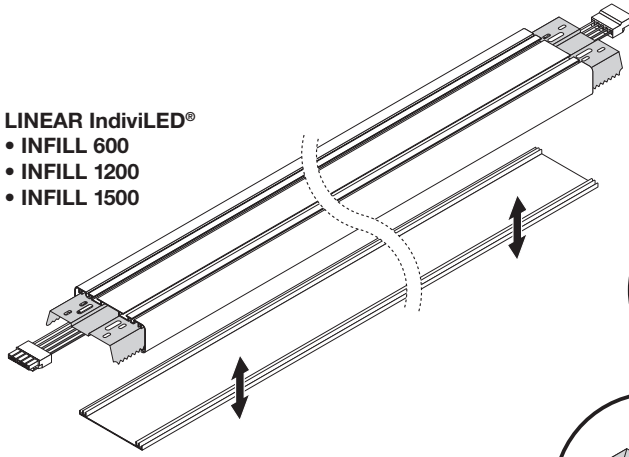


LINEAR INDIVILED® DIRECT LINEAR INDIVILED® DIRECT/INDIRECT ACCESSORIES

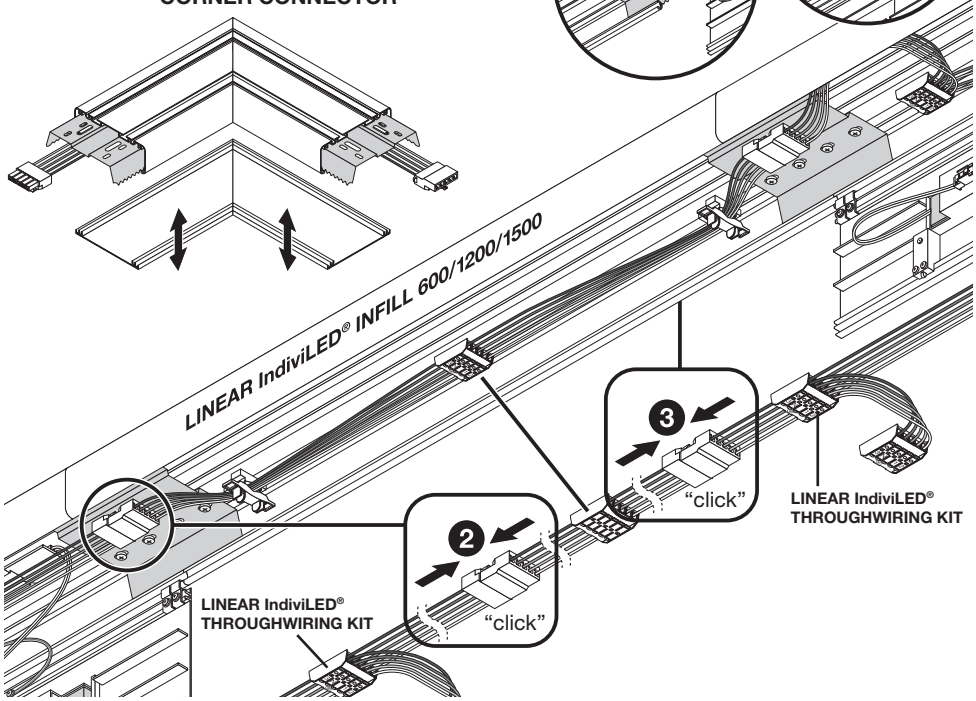
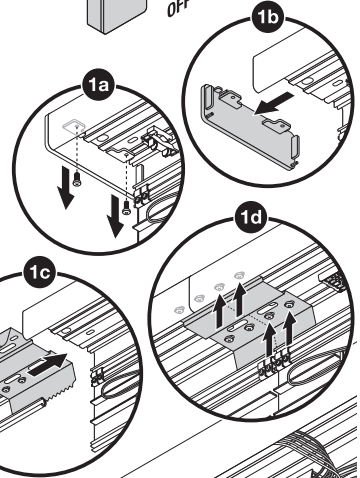
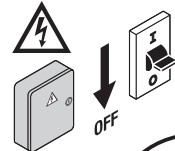
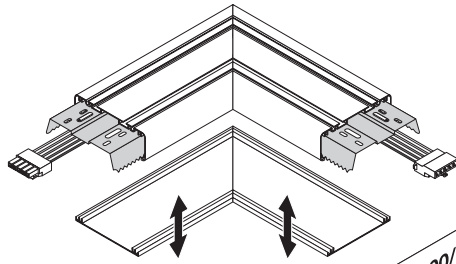


LINEAR IndivILED®

- INFILL 600
- INFILL 1200
- INFILL 1500



LINEAR IndivILED® CORNER CONNECTOR

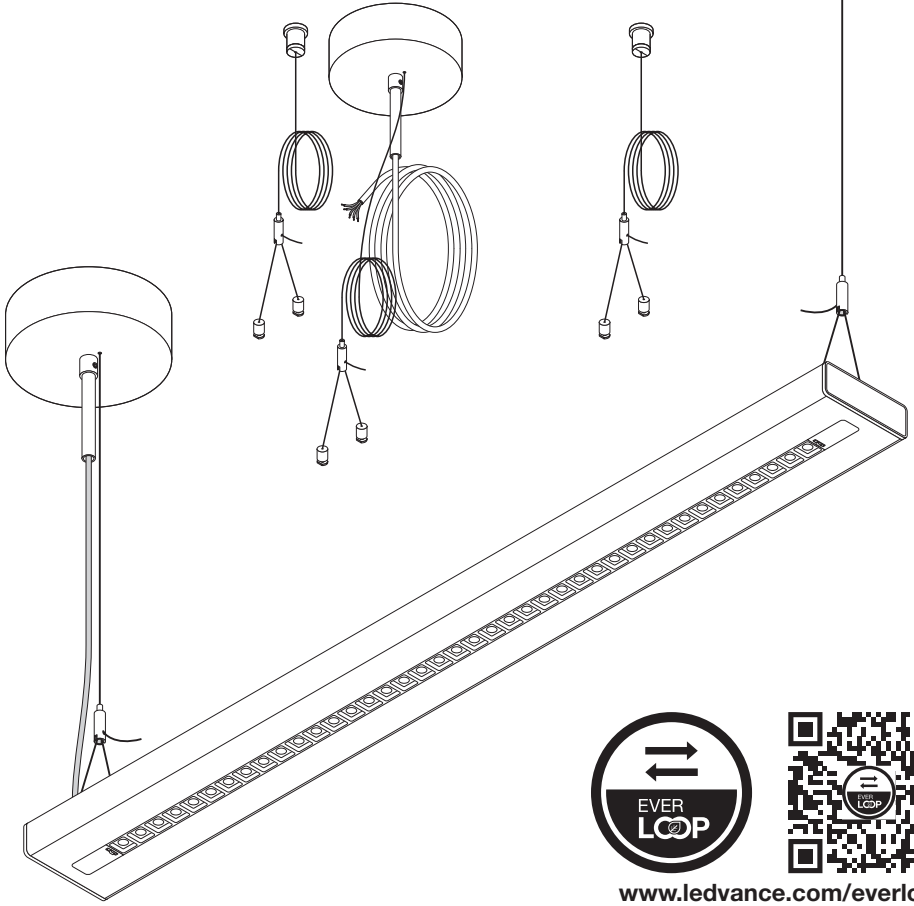


LINEAR IndivILED® THROUGHWIRING KIT

LINEAR IndivILED® THROUGHWIRING KIT

**LINEAR IndiviLED®
SUSPENSION KIT**

**LINEAR IndiviLED®
SUSPENSION WIRE**



www.ledvance.com/everloop















Points de collecte sur www.quefairedemesdechets.fr



LEDVANCE GmbH
Steinerne Furt 62
86167 Augsburg, Germany
www.ledvance.com

C10449057
G11175735
25.06.24

© LEDVANCE Ltd, Sterling House,
810 Mandarin Court, Warrington,
Cheshire, WA1 1GG, United Kingdom