

EAN 4007841 034733



infrared sensor
360°



max. 4 m

1000w

1000 W max.
(LED-ready)



IP54



2 - 2000 lux



8 sec - 35 min



energy saving

5 JAHRE
HERSTELLER
GARANTIE

manufacturer's
warranty
steinel-professional.de/garantie



CE

Function description

Intelligent technology for installation. Infrared wall sensor IS 2360 DE ECO, for indoors and out, ideal for installing in projecting roofs and suspended ceilings, 360° angle of coverage, reach can be set up to 4 m, selectable time and twilight threshold, detection zone can be customised with shrouds.

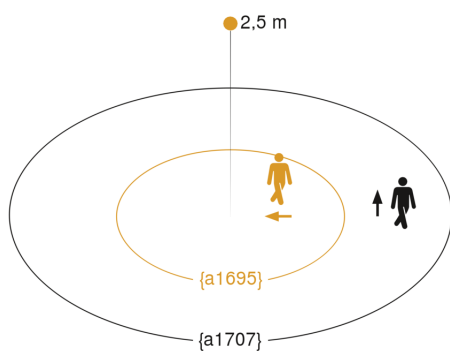
Technical specifications

Type	Motion detectors
Dimensions (Ø x H)	78 x 89 mm
Mains power supply	220 – 240 V / 50 – 60 Hz
Sensor Technology	passive infrared
Application, place	Outdoors, Indoors
Application, room	corridor / aisle, changing room, function room / ancillary room, kitchenette, stairwell, WC / washroom, outdoors, front door, all round the building, terrace / balcony, Indoors
Installation site	ceiling
Installation	Installation
Electronic scalability	No
Mechanical scalability	No
Mounting height	2,2 – 4 m
Optimum mounting height	2,5 m
Detection angle	360 °
Angle of aperture	180 °
Sneak-by guard	Yes
Capability of masking out individual segments	Yes
Reach, radial	Ø 4 m (13 m ²)
Reach, tangential	Ø 8 m (50 m ²)

Twilight setting TEACH	No
Twilight setting	2 – 2000 lx
Time setting	8 s – 35 min.
Switching output 1, number of LEDs / fluorescent lamps	/ 6 pcs.
Constant-lighting control	No
Basic light level function	No
Settings via	Potentiometers
Interconnection	No
Type of interconnection	Master/master
IP-rating	IP54
Material	Plastic
Ambient temperature	-20 – 40 °C
Colour	white
Colour, RAL	9010
IDs, certificates	VDE
Manufacturer's Warranty	5 years
PU1, EAN	4007841034733

EAN 4007841 034733

Detection Zone

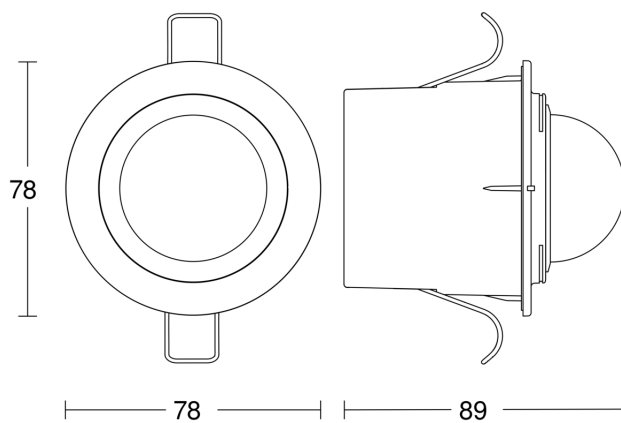


Mögliche Montagehöhe: 2,20 m – 4,00 m

Orange: radial

Schwarz: tangential

Dimension Drawing



Circuit diagram

