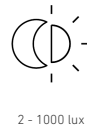
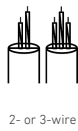


IR 180 UNIVERSAL

white
 EAN 4007841 033149
 Article number 033149



Function description

World first for modernisation and refurbishment. 180° infrared presence switch in patented 2-wire design – perfect for LED lamps. Integrated SuperCap energy storage system for flawless functionality even in the event of a power cut. Zero-watt stand-by output. Absolutely flicker-free light from any lamp. Integrated switch for manual override. 20 m reach.

Technical specifications

| | |
|----------------------------|---|
| Dimensions (L x W x H) | 30 x 80 x 80 mm |
| Manufacturer's Warranty | 5 years |
| Settings via | Remote control, Potentiometers, Smart Remote |
| With remote control | No |
| Version | white |
| PU1, EAN | 4007841033149 |
| Type | Presence detector |
| Application, place | Indoors |
| Application, room | one-person office, corridor / aisle, function room / ancillary room, kitchenette, stairwell, WC / washroom, Indoors |
| Colour | white |
| Colour, RAL | 9010 |
| Includes corner wall mount | No |
| Installation site | wall |
| Installation | Concealed wiring, Wall |

| | |
|---|---|
| Mounting height | 1,10 – 1,20 m |
| Mounting height max. | 1,20 m |
| Optimum mounting height | 1,2 m |
| Detection angle | 180 ° |
| Angle of aperture | 90 ° |
| Sneak-by guard | Yes |
| Capability of masking out individual segments | No |
| Electronic scalability | Yes |
| Mechanical scalability | No |
| Reach, radial | r = 4 m (25 m ²) |
| Reach, tangential | r = 20 m (628 m ²) |
| Reach, presence | r = 4 m (25 m ²) |
| Switching zones | 96 switching zones |
| Functions | Switch active / switch inactive, Normal / test mode, Manual ON / ON-OFF |
| Twilight setting | 2 – 1000 lx |

IR 180 UNIVERSAL

white
EAN 4007841 033149
Article number 033149



Technical specifications

| | |
|--|--------------------------------|
| IP-rating | IP20 |
| Ambient temperature | 0 – 40 °C |
| Material | Plastic |
| Mains power supply | 220 – 240 V / 50 – 60 Hz |
| Switching output 1, resistive | 200 W |
| Switching output 1, number of LEDs / fluorescent lamps | 6 pcs. |
| Capacitive load in μF | 132 μF |
| Technology, sensors | passive infrared, Light sensor |

| | |
|----------------------------|----------------|
| Time setting | 30 s – 15 Min. |
| Basic light level function | No |
| Main light adjustable | No |
| Twilight setting TEACH | Yes |
| Constant-lighting control | No |
| Interconnection | No |

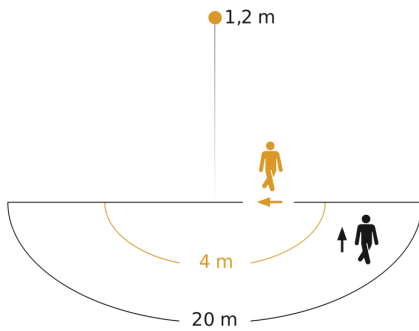
Accessories

| | |
|--------------------|-----------------------------|
| EAN 4007841 034160 | Adapter frame for IR/HF 180 |
| EAN 4007841 034184 | Adapter frame for IR/HF 180 |
| EAN 4007841 034139 | Adapter frame for IR/HF 180 |

IR 180 UNIVERSAL

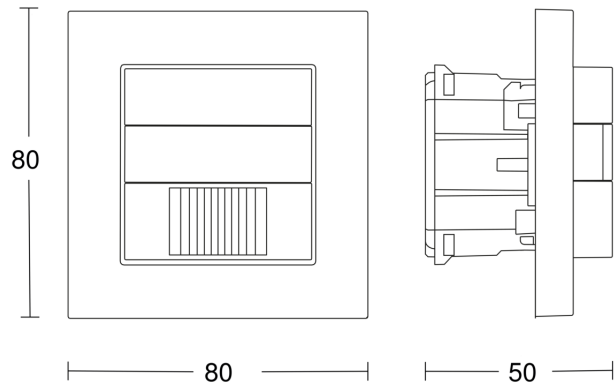
white
EAN 4007841 033149
Article number 033149

Detection Zone



Possible mounting height: 1,10 m - 1,20 m
Orange: radial
Black: tangential

Dimension Drawing



Master circuit diagram

