

# IR Quattro

COM2

EAN 4007841 000356



infrared sensor  
360°



max. 4 x 4 m  
presence

2000w

max. 2000 W



IP20



ideal 2.5 - 8 m



indoor sensor



iQ-mode

TEACH

Teach mode



energy saving

5 JAHRE  
HERSTELLER  
GARANTIE

manufacturer's  
warranty  
[steinel-professional.de/garantie](http://steinel-professional.de/garantie)

## Function description

Squaring the circle. Infrared presence detector Presence Control PRO IR Quattro COM2 for indoors, ideal for small offices, store, service and utility rooms, washrooms and WCs, installation height up to 8 m, for switching light as well as HVAC 'ON' and 'OFF', 1760 switching zones for excellent detection quality, square presence detection zone covering 16 m<sup>2</sup>, mechanically scalable.

## Technical specifications

Type	Presence detector
Dimensions (L x W x H)	76 x 120 x 120 mm
Mains power supply	230 V / 50 – 60 Hz
Sensor Technology	passive infrared
Application, place	Indoors
Application, place, room	one-person office, conference room / meeting room, duty room, recreation room, changing room, function room / ancillary room, kitchenette, Indoors
Installation site	ceiling
Installation	Concealed wiring
Switching zones	1760 switching zones
Electronic scalability	No
Mechanical scalability	Yes
Mounting height	2,50 – 8,00 m
Optimum mounting height	2,8 m
Detection angle	360 °
Sneak-by guard	Yes
Capability of masking out individual segments	No
Reach, radial	5 x 5 m (25 m <sup>2</sup> )
Reach, tangential	7 x 7 m (49 m <sup>2</sup> )
Reach, presence	4 x 4 m (16 m <sup>2</sup> )

Twilight setting TEACH	Yes
Twilight setting	10 – 1000 lx
Time setting	30 s – 30 Min.
Constant-lighting control	No
Basic light level function	No
Functions	Normal / test mode, Semi-/fully automatic, Pushbutton / switch mode, Manual ON / ON-OFF
Settings via	Remote control, DIP switches, Potentiometers, Smart Remote
With remote control	No
Interconnection	Yes
Type of interconnection	Master/slave, Master/master
IP-rating	IP20
Material	Plastic
Ambient temperature	-25 – 55 °C
Colour	white
Colour, RAL	9010
Manufacturer's Warranty	5 years
Version	COM2
PU1, EAN	4007841000356

# IR Quattro

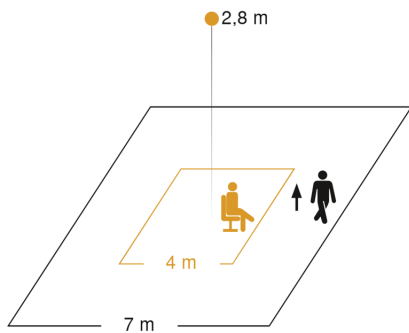
COM2

EAN 4007841 000356

## Accessories

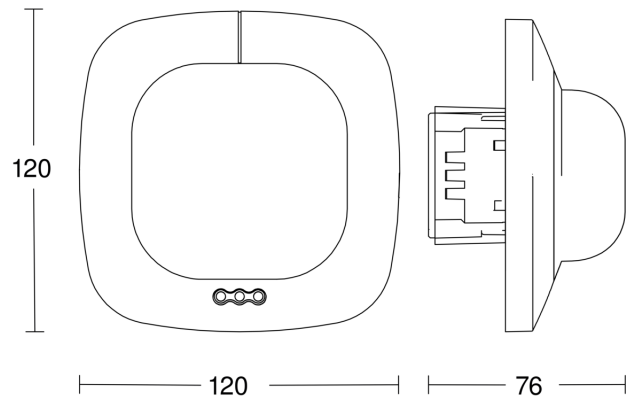
EAN 4007841 000363	Surface-mounting adapter Control PRO AP Box (IP54)
EAN 4007841 003036	Control PRO guard cage
EAN 4007841 009151	Remote control Smart Remote
EAN 4007841 559410	Service remote control RC8

## Detection Zone

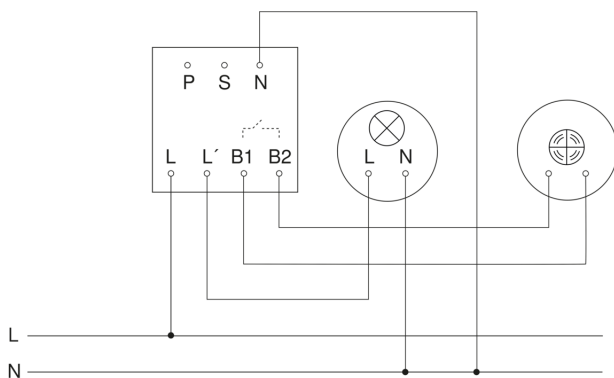


Mögliche Montagehöhe: 2,50 m – 8,00 m  
 Orange: Präsenz  
 Schwarz: tangential

## Dimension Drawing



## Master circuit diagram



## Master/slave interconnection circuit diagram

