

Sensor-switched outdoor light

L 190 S

black

EAN 4007841 644413

Article number 644413



Max. 100 W



infrared sensor
180°



max. 12 m



IP44



2 - 2000 lux



5 sec - 15 min



manual override 4h



ideal 2 m



energy saving

3 years

manufacturer's
warranty
steinel.de/
garantie3y

Function description

Timelessly elegant in every detail. Classic outdoor SensorLight L 190 S, ideal for prestigious outdoor spaces, 180° angle of coverage, reach can be set up to 12 m or up to 5 m, durable, lavishly ornamented die-cast aluminium, basic light-level function and soft light start.

Technical specifications

Dimensions (L x W x H)	147 x 217 x 335 mm	Angle of aperture	90 °
With lamp	No	Sneak-by guard	Yes
Manufacturer's Warranty	3 years	Capability of masking out individual segments	Yes
Settings via	Potentiometers	Electronic scalability	No
With remote control	No	Mechanical scalability	No
Version	black	Reach, radial	r = 5 m (39 m ²)
PU1, EAN	4007841644413	Reach, tangential	r = 12 m (226 m ²)
Application, place	Outdoors	Photo-cell controller	Yes
Application, room	outdoors, front door, all round the building, terrace / balcony, courtyard & driveway	Cover material	shrouds
Installation site	wall	Lamp	All-purpose lamp
Impact resistance	IK03	Base	E27
IP-rating	IP44	Soft light start	Yes
Protection class	II	Continuous light	selectable, 4h
Ambient temperature	-20 – 40 °C	Twilight setting	2 – 200 lx
Housing material	Aluminium	Time setting	5 s – 15 Min.
Cover material	Glass transparent	Basic light level function	Yes
		Interconnection	No

<https://www.steinel.de>

Subject to technical modifications

12.2022 Page 1 from 3

Sensor-switched outdoor light

L 190 S

black
EAN 4007841 644413
Article number 644413



Technical specifications

Mains power supply	230 – 240 V / 50 Hz	Basic light level function in per cent	0 – 50 %
Output	100 W	Basic light level function percentage, from	0 %
Power consumption	0,8 W	Basic light level function percentage, up to	50 %
Mounting height max.	4,00 m	Optimum mounting height	2 m
Slave modeselectable	No		

Accessories

EAN 4007841 000813	Glass set for L 190 S
EAN 4007841 002190	Replacement base unit for L 170 / L 190 S

Sensor-switched outdoor light

L 190 S

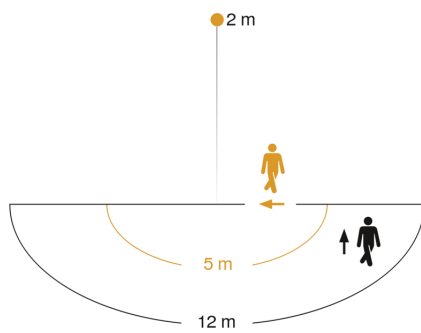
black

EAN 4007841 644413

Article number 644413



Detection Zone

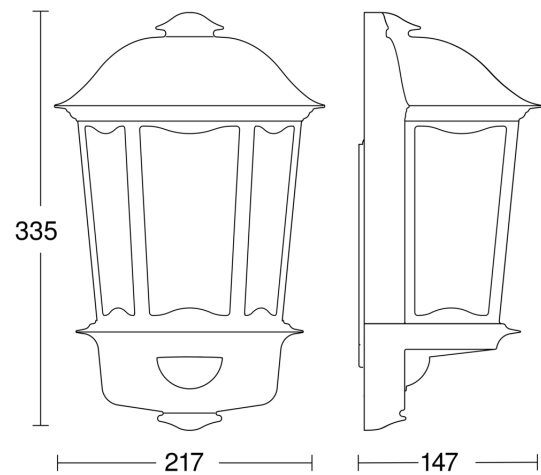


Mögliche Montagehöhe: 1,80 m – 4,00 m

Orange: radial

Schwarz: tangential

Dimension Drawing



Circuit diagram

