

Motion detector - Professional Line

IS 2360-3 ECO

EAN 4007841 057770



infrared sensor
360°



max. 12 m

2000w

max. 2000 W



IP54



2 - 1000 lux



5 sec - 15 min



energy saving

5 JAHRE
HERSTELLER
GARANTIE
5 years professional guarantee

manufacturer's
warranty
steinel-professional.de/garantie



CE

Function description

The multi-talent for indoors and outdoors. Infrared wall sensor IS 2360-3 ECO, 3 pyro sensors for a 360° angle of coverage, reach can be set up to 12 m, selectable time and twilight threshold, detection zone can be customised with shrouds.

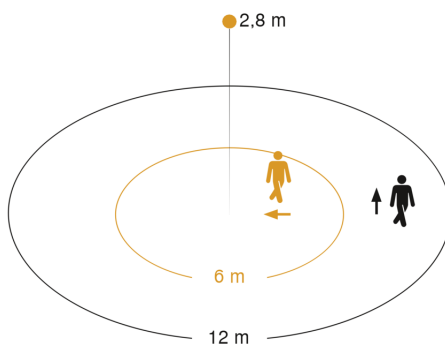
EAN 4007841 057770

Technical specifications

Type	Motion detectors
Dimensions (Ø x H)	121 x 57 mm
Mains power supply	220 – 240 V / 50 – 60 Hz
Power consumption	0,56 W
Sensor Technology	passive infrared
Application, place	Outdoors, Indoors
Application, place, room	corridor / aisle, changing room, function room / ancillary room, kitchenette, stairwell, WC / washroom, multi-storey / underground car park, outdoors, warehouse, Indoors
Installation site	ceiling
Installation	Surface wiring
Switching zones	972 switching zones
Electronic scalability	No
Mechanical scalability	No
Mounting height	2,50 – 6,00 m
Optimum mounting height	2,8 m
Detection angle	360 °
Angle of aperture	90 °
Sneak-by guard	Yes
Capability of masking out individual segments	Yes
Reach, radial	Ø 12 m (113 m ²)
Reach, tangential	Ø 24 m (452 m ²)

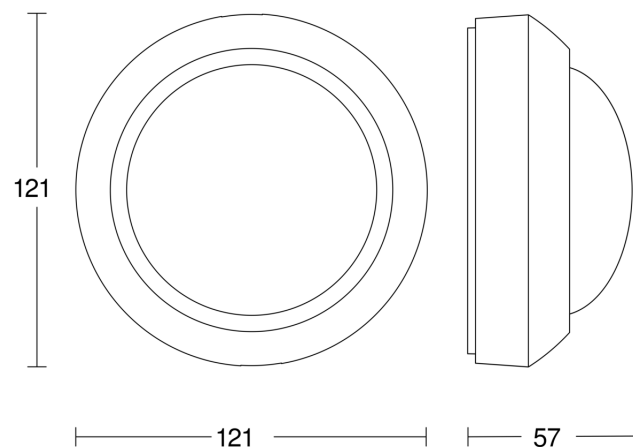
Twilight setting TEACH	No
Twilight setting	2 – 1000 lx
Time setting	5 s – 15 Min.
Switching output 1, resistive	2000 W
Switching output 1, number of LEDs / fluorescent lamps	8 pcs.
Switching output 1, floating	No
Constant-lighting control	No
Basic light level function	No
Settings via	Potentiometers
With remote control	No
Interconnection	Yes
Type of interconnection	Master/master
IP-rating	IP54
Material	Plastic
Ambient temperature	-20 – 50 °C
Colour	white
Colour, RAL	9010
IDs, certificates	VDE
Manufacturer's Warranty	5 years
PU1, EAN	4007841057770

Detection Zone



Mögliche Montagehöhe: 2,50 m – 6,00 m
 Orange: radial
 Schwarz: tangential

Dimension Drawing



Circuit diagram

