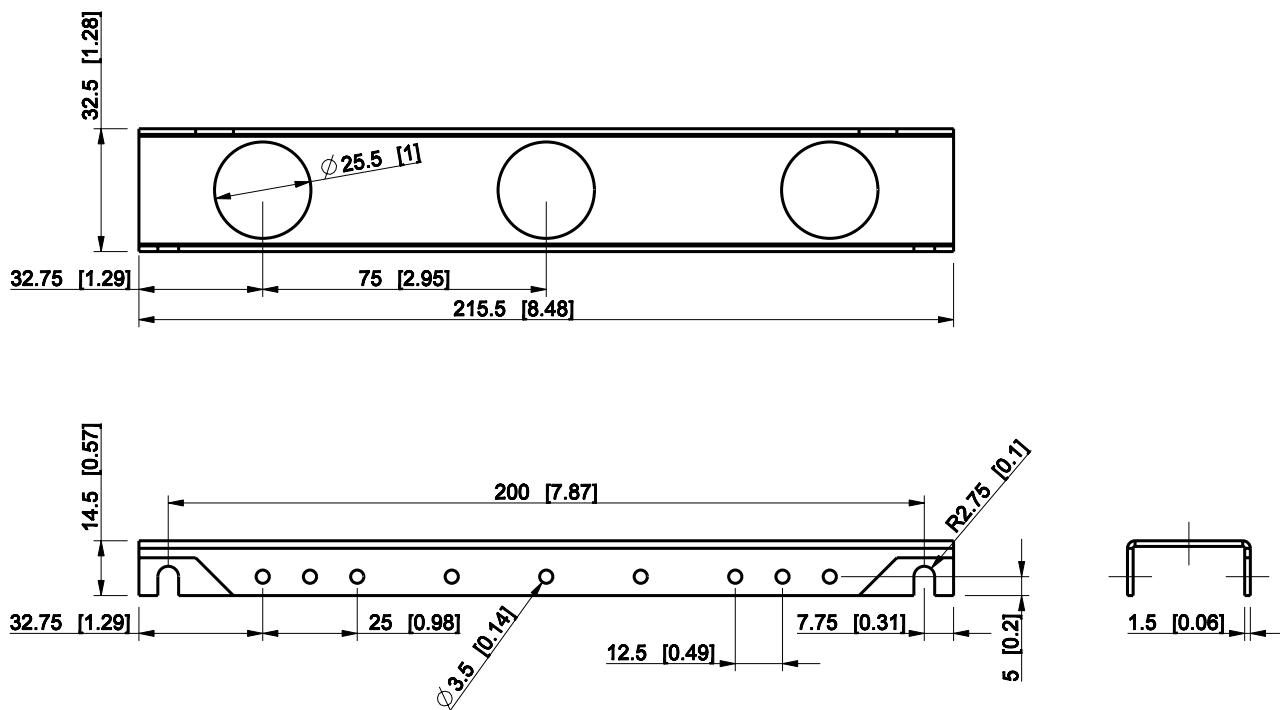


ID	Description	Date	By	Appr.
A				



Dimensions in mm [inches]

Material: Galvanized steel	Color: -
----------------------------	----------

Supplier:	Tool No:	Weight [kg]: 0.12	Volume:
-----------	----------	-------------------	---------

**ENSTO**  
ENSTO CONTROL OY

**PRE3.32**

Scale	Date	24.03.09
1:2	By	PLe
-	Checked	
-	Ctrl	

Replaces:	
Replaced:	
Drw No:	A
Ref:	Cubo C/O/P
Code:	PRE3.32
Sheet No:	

model PRE3\_32\_PART

drawing DR\_SP\_DRAWING