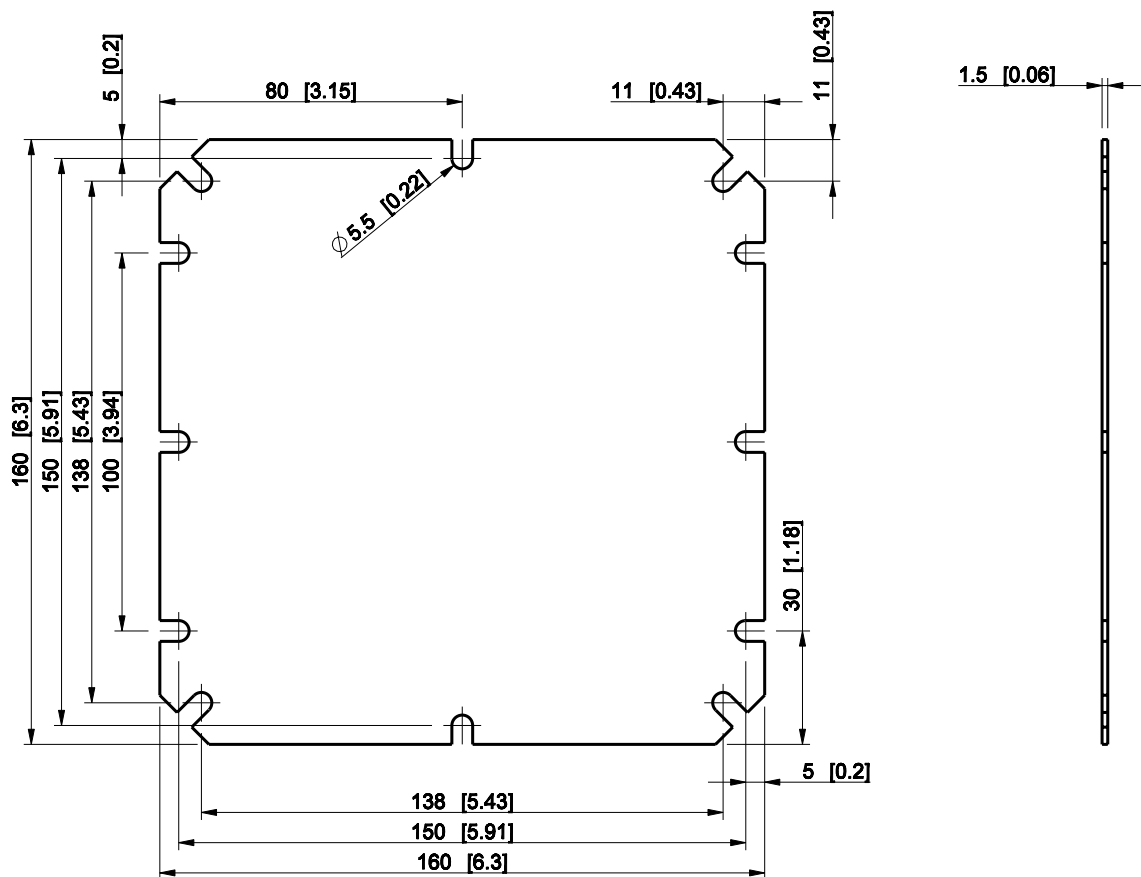


ID	Description	Date	By	Appr.
A				

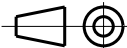


Dimensions in mm [inches]

Material: Galvanized steel	Color: -
----------------------------	----------

Supplier:	Tool No:	Weight [kg]: 0.29	Volume:
-----------	----------	-------------------	---------

**ENSTO**  
ENSTO CONTROL OY



**OMP2020**

Scale	Date	09.02.09
1:2	By	PLe
-	Checked	
-	Ctrl	

Replaces:	
Replaced:	
Drw No:	A
Ref:	Cubo O
Code:	OMP2020
Sheet No:	

model OMP2020\_PART  
drawing OMP\_DRAWING