



INSTALLATION & MAINTENANCE INSTRUCTIONS - ORIGINAL VERSION

AUTOMATIC AIR VALVE

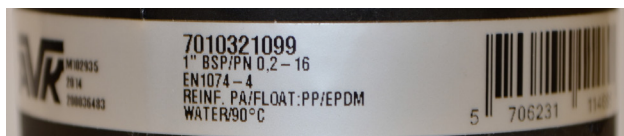
SERIES 701/10

1. GENERAL

1. Routine maintenance is necessary in a water supply system.
2. Routine maintenance is recommended once or twice a year, according to the quality and types of the fluids in the system.
3. Install the automatic air valve on a riser on the crown of the pipeline.
4. Install an isolating valve below the automatic air valve.



2. MARKING



Label:

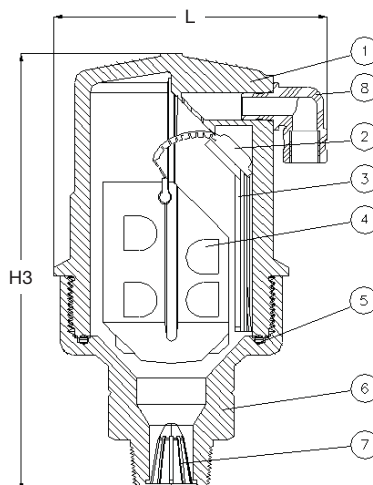
- Manufacturer
- Internal order number
- Unique serial number
- Item number
- Product specification
- EAN number in clear text and as bar code

3. MAINTENANCE

1. Shut the isolating valve below the air valve before servicing.
2. Be aware that the air valve is under pressure. Slowly turn the valve body (1) counterclockwise to release pressure, then unscrew and remove the body from the base (6).
3. Pull down to remove the clamping stem (3) from the body.
4. Pull down to remove the float (4) and rolling seal (2).
5. Wash the body, float, clamping stem, O-ring (5) and rolling seal under clean running water.
6. Check the state of the rolling seal to make sure it is not torn or cracked. Replace the rolling seal, if needed.
7. Wash the base and the filter (7) under clean running water.
8. Insert the float and the rolling seal assembly by inserting the free end of the rolling seal into the groove in the body and inserting the float into the two rails on the inside of the body.
9. While holding the float in this manner, insert the clamping stem (3) into the same groove as the rolling seal, making sure first to insert the end with the extension into the groove.
10. Push both the float and clamping stem downwards until they are even with the body.
11. Manually screw the body assembly into the valve base until it is tight.
Note: First be sure that the O-ring (5) is seated properly in the base (6).
12. Open the isolating valve after servicing.

4. PARTS LIST

1. Body
2. Rolling seal
3. Clamping stem
4. Float
5. O-ring
6. Base
7. Filter



Expect... **AVR**