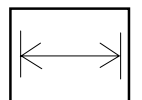
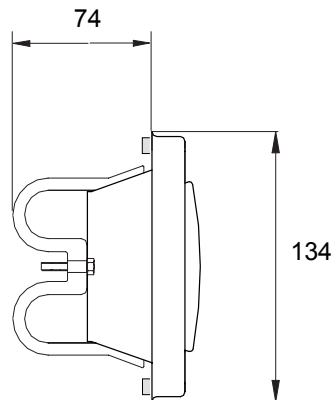
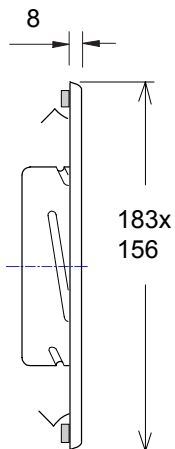
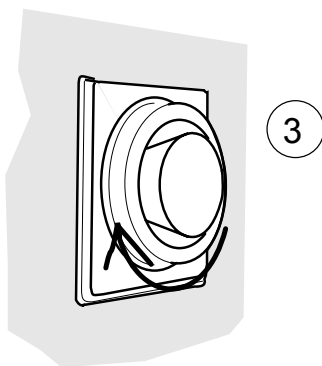
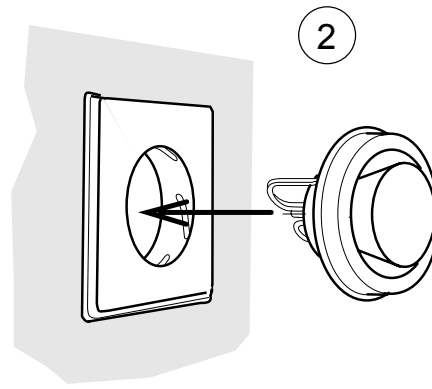
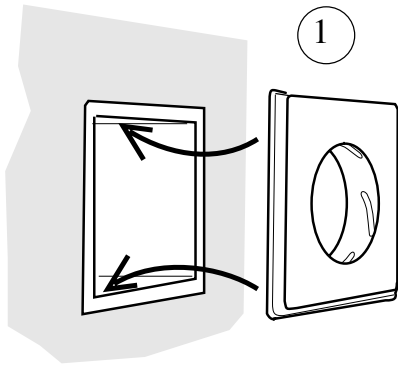
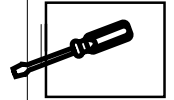
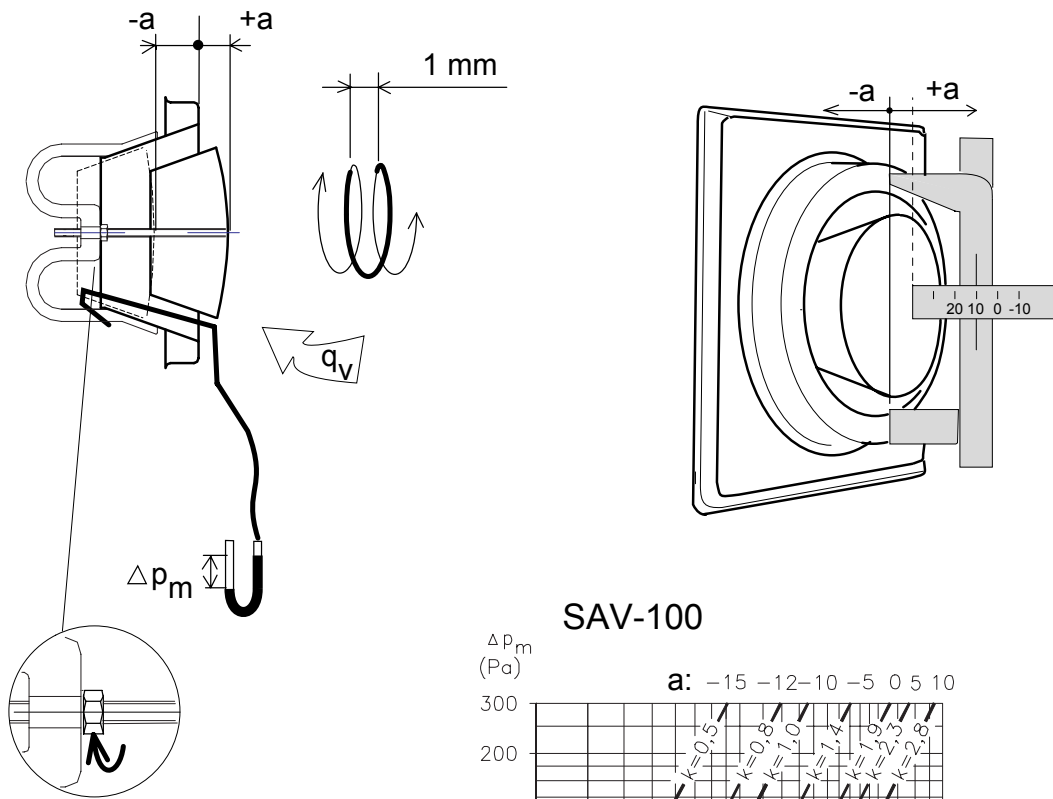
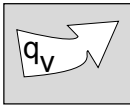


SAV



SAV



$$q_v = k \sqrt{\Delta p_m}$$

(l/s) (Pa)

SAV-100

