

Light is OSRAM

OSRAM GinoLED RGB Diffuse

Save energy in general illumination with robust and long endurance LED strips

GFDT400RGB-G1-RGB



Application areas

Outdoor or Indoor contour/border lighting
Architectural Outline/Decorative lighting
Cove/Accent lighting
Signage

Standards

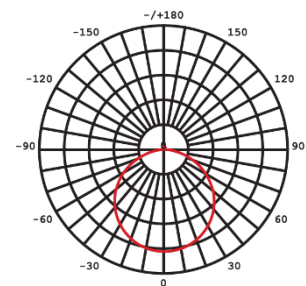
CE, RoHS

Features & Benefits

- 24V Constant Voltage Dimmable LED strip
- RGB with diffuse TOP view solution
- Luminous flux: Red 110lm/m, Green 210lm/m, Blue 60lm/m
- IP67 protection for outdoor application
- Continuous length up to 8m by powering one end
- Long lifetime: 50.000 hours @ Tc max
- 5 Years OSRAM Guarantee
- System solution in combination with OSRAM 24V Constant Voltage LED drivers, optional connectors, mounting accessories

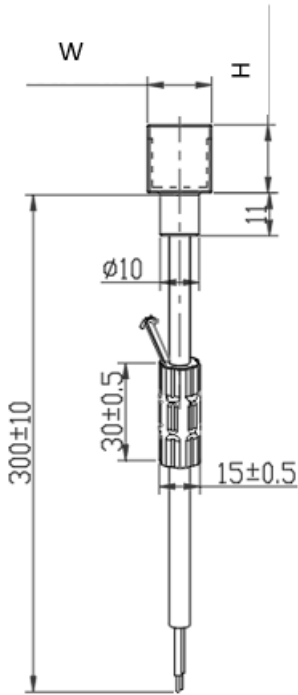
Main data

Nominal Voltage	24.0 V
Ambient temperature range (ta)	-40...+55 °C
Operating temperature range tc	-25...+70 °C
Storage temperature range	-40...+60 °C
Product cross section (excl. connector)	(W) 16.5 mm x (H) 17.5 mm



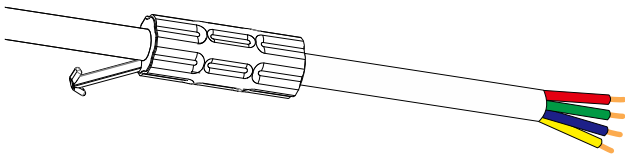
Beam Angle: 115°

Mechanical data



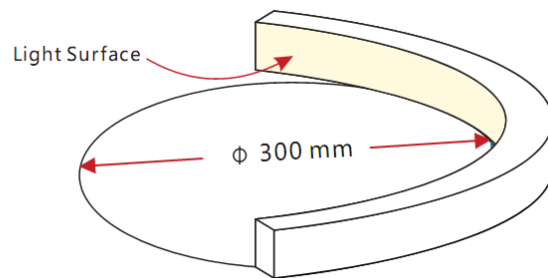
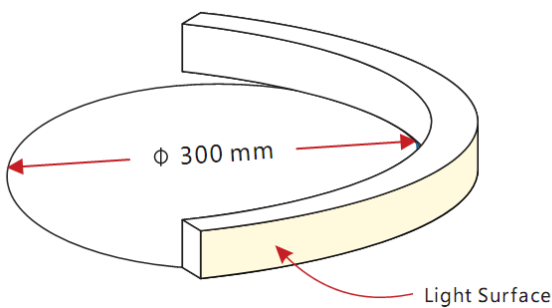
GFDT400RGB-G1-RGB-01			
	Length [mm]	Width W [mm]	Heigh H [mm]
Min.	995	16	16.5
Typ.	1000	16.5	17
Max.	1005	17	17.5

GFDT400RGB-G1-RGB-05			
	Length [mm]	Width W [mm]	Heigh H [mm]
Min.	995	16	16.5
Typ.	1000	16.5	17
Max.	1005	17	17.5

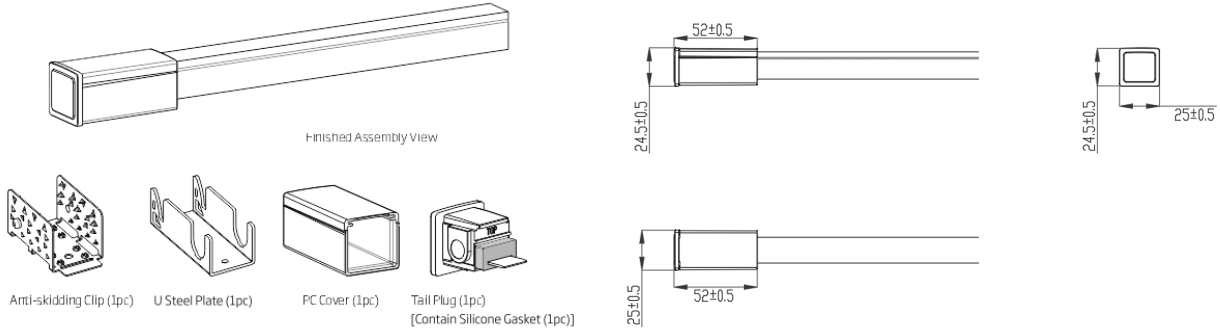


Cable Yellow: DC24V "+"
 Cable Red: Color Red
 Cable Green: Color Green
 Cable Blue: Color Blue

GFDT400RGB-G1-RGB TOP bending direction (yellow: light emitting surface)



Optional accessories



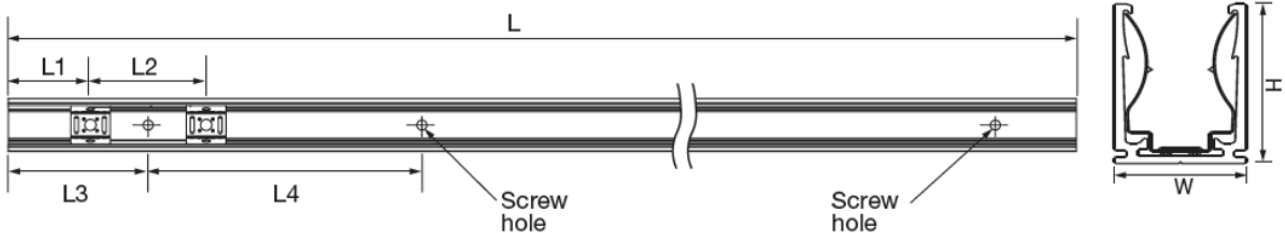
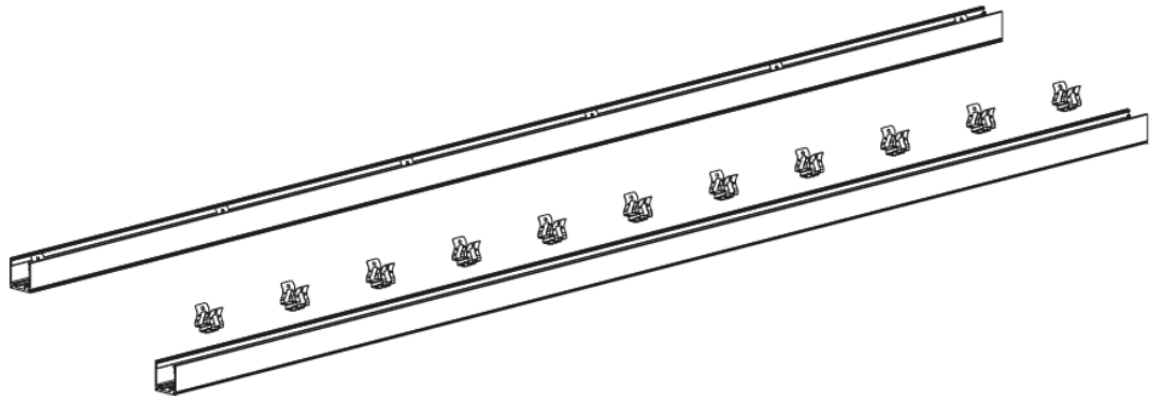
Clip: FX-GFPM-G1-TT-22H20-35



Note: Unless otherwise stated, the tolerance of the profile is ±0.5mm.

Clip No.	Hole No.	Screw Hole(mm)	L(mm)	L1(mm)	L3(mm)	L4(mm)	W(mm)	H(mm)
1	2	Ø3.5	35	17.5	5	25	20.7	22.3

Track: FX-GFPM-G1-TT-22H20-1000



Clip No.	Hole No.	Screw Hole(mm)	L(mm)	L1(mm)	L2(mm)	L3(mm)	L4(mm)	W(mm)	H(mm)
11	5	Ø3.5	1000	25	95	100	200	20.7	22.3

Technical data

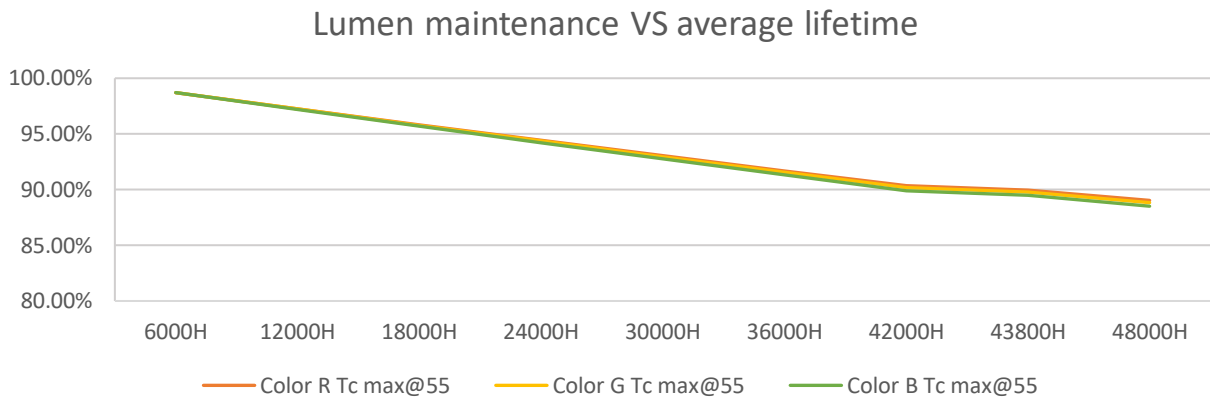
GENERAL

Dimmable	Pulse width modulation (PWM)
Dimming range	1...100%
Lifetime	50.000 hrs (L70B50 & L80B10, Tp rated)
Adhesive tape on backside	3M
Complementary systems	Connectors, Profiles and covers, OPTOTRONIC drivers and dimmers
Minimum bending radius	15 cm
Protection type	IP67
Classification acc. to IEC 62031	Built-in

REFERENCE DATA

GFDT	Wavelength color [nm]	lm/m	W/m	Performance @Ta=°C
GFDT400RGB-G1	Red ● 620-626	110	4.5	25
	Green ● 518-524	210	4.8	25
	Blue ● 466-472	60	5.7	25
	RGB	380	15	25

Luminous Flux maintenance according to Tp value



Note: Light flux varies with the temperature measured @Tc point; nominal values is given @Tc = Tp. Flux increases when Tc decreases .

Ordering Data

Product description	Product code (EAN10)	Dimensions (length x width x height)	Package content
GFDT400RGB-G1-RGB-01	4062172106337	225X 240X 120mm	1 x Led strip
GFDT400RGB-G1-RGB-05	4062172106351	225X 240X 120mm	1 x Led strip
FX-GF24-G1-ENDCAP	4062172106429	225X 240X 120mm	1 x endcap
FX-GFPM-G1-TT-22H20-35	4062172106375	225X 240X 120mm	1 x clp
FX-GFPM-G1-TT-22H20-1000	4062172106405	225X 240X 120mm	1 x aluminum profile

Disclaimer

- The LED module itself and all its components may not be mechanical stressed.
- Assembly must not damage or destroy conducting paths on the circuit board.
- To avoid mechanical damage to the connecting cables, the module should be attached securely to the fixture. Heavy vibration should be avoided.
- Installation of LED modules with (power supplies) needs to be made with regard to all applicable electrical and safety standards. Only qualified personnel should be allowed to perform installation.
- The module net weigh is 365g.
- Please ensure that the power supply is of adequate power to operate the total load.
- The module needs to connect with constant Voltage DC driver which must has stable constant Voltage (+/-3% tolerance suggested) output.
- Electrical contact is achieved with the contact cables.
- The design of the housing should be according to the IP standards in the application.
- Pay attention to standard ESD precautions when installing the module.
- If surge protection structure not within power supplier, a lightning protector should be needed additionally for outdoor application.
- For China or Europe market, The module only applied to Class III Luminaire.
- tc max value is 70-degree, higher tc application is not recommended.
- Subject to change without notice. Errors and omission excepted. Make sure to use the most recent release. All values are average typical and cannot be used as reference for compliance tests. Always refer to the official data on web site: www.osram.com

OSRAM GmbH

Head Office:

Marcel-Breuer-Strasse 6
 80807 Munich, Germany
 Phone +49 89 6213-0
 Fax +49 89 6213-2020
www.osram.com