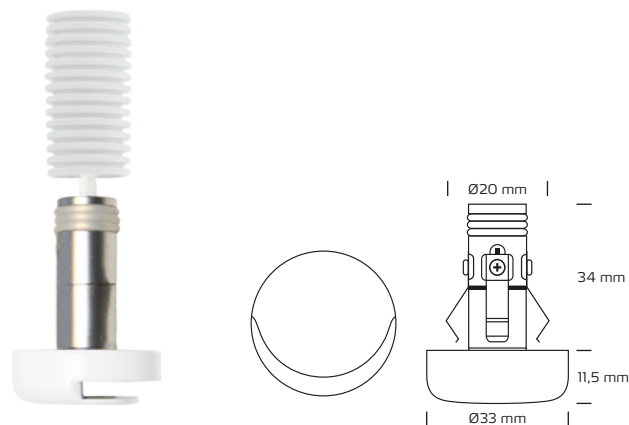
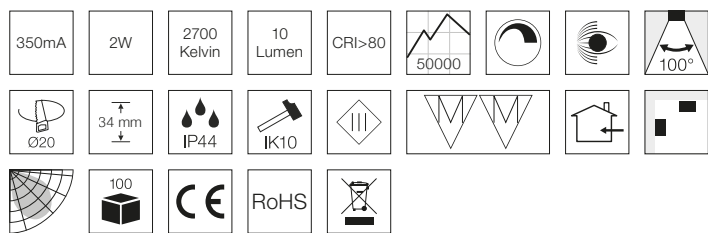


# Anthea 2W, 2700K

## Technical data

Amperage	350mA
System effect	2W
Light source	LED
Colour temperature	2700 Kelvin
Light intensity	10 Lumen
Colour rendering	CRI>80
Expected lifespan	50,000 hours
Dimmable	Depends on driver
Flicker free	Yes, according to the new Ecodesign / ErP directive (September 2021)
SVM <0.4	Yes
PstLM <1	Yes
SDCM	≤2
Beam angle	100°
Carving dimensions	Ø20 mm
Installation height	34 mm
Exterior dimensions	Ø33 mm
Possibility of through wiring	No
IP-class	IP44 (is intended for installation in areas 1 and 2)
IK-class	IK10
Insulation class	Class III
Material	Aluminium
Environment	Indoors
Warranty	2 years with Nordtronic
Approvals	CE



\*The drawing is not drawn to scale

## Product information

- Approved for installation directly in the insulation and flammable materials
- Dimmable with Nordtronic LED driver
- Incl. 3 meter cable with plug
- Quick and easy mounting
- Possibility of mounting in 16 mm flex tube
- Designed and developed in Denmark

NB: Always use cables of a type approved for permanent installation according to the current legislation. If the cables are in contact with the lamp cover, use cables with an operating temperature of at least 70° C.

Item no.	EAN no.	Colour	Front design
18111012	5704629000704	Matt white	Round
18111022	5704629000711	Brushed alu	Round
18111092	5704629000728	Matt black	Round

## Accessories

Item no.	EAN no.	Variant
1872	5704629018723	LED Driver dimmable, 5-16W
1883	5704629018839	LED Driver non dimmable, 2-20W
1875	5704629018754	Extention cable 2 m