



UVC-6130-1-P2

UltraView™ 650TVL WDR Box Camera

Introduction

The UltraView™ 650TVL WDR box camera is a video surveillance camera, which provides a crisp 650TVL high resolution and excellent 0.01 lux sensitivity.

Using the latest CCD sensors and DSP technology, the UltraView™ WDR Cam offers both 650TVL resolution and 0.01 lux low light sensitivity at the same time.

Based on dual shutter Wide Dynamic Range technology, the camera can acquire natural images with fewer blown-out highlights and hidden shadows under the most difficult lighting conditions. Its Adaptive Tone Reproduction –EX (ATR-EX) function utilizes a single shutter exposure frame with precise calculations leveraging the camera's a powerful DSP.

The UltraView™ box camera is designed for most indoor and outdoor circumstance with its advantages of high resolution and well-balanced spectral sensitivity, without compromising saturation and color accuracy. The IR cut filter along with intelligent algorithms optimize the Day/Night switch performance and eliminate annoying back-and-forth cycles under challenging lighting conditions.

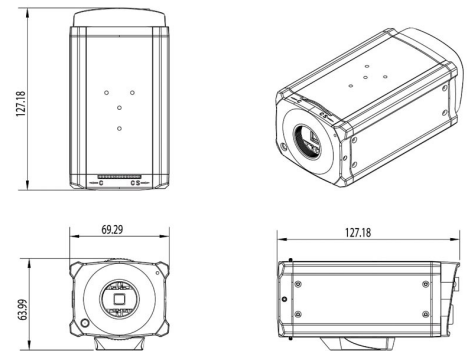


-
- 650TVL WDR box camera
 - 1/3" Super HAD CCD II
 - 0.5 lux @ F1.2 (50IRE)
 - WDR, ATR, 2DNR, 3DNR, HLC
 - True Day/Night
 - Motorized IR Cut Filter
 - 96-240V mains power
 - Fits existing housings, brackets & lenses

UVC-6130-1-P2

UltraView™ 650TVL WDR Box Camera

Camera	
Sensor Size:	1/3
Sensor Scan:	Interlaced
Sensor Type:	Super HAD CCD II / SONY
DSP:	Effio P / SONY
Total pixels (H x V):	NTSC:1020(H) x 508(V) / PAL:1028(H) x 596(V)
Effective pixels (H x V):	NTSC:976 (H) x 494(V) / PAL:976 (H) x 582(V)
Resolution (color):	650TVL
Resolution (B&W):	660TVL
Synchronization system:	Internal
Electronic shutter:	Auto 1/60 (1/50) ~ 1/100 000 sec
Digital S/N ratio:	52dB (AGC Off)
Video signal:	1.0 Vp-p / 75 ohm composite
Certification:	FCC,CE
Lighting performance	
Wide Dynamic Range:	ATR+WDR
WDR in dB:	112
Digital Noise reduction:	2DNR + 3DNR
Highlight compensation (HLC):	Yes
Day/Night:	True Day/Night
Motorized IR Cut Filter:	Yes
Color sensitivity:	0.55 lux@F1.2 (50IRE)
B/W sensitivity:	0.5 lux@F1.2 (50IRE)
Housing	
Camera type:	Box
Outdoor:	No
Rugged:	No
Vandal proof:	No
Lens	
Mount type:	C/CS
Control type:	DC
Varifocal:	Yes
Autoiris:	Yes
Power consumption	
PSU included:	No
Voltage Input:	96VAC to 240VAC
Current:	110VAC / 51mA - 220VAC / 37mA
Power Consumption:	110VAC / 2.7W - 220VAC /3W
Audio	
Audio:	yes
Built-in Microphone:	Yes
Camera analytics	
Motion Detection:	Yes
Privacy Masking:	Yes
Alarm	
Alarm Input:	No
Alarm Output:	No
Mechanical / Environmental	
Dimensions:	127.2 x 69.3 x 52.3 mm (5.0 x 2.7 x 2.0 in.)
Weight:	560 g (1.23 lb.)
Operating Temperature:	-10 to 50°C (14 to 122°F)
Storage Temperature:	-20 to 70°C (-4 to 158°F)



UVC-6130-1-P2

UltraView™ 650TVL WDR Box Camera



UTC Fire & Security

A United Technologies Company