



Product Data Sheet

TVC-5125BE-3-P

TruVision™ 550TVL IR Bullet Camera

Introduction

The TruVision™ 550 TVL IR bullet camera supplies the most essential and common features with the mainstream specification in market, such as 550 TVL resolution, good sensitivity (0.5 lux) and IR illumination for enhanced low-light performance. Customers do not need to compromise video quality or break their budgets. TruVision series cameras are general-purpose high resolution cameras with full features for different video surveillance applications.



Standard Features

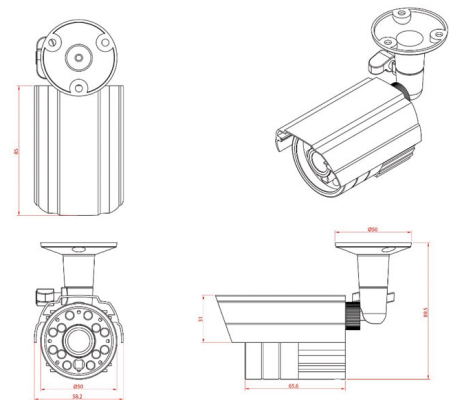
- 550TVL IR bullet camera
- 1/3" CMOS Sensor
- 3.6 mm fixed lens
- 0 lux with IR on
- 10m IR illumination
- Motorized IR cut filter
- 12 VDC
- Outdoor IP67 rated

TVC-5125BE-3-P

TruVision™ 550TVL IR Bullet Camera

Specifications

Camera	
Sensor Size:	1/3
Sensor Scan:	Interlaced
Sensor Type:	PC1089K CMOS / Pixel plus
DSP:	PC1089K CMOS / Pixel plus
Total pixels (H x V):	NTSC/PAL: 762 (H) x 504(V)
Effective pixels (H x V):	NTSC/PAL: 728 (H) x 488 (V)
Resolution (color):	550TVL
Resolution (B&W):	560TVL
Synchronization system:	Internal
Electronic shutter:	Auto 1/60 (1/50) ~1/100,000 sec
Digital S/N ratio:	>50 dB
Video signal:	1.0 Vp-p / 75 ohm composite
Certification:	FCC,CE
Lighting performance	
Day/Night:	True Day/Night
Motorized IR Cut Filter:	Yes
Color sensitivity:	1.5 lux@F1.2 (50IRE)
B/W sensitivity:	1.5 lux@F1.2 (50IRE)
IR sensitivity:	0 Lux with IR on
IR Range:	15m
IR Wavelength:	850nm
B/W trigger:	7lux ± 3lux IR ON / OFF
IR trigger:	7lux ± 3lux IR ON / OFF
Housing	
Camera type:	Bullet
IP rating:	IP67
Outdoor:	Yes
Rugged:	No
Vandal proof:	No
Lens	
Mount type:	Fixed
Control type:	Man
Varifocal:	No
Focal length:	3.6mm
F-stop:	F1.2
Autoiris:	No
Power consumption	
PSU included:	No
Voltage Input:	12VDC
Current:	175 mA(IR on)
Power Consumption:	2W (Max)
Camera analytics	
Motion Detection:	No
Privacy Masking:	No
Alarm	
Alarm Input:	No
Alarm Output:	No
Mechanical / Environmental	
Dimensions:	50 x 55 x 65 mm (1.9 x 2.16 x 2.56 in.)
Weight:	320 g (0.7lb.)
Operating Temperature:	-10 to 50°C (14 to 122°F)
Storage Temperature:	-20 to 70°C (-4 to 158°F)



Ordering Information

Part No.	Description
TVC-5125BE-3-P	TruVision™ 550TVL IR Bullet Camera

