



Product Data Sheet

TVC-5120-1-P

TruVision™ 550TVL Box Camera

Introduction

The TruVision™ 550 TVL box camera supplies the most essential and common features with the mainstream specification in market, such as 550 TVL resolution and good sensitivity (0.5 lux). Customers do not need to compromise video quality or break their budgets.

TruVision series cameras are general-purpose high resolution cameras with full features for different video surveillance applications.



Standard Features

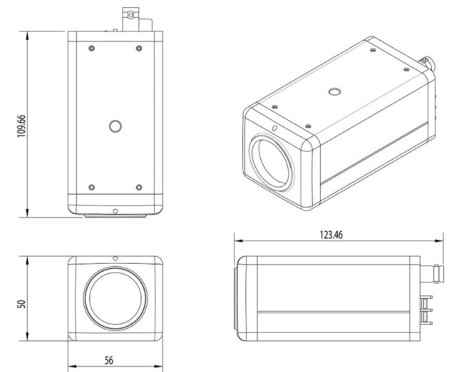
- 550TVL box camera
- 1/3" CCD Sensor
- 0.3 lux @ F2.0 (50IRE)
- True Day/Night
- Motorized IR cut filter
- 12 VDC
- Fits existing housings, brackets & lenses

TVC-5120-1-P

TruVision™ 550TVL Box Camera

Specifications

Camera	
Sensor Size:	1/3
Sensor Scan:	Interlaced
Sensor Type:	Super HAD CCD II / SONY
DSP:	NVP 2010/Nextchip
Total pixels (H x V):	NTSC:811(H) x 508(V) / PAL:795(H) x 596(V)
Effective pixels (H x V):	NTSC:768(H) x 494(V) / PAL:752(H) x 582(V)
Resolution (color):	550TVL
Resolution (B&W):	560TVL
Synchronization system:	Internal
Electronic shutter:	Auto 1/60 (1/50) ~1/100,000 sec
Digital S/N ratio:	52dB (AGC OFF)
Video signal:	1.0 Vp-p / 75 ohm composite
Certification:	FCC,CE
Lighting performance	
Day/Night:	True Day/Night
Motorized IR Cut Filter:	Yes
Color sensitivity:	0.35 lux@F2.0 (50IRE)
B/W sensitivity:	0.3 lux@F2.0 (50IRE)
Housing	
Camera type:	Box
Outdoor:	No
Rugged:	No
Vandal proof:	No
Lens	
Mount type:	C/CS
Control type:	DC
Varifocal:	No
Autoiris:	Yes
Power consumption	
PSU included:	No
Voltage Input:	12VDC
Current:	85 mA
Power Consumption:	1 (Max)
Camera analytics	
Motion Detection:	No
Privacy Masking:	No
Alarm	
Alarm Input:	No
Alarm Output:	No
Mechanical / Environmental	
Dimensions:	56 x 50 x 125.7 mm (2.2 x 4.9 x 4.95 in.)
Weight:	305 g (0.67 lb.)
Operating Temperature:	-10 to 50°C (14 to 122°F)
Storage Temperature:	-20 to 70°C (-4 to 158°F)



Ordering Information

Part No.	Description
TVC-5120-1-P	TruVision™ 550TVL Box Camera

