



## Product Data Sheet

# TVD-DOME6-HR-P

TruVision™ Dome, PAL, 600 TVL, Color

The TruVision dome camera provides outstanding video surveillance performance while offering a cost effective security solution. Equipped with a varifocal lens and engineered for superior resolution, this camera delivers crisp, detailed images while being flexible enough to meet the needs of most applications.

Small and lightweight, the TruVision plastic dome camera represents a strong value for users looking for reliable security in smaller venues. With 600TVL color and a 2.6mm–6.0mm autoiris lens, this TruVision dome is well suited to secure a variety of applications including quick-service restaurants, retail and smallbusiness environments.



### Standard Features

- Superior image performance
- 600 TVL color
- Flexible form factor
- Varifocal auto-iris lens
- 0.2 lux @ F2.0
- 2.6mm to 6.0mm AI lens
- 12VDC or 24VAC power input

# TVD-DOME6-HR-P

TruVision™ Dome, PAL, 600 TVL, Color

## Specifications

### Signal system

- PAL/CCIR

### Image sensor

- 1/3 in. interline transfer Sony CCD

### Picture elements

- PAL:795(H) x 596(V)

### Scanning system

- 625 lines, 50 fields (PAL/CCIR)-2:1 interface

### Signal-to-noise ratio

- > 48 dB

### Resolution

- 600 TVL

### Sensitivity

- 0.2 lux @ f2.0

### White balance

- Automatic

### AGC

- ON

### Synchronization

- Internal Sync

### Video output

- 1.0 V p-p 75 ohm unbalanced

### Electronic shutter

- AES 1/50 (1/60 sec) to 1/100,000 sec

### Power supply

- 12 VDC (500 mA) or 24 VAC (500 mA)

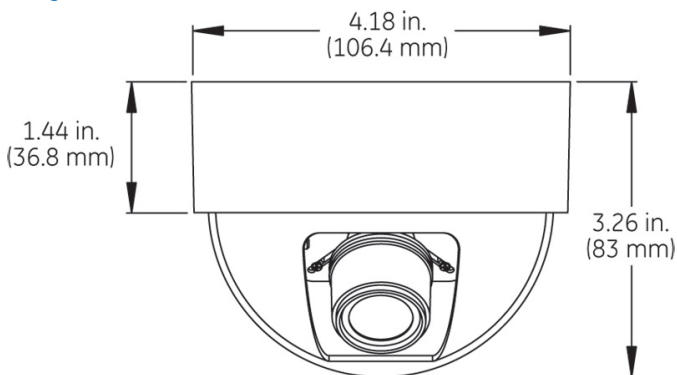
### Power consumption

- < 3 W (max); 230mA / 210mA (max), 12 VDC/24 VAC

### Environmental

- Weight: 225 g/370 g (N.W./G.W.)
- Dimensions: 4.18 x 3.26 in. (106.4 x 83 mm)
- Operating temperature: -10°C to 50°C

## Diagram



## Ordering Information

TVD-DOME6-HR-P

TruVision™ Dome, PAL, 600 TVL, Color, 2.6mm–6.0mm  
AI lens, 12VDC or 24VAC

