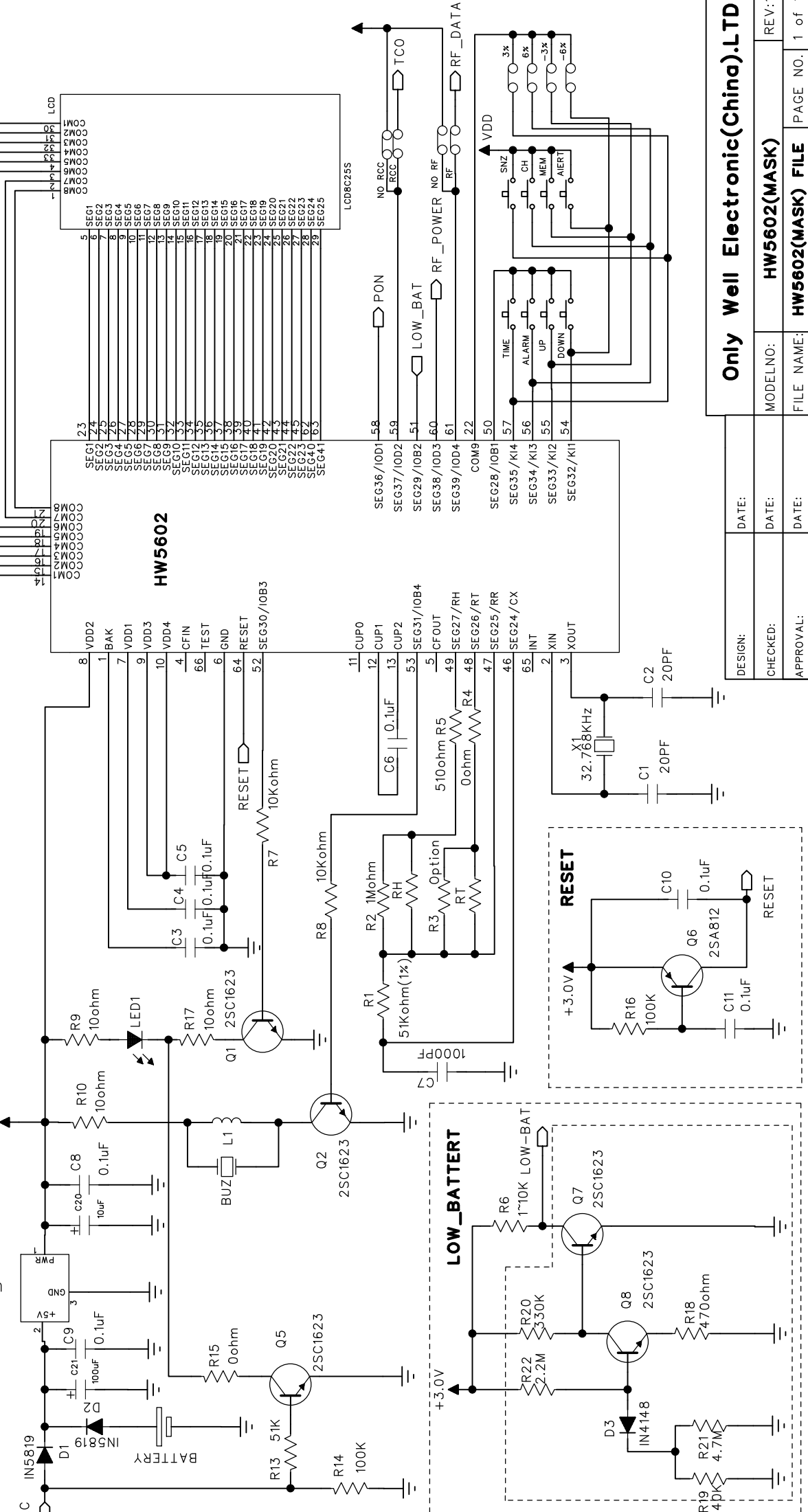
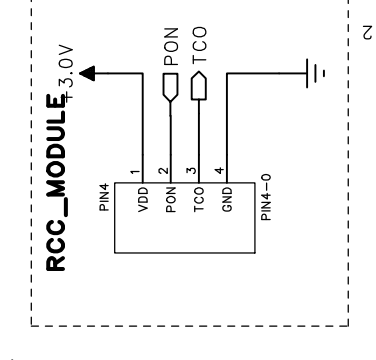
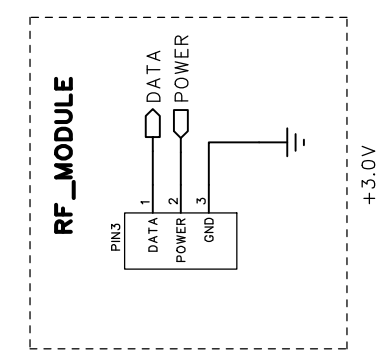
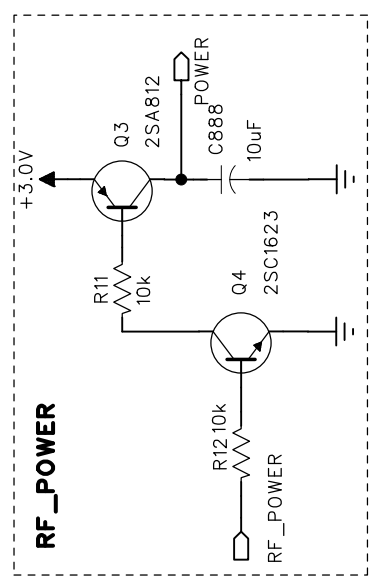


REV	ECO/Reason	REVISION RECORD
0	Release for production	APPROVED DATE



Only Well Electronic(China).LTD

DESIGN: DATE: MODELNO: HW5602(MASK) FILE NAME: HW5602(MASK) FILE PAGE NO. 1 of 1

CHECKED: DATE: APPROVAL: DATE: