



TIEMME

COLLETTORI CON VALVOLE A SFERA Manifolds with ball valves

Serie NINO

Collettori "NINO" con attacchi 1/2"x16 e valvola a sfera.

Manifold "NINO" with connections 1/2"x16 and ball valve.

I collettori di distribuzione "NINO" sono generalmente utilizzati nelle reti di distribuzione di acqua calda e fredda. Grazie alla loro configurazione permettono l'alimentazione in parallelo delle utenze per acqua calda e/o fredda riducendo al minimo le perdite di carico.

I collettori sono prodotti in conformità alle normative in materia e sono certificati relativamente alla composizione chimica dei materiali impiegati ed a livello dimensionale.

The distribution manifolds "NINO" are typically used for hot and cold water distribution.

Due to the configuration they may be used to distribute cold/hot water in parallel reducing at minimum the pressure drop.

The manifolds are produced according to the relevant rules and are certified for material chemical composition and dimensional request.



Per la gamma completa vedere il catalogo / For complete range see catalogue



Certificazioni / Certifications

Caratteristiche Tecniche

Temperatura max di esercizio: 110°C
Temperatura min di esercizio: -20°C
Pressione max di esercizio: 16 bar
Filettature : maschio UNI ISO 7/1 R conica
femmina UNI ISO 7/1 Rp cilindrica

Technical Features

Maximum temperature: 110°C
Minimum temperature: -20°C
Maximum operating pressure: 16 bar
Threads: male UNI ISO 7/1 R conical
female UNI ISO 7/1 Rp parallel

Descrizione

Corpo: Ottone CW617N - EN12165
Sfera: Ottone CW617N - EN12164
Stelo: Ottone CW617N - EN12164
O-rings: Gomma nitrilica NBR
Guarnizioni laterali: P.T.F.E.
Leva: Alluminio
Vite: Acciaio

Materiale

Trattamento

-
Cromata
-
-
-
Verniciata rossa o blu
-

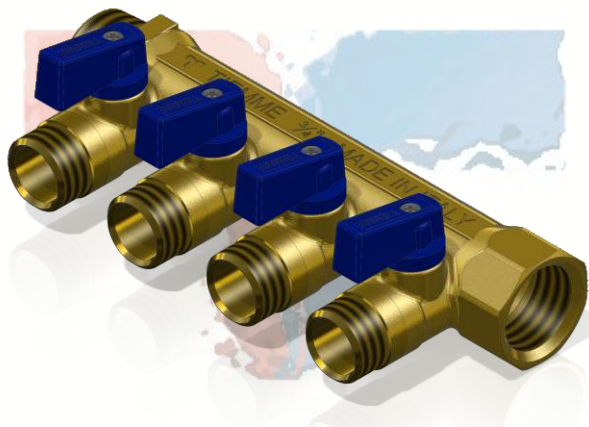
Description

Body: CW617N-EN12165 brass
Ball: CW617N-EN12164 brass
Stem: CW617N-EN12164 brass
O-rings: Nitrile Rubber NBR
Side washers: P.T.F.E.
Handle: Aluminium
Screw: Steel

Material

Treatment

-
Chrome plated
-
-
-
Painted red or blue
-



TIEMME Raccorderie S.p.A.
Via Cavallera 6/A (Loc. Barco) - 25045 Castegnato (Bs) - Italy
Tel +39 030 2142211 R.A. - Fax +39 030 2142206
info@tiemme.com - www.tiemme.com



©TIEMME Raccorderie S.p.A. NINO Rev. G 03-13

TIEMME Raccorderie S.p.A. si riserva di apportare modifiche in qualsiasi momento senza preavviso.
TIEMME Raccorderie S.p.A. reserves the right to modify contents in any time without prior advise.
È vietata qualsiasi forma di riproduzione, se non autorizzata.
Is forbidden any reproduction unless under TIEMME authorization

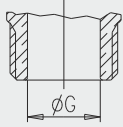




TIEMME

COLLETTORI CON VALVOLE A SFERA Manifolds with ball valves

Serie NINO



Art. 18...CP

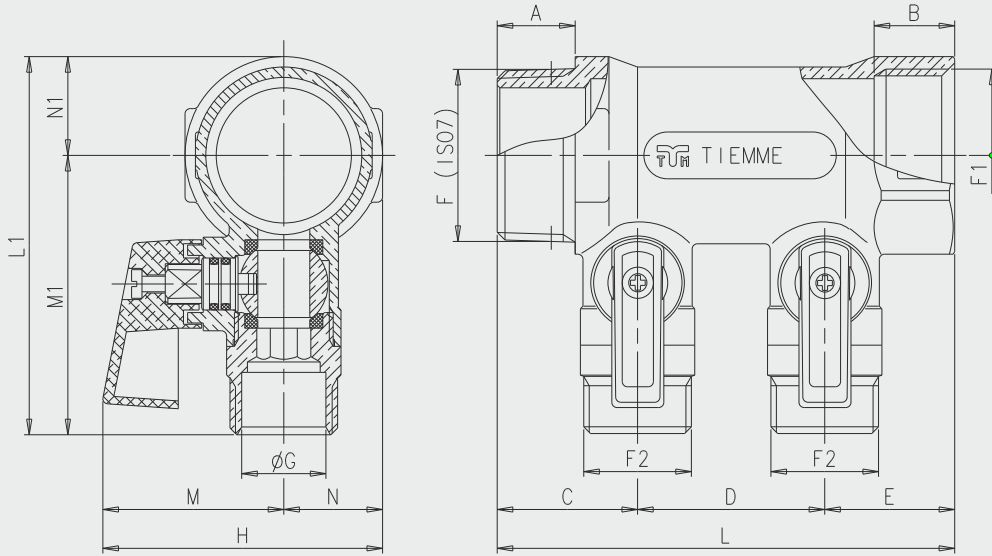


Tabella dimensioni

Sizes table

| Codice/Code | Size | A | B | C | D | E | F | F1 | F2 | G | H | L | L1 | M | M1 | N | N1 |
|--|------|------|------|------|------|------|------|------|------|------|------|-------|------|------|------|------|------|
| 1822G160402 1820002 | 3/4" | 16,5 | 16,5 | 28,5 | 36,0 | 27,0 | 3/4" | 3/4" | 1/2" | 16,2 | 51,0 | 91,5 | 66,5 | 35,0 | 50,5 | 16,0 | 16,0 |
| 1823G160403 1820001 | 3/4" | 16,5 | 16,5 | 28,5 | 36,0 | 27,0 | 3/4" | 3/4" | 1/2" | 16,2 | 51,0 | 127,5 | 66,5 | 35,0 | 50,5 | 16,0 | 16,0 |
| 1824G160404 1820016 | 3/4" | 16,5 | 16,5 | 28,5 | 36,0 | 27,0 | 3/4" | 3/4" | 1/2" | 16,2 | 51,0 | 163,5 | 66,5 | 35,0 | 50,5 | 16,0 | 16,0 |
| 1832G160402 1820006 | 1" | 17,0 | 17,0 | 29,0 | 36,0 | 27,0 | 1" | 1" | 1/2" | 16,2 | 54,0 | 92,0 | 72,5 | 35,0 | 53,5 | 19,0 | 19,0 |
| 1833G160403 1820005 | 1" | 17,0 | 17,0 | 29,0 | 36,0 | 27,0 | 1" | 1" | 1/2" | 16,2 | 54,0 | 128,0 | 72,5 | 35,0 | 53,5 | 19,0 | 19,0 |
| 1822G140402CP 1820009 | 3/4" | 16,5 | 16,5 | 28,5 | 36,0 | 27,0 | 3/4" | 3/4" | 1/2" | 14,0 | 51,0 | 91,5 | 66,5 | 35,0 | 50,5 | 16,0 | 16,0 |
| 1823G140403CP 1820008 | 3/4" | 16,5 | 16,5 | 28,5 | 36,0 | 27,0 | 3/4" | 3/4" | 1/2" | 14,0 | 51,0 | 127,5 | 66,5 | 35,0 | 50,5 | 16,0 | 16,0 |
| 1832G140402CP 1820014 | 1" | 17,0 | 17,0 | 29,0 | 36,0 | 27,0 | 1" | 1" | 1/2" | 14,0 | 54,0 | 92,0 | 72,5 | 35,0 | 53,5 | 19,0 | 19,0 |
| 1833G140403CP 1820013 | 1" | 17,0 | 17,0 | 29,0 | 36,0 | 27,0 | 1" | 1" | 1/2" | 14,0 | 54,0 | 128,0 | 72,5 | 35,0 | 53,5 | 19,0 | 19,0 |

TIEMME Raccorderie S.p.A. si riserva di apportare modifiche in qualsiasi momento senza preavviso.
 TIEMME Raccorderie S.p.A. reserves the right to modify contents in any time without prior advise.
 È vietata qualsiasi forma di riproduzione, se non autorizzata.
 Is forbidden any reproduction unless under TIEMME autorization



TIEMME Raccorderie S.p.A.
 Via Cavallera 6/A (Loc. Barco) - 25045 Castagnato (Bs) - Italy
 Tel +39 030 2142211 R.A. - Fax +39 030 2142206
 info@tiemme.com - www.tiemme.com





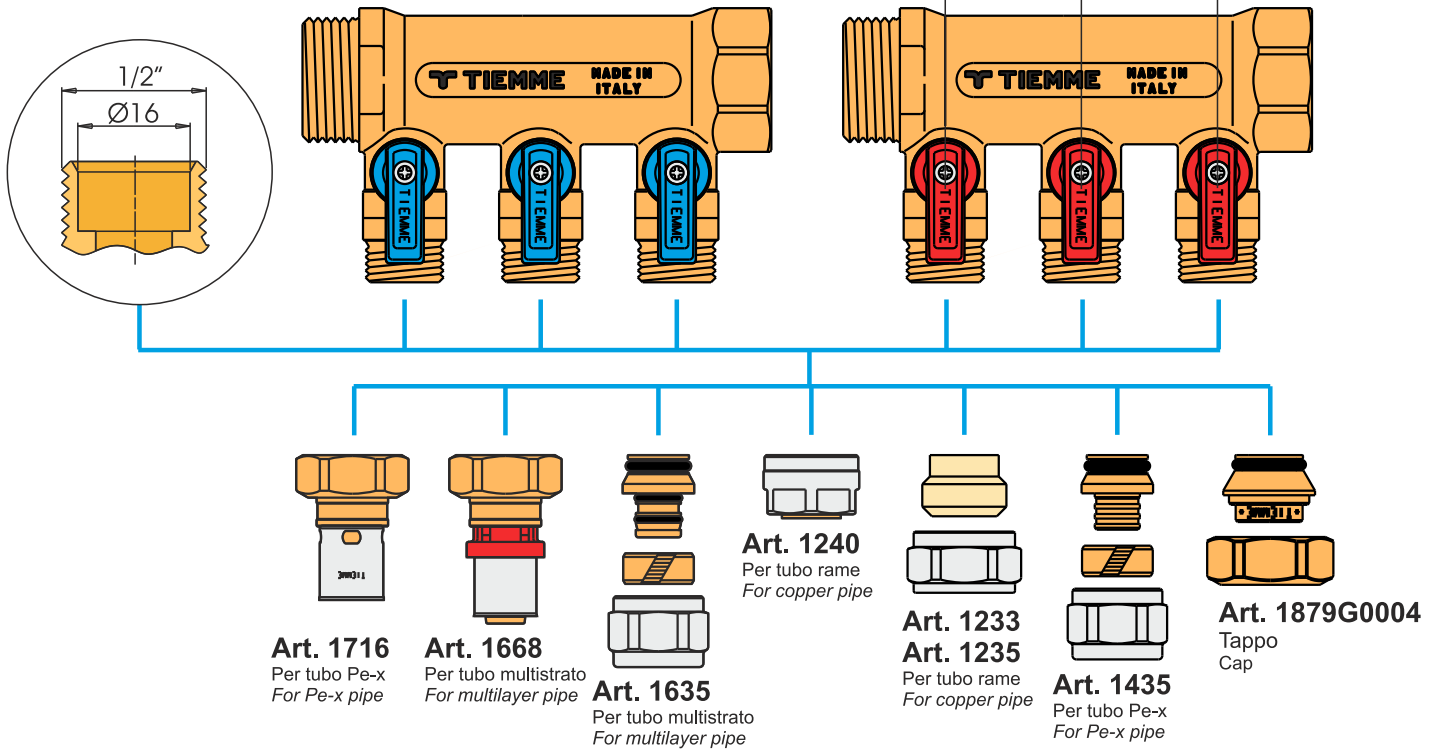
TIEMME

COLLETTORI CON VALVOLE A SFERA Manifolds with ball valves

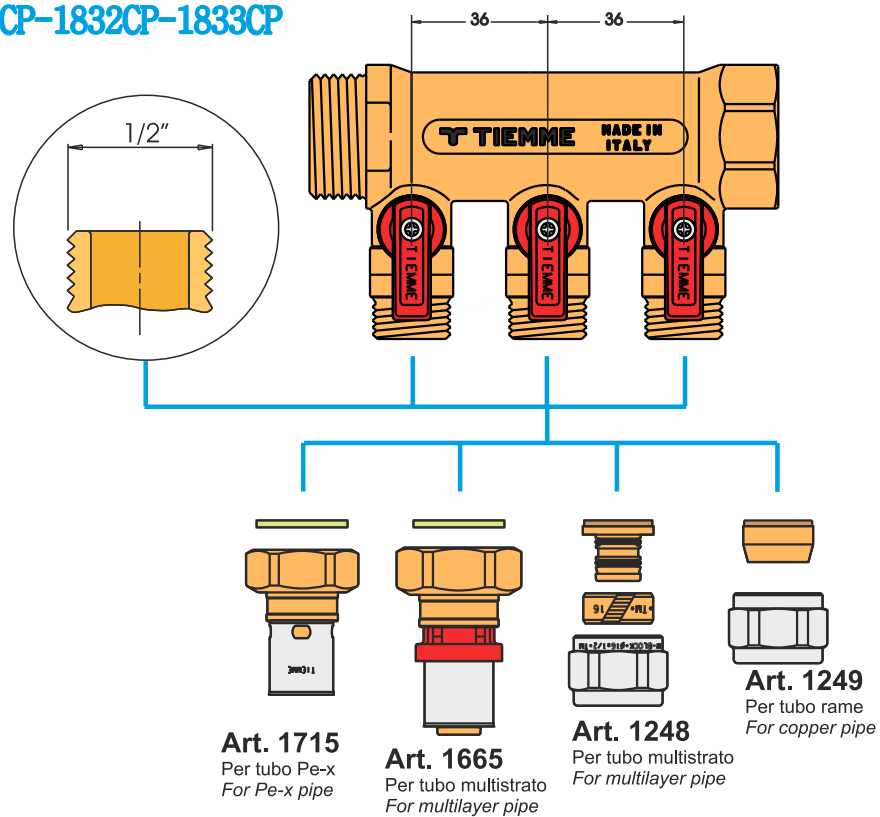
Serie NINO

Guida alle connessioni
Fitting guide

Art. 1822-1823-1824-1832-1833



Art. 1822CP-1823CP-1832CP-1833CP



TIEMME Raccorderie S.p.A.
Via Cavallera 6/A (Loc. Barco) - 25045 Castagnato (Bs) - Italy
Tel +39 030 2142211 R.A. - Fax +39 030 2142206
info@tiemme.com - www.tiemme.com



TIEMME Raccorderie S.p.A. si riserva di apportare modifiche in qualsiasi momento senza preavviso.
TIEMME Raccorderie S.p.A. reserves the right to modify contents in any time without prior advise.
È vietata qualsiasi forma di riproduzione, se non autorizzata.
is forbidden any reproduction unless under TIEMME authorization



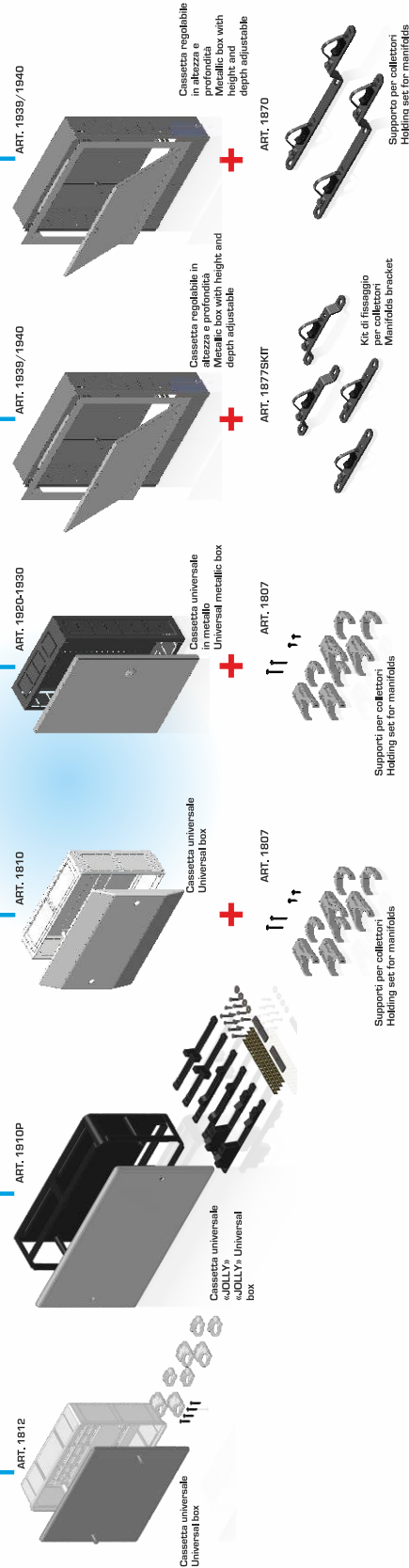


TIEMME

COLLETTORI CON VALVOLE A SFERA Manifolds with ball valves

Serie NINO

Cassette utilizzabili Boxes used



TIEMME Raccorderie S.p.A. si riserva di apportare modifiche in qualsiasi momento senza preavviso.
TIEMME Raccorderie S.p.A. reserves the right to modify contents in any time without prior advise.
È vietata qualsiasi forma di riproduzione, se non autorizzata.
Is forbidden any reproduction unless under TIEMME authorization



TIEMME Raccorderie S.p.A.
Via Cavallera 6/A (Loc. Barco) - 25045 Castegnato (Bs) - Italy
Tel +39 030 2142211 R.A. - Fax +39 030 2142206
info@tiemme.com - www.tiemme.com

