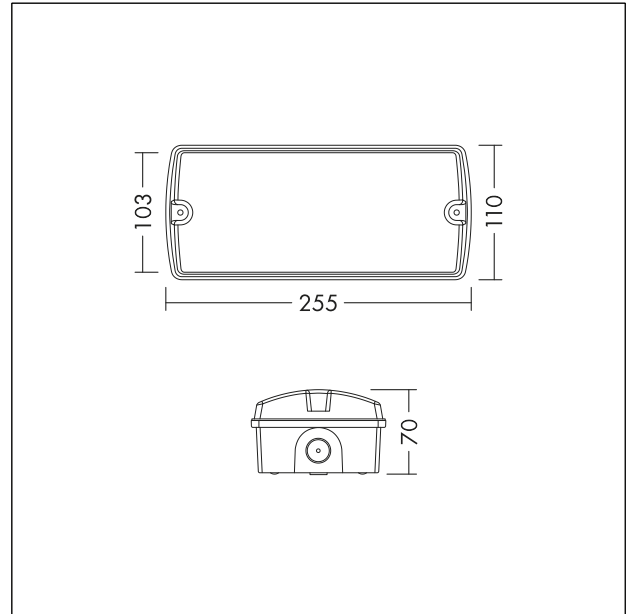


Emergency Bulkhead

LED emergency bulkhead and exit sign luminaire with local battery supply for 3 hour emergency lighting with SelfTest(Autotest) function, Viewing range up to 20m, Compliant with DIN EN 1838 and DIN4844-1, including 4 pictograms (left, right, arrow, green), flexible installation due to variable cable entry points; display of luminaire status via status LED, Lifetime: 50.000hrs @L80, IP65, Impact strength: IK08. Maintained and non-maintained mode, battery: LiFePO4 3,2V 1,5Ah, initial charging period: 24 hours. Dimensions: 255 x 110 x 70 mm, weight: 0.6 kg.



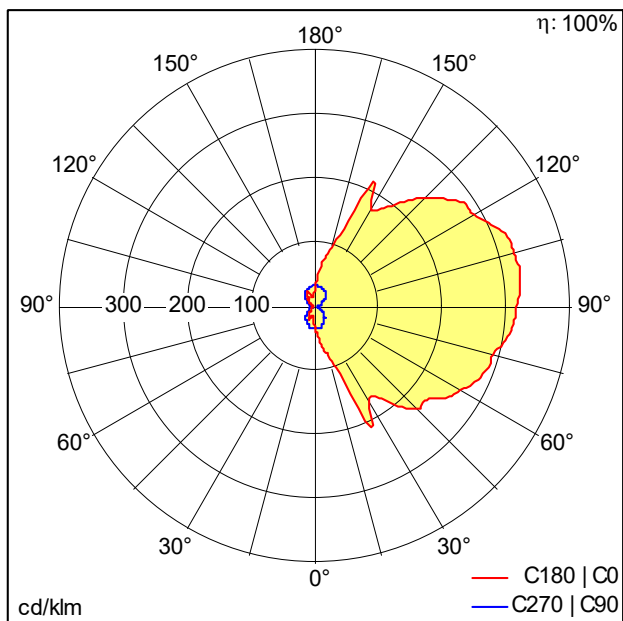
TE_SAM_F_front_sign_RI.jpg



TE_SAM_M_SAM.wmf

Light Distribution

STD - standard



TE_SAM_20M_SELFTEST_E3_LIFEP04.ltd

- Light Source: LED
- Luminaire luminous flux*: 269 lm
- Total emergency luminous flux: 155 lm
- Luminaire efficacy*: 56 lm/W
- Colour Rendering Index min.: 80
- Correlated colour temperature*: 5700 Kelvin
- Chromaticity tolerance (initial MacAdam): 4
- Rated median useful life*:
L80 50000 h at 25 °C
- Luminaire input power*: 4.8 W
- Standby Power*: 0.5 W
- Charging power: 1.5 W
- Dimming: Fixed output
- Service life rating: 3 h
- Maintenance category CIE 97: E - Dust-proof IP5X

All values marked with an * are rated values. Connected electrical load and luminous flux are subject to an initial tolerance of +/- 10%, the most similar colour temperature is subject to an initial tolerance of +/- 150K. Unless stated otherwise, the values apply to an ambient temperature of 25°C.