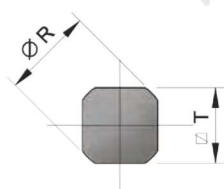
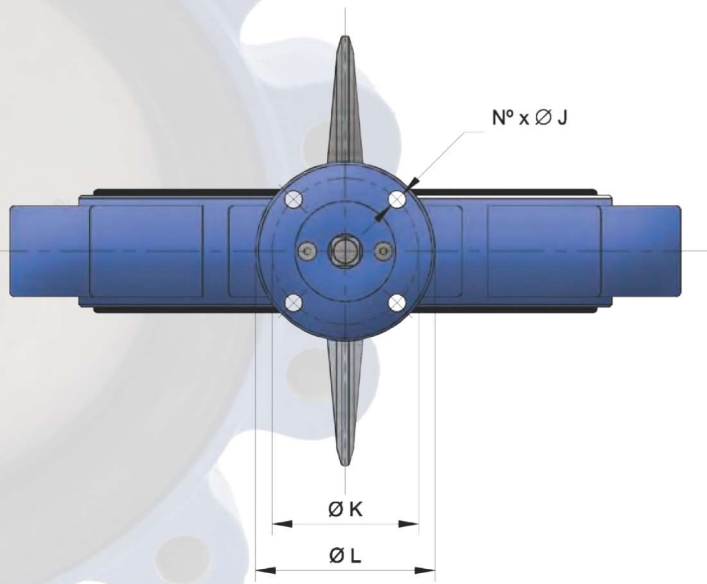
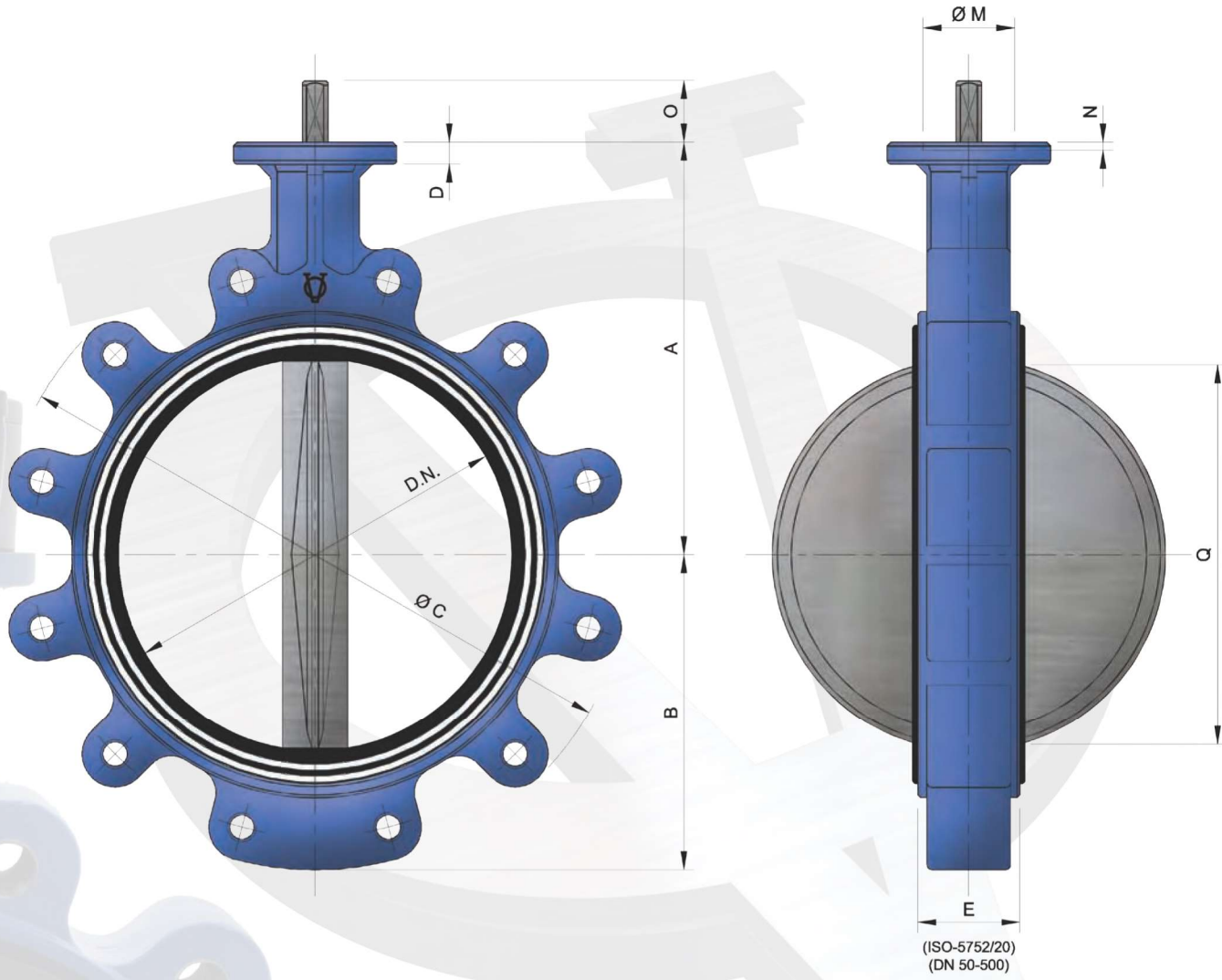
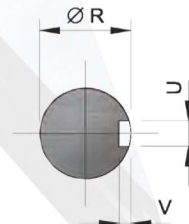


Standard manufacture range
500 Series Lug Type



SQUARE
(DN 50-300)



KEYWAY(1)
(DN 350-600)



Standard manufacture range 500 Series Lug Type

Features

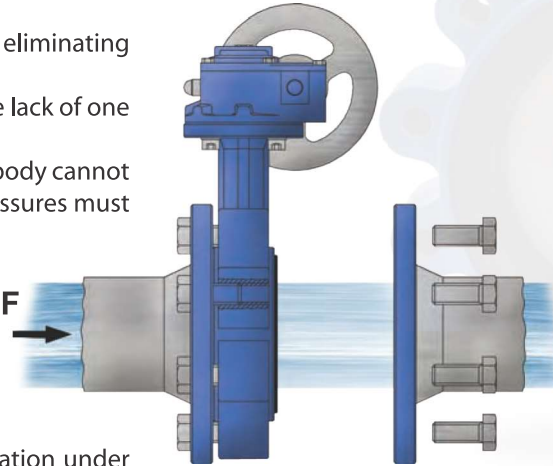
- ✓ Nominal diameters from 50 mm (2") to 600 mm (24").
- ✓ Assembly between flanges to DIN PN-10, PN-16 and ANSI 125/150. (for other drilling standards, please ask).
- ✓ Standard working pressure 16 bar (DN 50-300) and 10 bar (DN 350-600) for higher pressures, ask our Commercial Department.
- ✓ Temperature limits from -45°C to +200°C (depending on type of liners and coatings).
- ✓ As this is a design to be assembled with screws or studs threaded to the valve body, it must be taken into consideration that the pipe transfers compression and traction mechanical stresses. For this reason, the use of compensation joints or any other element absorbing the above mentioned mechanical effects must be foreseen.
- ✓ Perfect alignment with the pipe flanges thanks to its design.
- ✓ Enables to place other type of valves or devices in continuous position, eliminating thus accessories and gaining useful space.
- ✓ Its use enables repairs downstream of valve as this is not loose due to the lack of one flange, as the valve would remain secured to the flange upstream.
- ✓ Should the LUG type valve is occasionally used at the end of the line, the body cannot be cast iron due to the mechanical stress furthermore, the following pressures must not be exceeded:

- DN 50 through DN 150 ≤ 5,6 bar.
- DN 200 through DN 600 ≤ 3,5 bar.

- For higher nominal diameters, ask our Commercial Department.

- Once the repair has been made and before putting the line into operation under normal conditions, the pipe should be assembled again downstream or, at least, another flange so that the valve is assembled between two flanges.

DIRECTION OF THE FLUID



DIMENSIONS

DN		BODY DIMENSIONS					ASSEMBLY FLANGE							SHAFT END					"Q"	WEIGHT (Kg)
mm	Inch	A	B	Ø C	D	E	ISO-5211/2	N°	Ø J	Ø K	Ø L	Ø M ⁽¹⁾	N ⁽¹⁾	O	Ø R	Ø T	U	V		
50	2"	140	63	152	12	43	F-07	4	9	70	90	55	3	26	13.2	11			32	3.2
65	2½"	152	73	178	12	46	F-07	4	9	70	90	55	3	26	13.2	11			51	4.3
80	3"	159	81	200	12	46	F-07	4	9	70	90	55	3	26	13.2	11			69	6
100	4"	178	97	229	14	52	F-07	4	9	70	90	55	3	30	16.8	14			89	8
125	5"	191	112	254	14	56	F-07	4	9	70	90	55	3	30	16.8	14			115	9.8
150	6"	203	122	280	15	56	F-07	4	9	70	90	55	3	33	20.4	17			143	11.5
200	8"	245	149	343	15	60	F-07	4	9	70	90	55	3	33	20.4	17			194	18.3
250	10"	275	203	406	17	68	F-10	4	11	102	125	70	3	47	28	22			243	31.5
300	12"	315	241	483	17	78	F-10	4	11	102	125	70	3	47	28	22			293	48.3
350	14"	307	291	535	22	78	F-12	4	13	125	150	85	3	55	36		10	4.7	332	57.6
400	16"	342	325	597	24	102	F-14	4	17	140	175	100	4	65	42		12	4.9	382	93.1
450	18"	377	357	635	27	113	F-14	4	17	140	175	100	4	65	48		14	5.5	432	114.1
500	20"	425	381	715	27	126	F-14	4	17	140	175	100	4	65	48		14	5.5	478	158.3
600	24"	532	488	840	40	146	F-25	8	18	254	300	200	5	110	72		20	7.4	585	297

Dimensions in mm are orientative

VAMEIN DE ESPAÑA, S.A. reserves the right to modify dimensions with no previous advise.

(1): Central recess Ø M x N optional in DN 50-200.