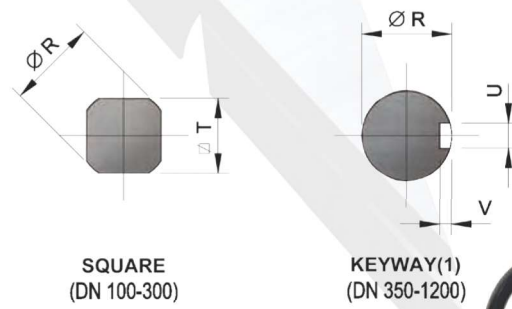
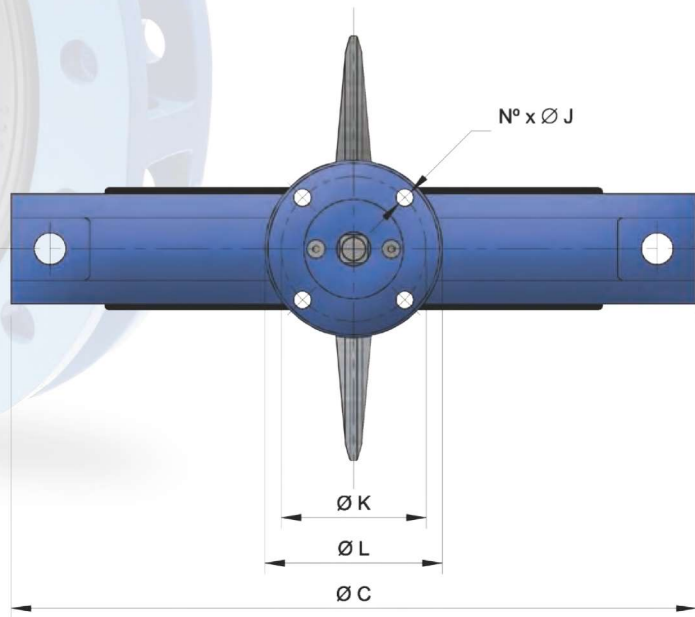
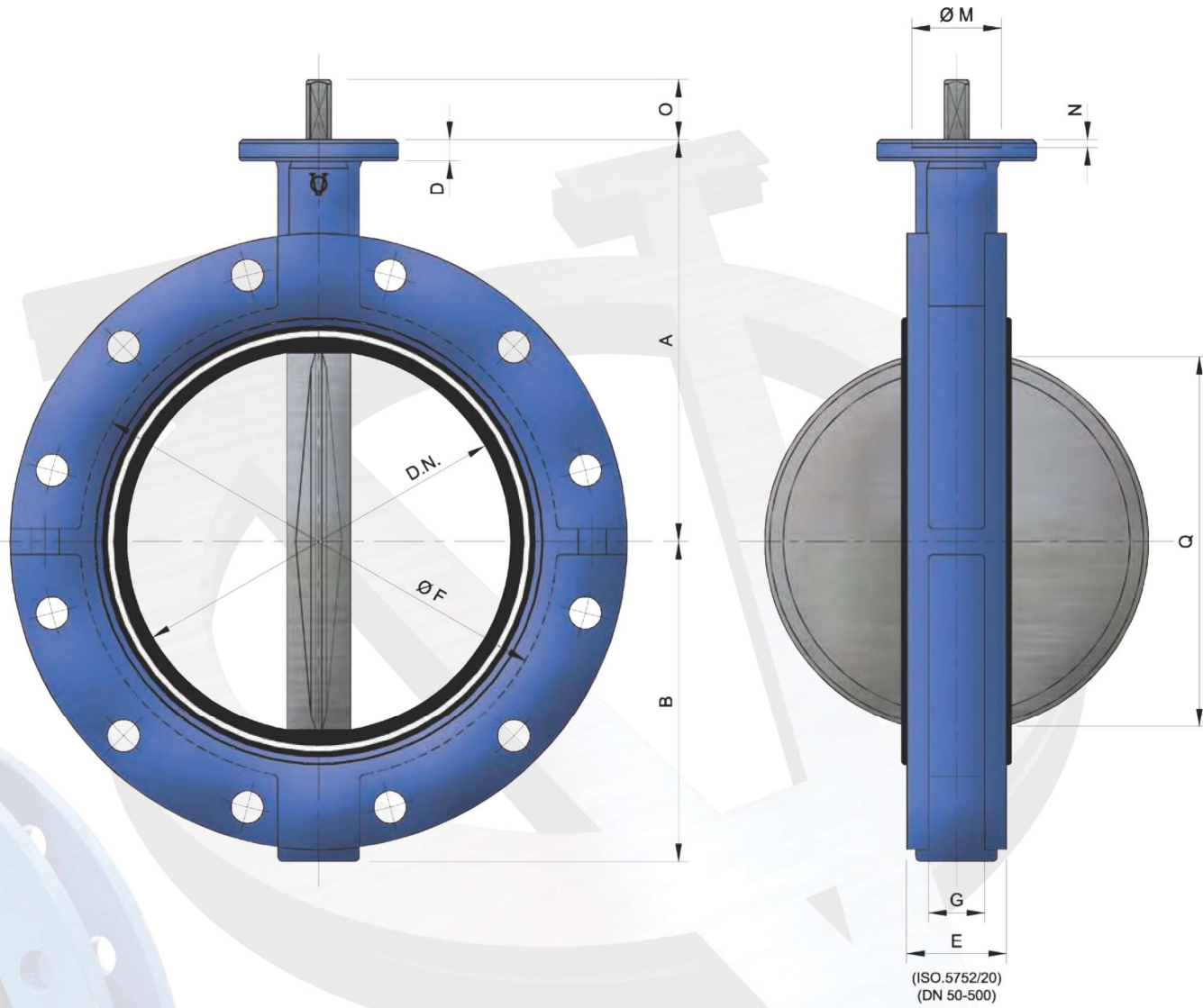


Standard manufacture range
200 Series Flanged Type



Standard manufacture range 200 Series Flanged Type

Features

- ✓ Nominal diameters from 100 mm (2") to 2000 mm (80").
- ✓ Assembly between flanges to DIN PN-10, PN-16 and ANSI 125/150. (for other drilling standards, please ask).
- ✓ Standard working pressure 16 bar (DN 100-300) and 10 bar (DN 350-2000) for higher pressures, ask our Commercial Department.
- ✓ Temperature limits from -45°C to +200°C (depending on type of liners and coatings).
- ✓ Integral drilling making the installation time shorter and enabling the perfect alignment of the valve with the pipe flanges.
- ✓ As this is a design to be used between flanges, the mechanical stress of the pipe is transferred to the valve only by compression on the body and, therefore, there are not traction mechanical stresses.
- ✓ 4 threaded holes per each side of the body as from DN 600, according to the drilling standard required. This must be taken into account.

DIMENSIONS

DN		BODY DIMENSIONS							ASSEMBLY FLANGE						SHAFT END					"Q"	WEIGHT	
mm	Inch	A	B	Ø C	D	E	Ø F	G	ISO-5211/2	Nº	Ø J	Ø K	Ø L	Ø M ⁽¹⁾	N ⁽¹⁾	O	Ø R	Ø T	U	V		(Kg)
100	4"	178	120	229	14	52	152	32	F-07	4	9	70	90	55	3	30	16.8	14			89	10.3
125	5"	191	132	254	14	56	182	32	F-07	4	9	70	90	55	3	30	16.8	14			115	13.6
150	6"	203	148	285	15	56	207	32	F-07	4	9	70	90	55	3	33	20.4	17			143	17.3
200	8"	245	180	343	15	60	262	37	F-07	4	9	70	90	55	3	33	20.4	17			194	22.5
250	10"	275	211	406	17	68	323	38	F-10	4	11	102	125	70	3	47	28	22			243	38.8
300	12"	315	251	483	17	78	373	44	F-10	4	11	102	125	70	3	47	28	22			293	50.3
350	14"	307	291	535	22	78	425	44	F-12	4	13	125	150	85	3	55	36		10	4.7	332	66.7
400	16"	342	325	597	24	102	475	62	F-14	4	17	140	175	100	4	65	42		12	4.9	382	98.7
450	18"	387	357	635	27	113	530	65	F-14	4	17	140	175	100	4	65	48		14	5.5	432	128.6
500	20"	425	381	715	27	126	587	67	F-14	4	17	140	175	100	4	65	48		14	5.5	478	171.1
600	24"	532	488	840	40	146	680	90	F-25	8	18	254	300	200	5	110	72		20	7.4	585	304
650	26"	550	493	870	40	175	730,5	103	F-25	8	18	254	300	200	5	110	72		20	7.4	619	380
700	28"	573	506	927	40	175	792	103	F-25	8	18	254	300	200	5	110	72		20	7.4	683	456
750	30"	622	555	984	40	176	862	96	F-25	8	18	254	300	200	5	110	72		20	7.4	733	556
800	32"	657	583	1060	40	215	902	135	F-25	8	18	254	300	200	5	110	72		20	7.4	755	608
900	36"	707	643	1168	40	246	998	166	F-25	8	18	254	300	200	5	110	98		28	9.9	852	745
1000	40"	755	729	1255	40	280	1108	190	F-25	8	18	254	300	200	5	110	98		28	9.9	958	1038
1050 ⁽³⁾	42"	781	755	1346	40	280	1190	190	F-25	8	18	254	300	200	5	110	98		28	9.9	1013	1364
1100 ⁽³⁾	44"	800	774	1403	40	280	1220	176	F-25	8	18	254	300	200	5	110	98		28	9.9	1050	1690
1200	48"	900	855	1511	50	360	1320	244	F-30	8	22	298	350	230	5	130	120		32	11.1	1098	1880

Dimensions in mm are orientative

VAMEIN DE ESPAÑA, S.A. reserves the right to modify dimensions with no previous advise.

For DN >1200, please ask.

(1): For DN 1200, two keyways in line.

(2): Central recess Ø M x N optional in DN 50-200.

(3): Special manufacture valves. Ask for availability.