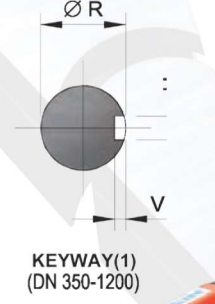
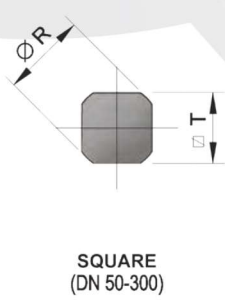
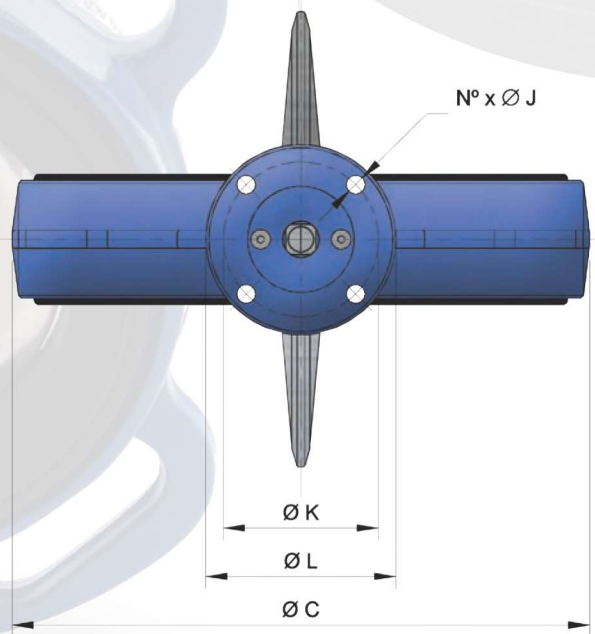
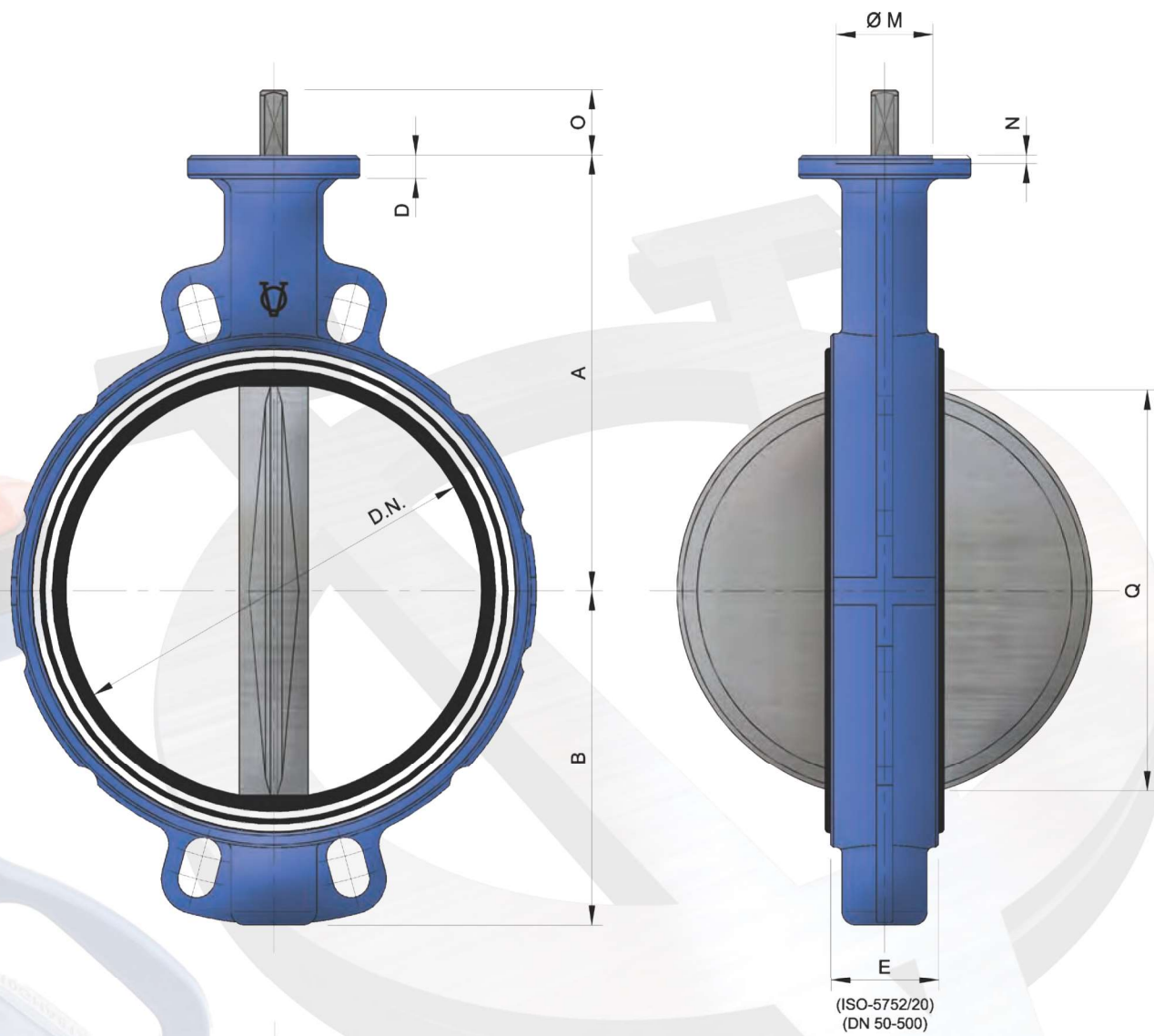


Standard manufacture range  
**100 Series Wafer Type**

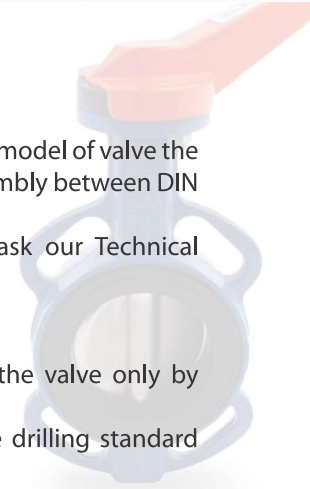


# Standard manufacture range

## 100 Series Wafer Type

### Features

- ✓ Nominal diameters from 50 mm (2") to 2000 mm (80").
- ✓ Assembly between flanges : From DN 50 (2") to DN 300 (12") multiflange system, permitting with only one model of valve the assembly between PN-6, PN-10, PN-16, ANSI 125/150 Lbs, and B.S. 10-D/E flanges. From DN 350 (14"), assembly between DIN PN-10, PN-16 and ANSI 125/150. (for other drilling standards, please ask).
- ✓ Standard working pressure 16 Bar (DN 50-300) and 10 Bar (DN 350-2000) for higher pressures, ask our Technical Department.
- ✓ Temperature limits from -40°C to +180°C (depending on type of liners and coatings).
- ✓ 4 centering holes up to DN 500 for a correct alignment and quick installation.
- ✓ As this is a design to be used between flanges, the mechanical stress of the pipe is transferred to the valve only by compression on the body and therefore, there are not traction mechanical stress.
- ✓ Furthermore, as from DN 600 there are 4 threaded holes per each side of the body, according to the drilling standard required. This must be taken into consideration due to the traction.



### DIMENSIONS

DN		BODY DIMENSIONS					ASSEMBLY FLANGE							SHAFT END					"Q"	WEIGHT (Kg)
mm	Inch	A	B	Ø C	D	E	ISO-5211/2	Nº	Ø J	Ø K	Ø L	Ø M <sup>(2)</sup>	N <sup>(2)</sup>	O	Ø R	∇ T	U	V		
50	2"	140	83	102	12	43	F-07	4	9	70	90	55	3	26	13.2	11			32	3.3
65	2½"	152	93	122	12	46	F-07	4	9	70	90	55	3	26	13.2	11			51	4.0
80	3"	159	98	139	12	46	F-07	4	9	70	90	55	3	26	13.2	11			69	4.3
100	4"	178	111	159	14	52	F-07	4	9	70	90	55	3	30	16.8	14			89	5.7
125	5"	191	127	189	14	56	F-07	4	9	70	90	55	3	30	16.8	14			115	7.4
150	6"	203	143	214	15	56	F-07	4	9	70	90	55	3	33	20.4	17			143	8.9
200	8"	245	172	269	15	60	F-07	4	9	70	90	55	3	33	20.4	17			194	13.5
250	10"	275	204	331	17	68	F-10	4	11	102	125	70	3	47	28	22			243	22.8
300	12"	315	242	380	17	78	F-10	4	11	102	125	70	3	47	28	22			293	31.7
350	14"	307	291	442	22	78	F-12	4	13	125	150	85	3	55	36		10	4.7	332	43.2
400	16"	342	325	493	24	102	F-14	4	17	140	175	100	4	65	42		12	4.9	382	65.2
450	18"	387	357	544	27	113	F-14	4	17	140	175	100	4	65	48		14	5.5	432	84.5
500	20"	425	381	601	27	126	F-14	4	17	140	175	100	4	65	48		14	5.5	478	119
600	24"	532	488	695	40	146	F-25	8	18	254	300	200	5	110	72		20	7.4	585	281
650	26"	550	493	736,5	40	175	F-25	8	18	254	300	200	5	110	72		20	7.4	619	348
700	28"	573	506	798	40	175	F-25	8	18	254	300	200	5	110	72		20	7.4	683	414
750	30"	622	555	872	40	176	F-25	8	18	254	300	200	5	110	72		20	7.4	733	508
800	32"	650	578	908	40	215	F-25	8	18	254	300	200	5	110	72		20	7.4	755	572
900	36"	707	643	1004	40	246	F-25	8	18	254	300	200	5	110	98		28	9.9	852	639
1000	40"	755	729	1114	40	280	F-25	8	18	254	300	200	5	110	98		28	9.9	958	918
1050 <sup>(3)</sup>	42"	781	755	1196	40	280	F-25	8	18	254	300	200	5	110	98		28	9.9	1013	1034
1100 <sup>(3)</sup>	44"	800	774	1220	40	280	F-25	8	18	254	300	200	5	110	98		28	9.9	1050	1150
1200	48"	900	855	1330	50	360	F-30	8	22	298	350	230	5	130	120		32	11.1	1098	1760

Dimensions in mm are orientative

VAMEIN DE ESPAÑA, S.A. reserves the right to modify dimensions with no previous advise.

For DN >1200 please ask.

(1): For DN 1200, two keyways in line.

(2): Central recess Ø M x N optional in DN 50-200.

(3): Special manufacture valves. Ask for availability.