

EAN: 6414150046681

www.oras.com/en/products/oras/product/8586

Concealed universal shower faucet body for cover parts Oras No. 8597 and 8598.



- Shower
- Concealed unit
- Wall mounted for concealed unit

Technical data

Flow properties

Flow-rate at 300 kPa	0.24 l/s
Pressure loss with flow (0.2 l/s)	210 kPa

Technical properties

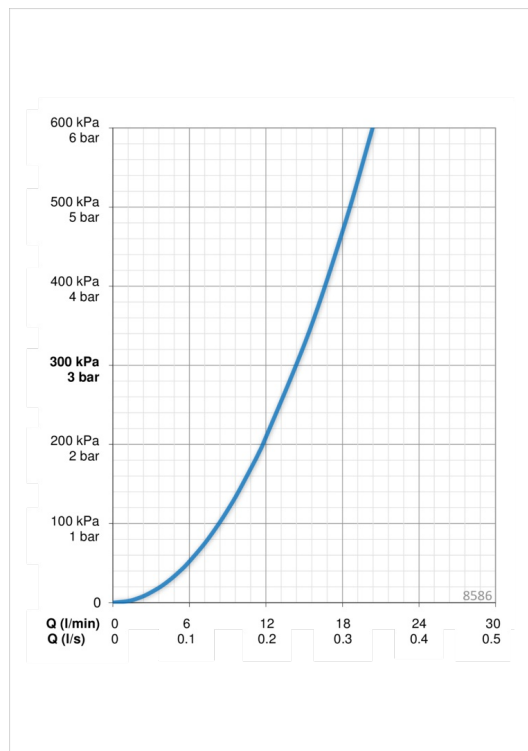
Hot water supply	max. +80°C
Working pressure	50 - 1000 kPa
Connection size	G1/2
Material	brass

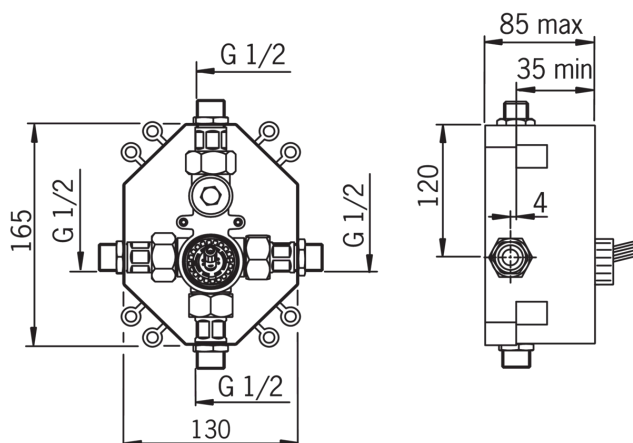
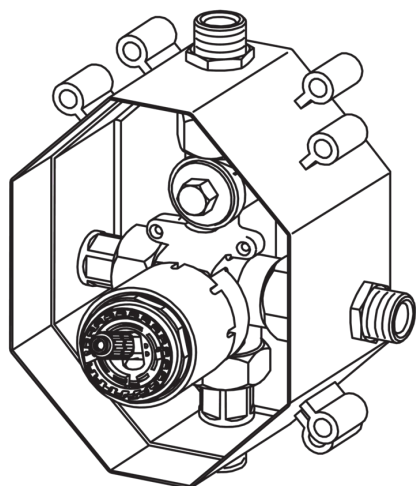
Regulations

Noise class	I (ISO 3822)
-------------	---------------------

Type approvals

STF certificate	STF VTT-09186-06
-----------------	-------------------------





Spare parts

SP8586

	Code
01	158890
02	158726

