

EAN: 6414150051302

www.oras.com/en/products/oras/product/8575

Thermostatic shower faucet that reacts quickly and precisely to the changes of incoming water temperature and keeps the water temperature as selected. Temperature adjustment handle equipped with temperature limiter and button for bypassing the limiter (preset at ca. 38°C). Aerator and push-down diverter are integrated into the spout. Non-return valves and litter filters are included.

Design: Stefano Giovannoni

- Bathroom, Shower
- Thermostatic
- Wall mounted
- Chrome
- Temperature control handle
- push diverter
- Limitation option for maximum temperature, Temperature adjustment fixable
- Thermostatic cartridge that reacts quickly and precisely to changes in water temperature, Litter filter(s), Non-return valve(s)



Technical data

Flow properties

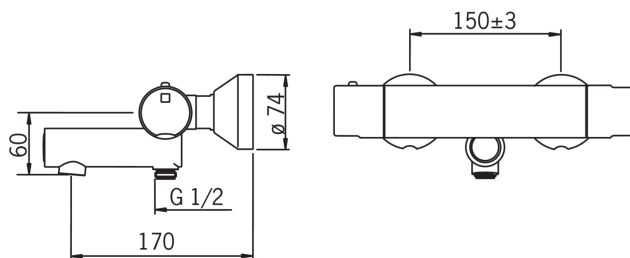
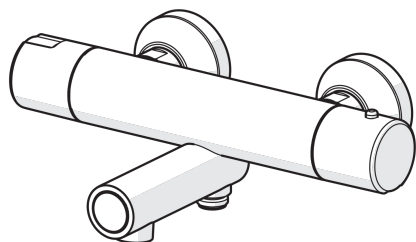
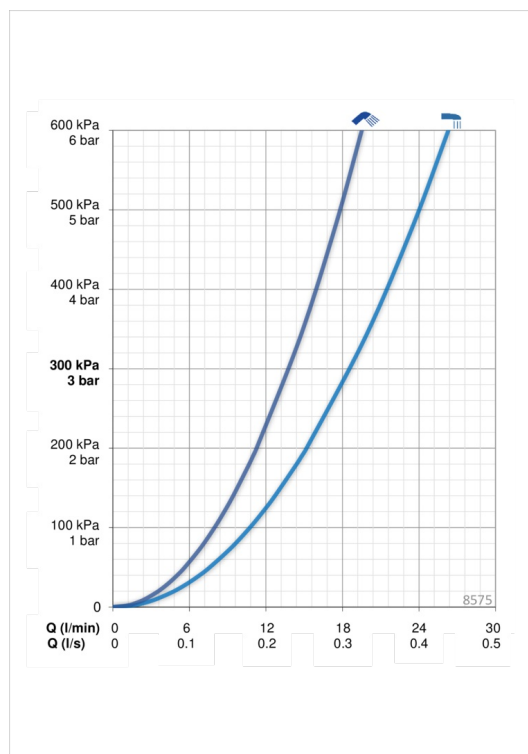
Flow-rate at 300 kPa	0.31 / 0.23 l/s
Pressure loss with flow (0.3 l/s)	285 kPa

Technical properties

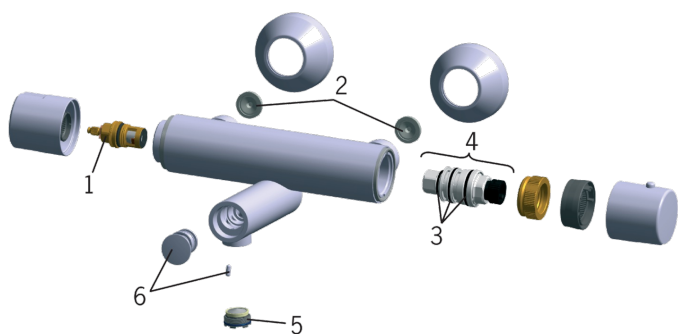
Hot water supply	max. +80°C
Working pressure	100 - 1000 kPa
Connection size	G1/2
Installation width	CC150± 3 mm
Projection	170 mm
Material	brass

Regulations

EN standard	EN 1111
Noise class	II (ISO 3822)



Spare parts



SP8575

	Code
01	109898
02	178375V
03	178796V
04	178780V
05	859323V
06	859295V