

EAN: 6414150076466

[www.oras.com/en/products/oras/product/8524FT](http://www.oras.com/en/products/oras/product/8524FT)



Touchless washbasin faucet with a temperature adjustment handle and a rapid pop-up waste. The faucet is equipped with litter filters, non-return valves and Autofocus sensor which enables installation without adjustments. Flow controller (6 l/min) enables low water consumption. Electrical connection with a plug transformer 230/12 V. Alternative: concealed power supply 199275. A maximum five of these items can be connected to the power supply at a time. Design: Stefano GiovannoniF = with flexible pipes

- Public & Semi-public
- Touchless, Plug-in transformer
- Deck mounted
- Chrome
- Temperature control handle
- Push pop-up waste without draw-rod
- Thermostatic cartridge that reacts quickly and precisely to changes in water temperature, Non-return valve(s), Litter filter(s)
- Autofocus sensor

## Technical data

### Flow properties

Flow-rate at 300 kPa (with flow controller)	<b>0.1 l/s</b>
Pressure loss with flow (0.1 l/s)	<b>200 kPa</b>

### Technical properties

Hot water supply	<b>max. +70°C</b>
Working pressure	<b>100 - 1000 kPa</b>
Connection size	<b>G3/8</b>
Projection	<b>90 mm</b>
Material	<b>brass</b>

### Software settings

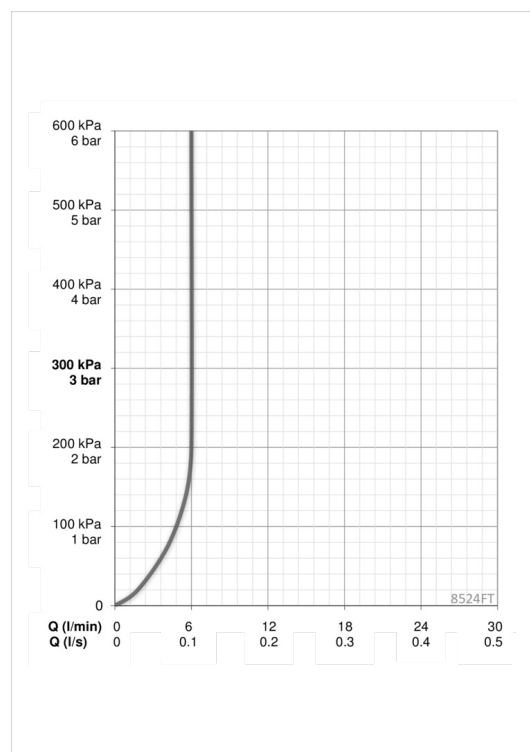
Afterflow period	<b>2 s ± 1 s</b>
Max. flow period	<b>2 min</b>

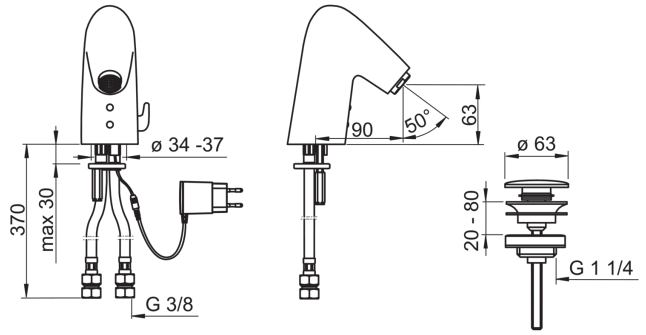
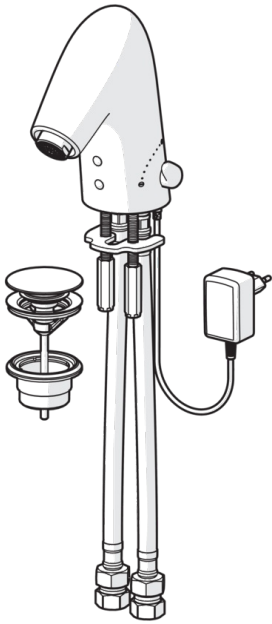
### Electronic properties

Electrical Connection	<b>230 / 12 V</b>
-----------------------	-------------------

### Regulations

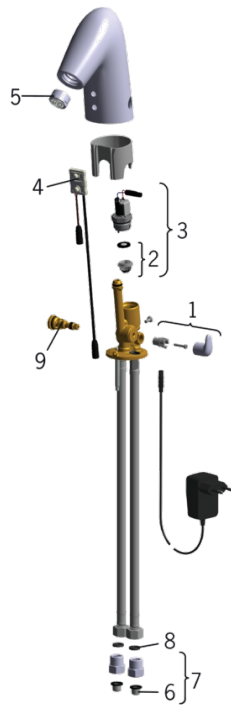
EMC Directive	<b>CE 2004/108/EY</b>
EN standard	<b>EN 15091</b>
Noise class	<b>I (ISO 3822)</b>
Protection class	<b>IP 55 / transformer IP 40</b>





## Spare parts

### SP8524FT



	Code
01	600581V
02	199205V
03	199206V
04	600839V
05	199266V
06	199257/2
07	198473/2
08	600705/10
09	199201V