

EAN: 6414150064586

www.oras.com/en/products/oras/product/8514F



Touchless washbasin faucet with a temperature adjustment handle and a rapid pop-up waste. Battery-operated 6 V. The faucet is equipped with litter filters and non-return valves. No adjustments are needed at installation because of an advanced Autofocus sensor. The impulse-controlled solenoid valve gives the battery a long operating life. Flow controller (6 l/min) enables low water consumption.

Design: Stefano Giovannoni

F = with flexible pipes

- Bathroom
- Battery-operated, Touchless
- Deck mounted
- Chrome
- Temperature control handle
- Push pop-up waste without draw-rod
- Litter filter(s)
- Autofocus sensor, Impulse-controlled solenoid valve

Technical data

Flow properties

Flow-rate at 300 kPa (with flow controller)	0.1 l/s
Pressure loss with flow (0.1 l/s)	200 kPa

Technical properties

Hot water supply	max. +70°C
Working pressure	100 - 1000 kPa
Connection size	G3/8
Projection	90 mm
Material	brass

Software settings

Afterflow period	2 s ± 1 s
Max. flow period	2 min

Electronic properties

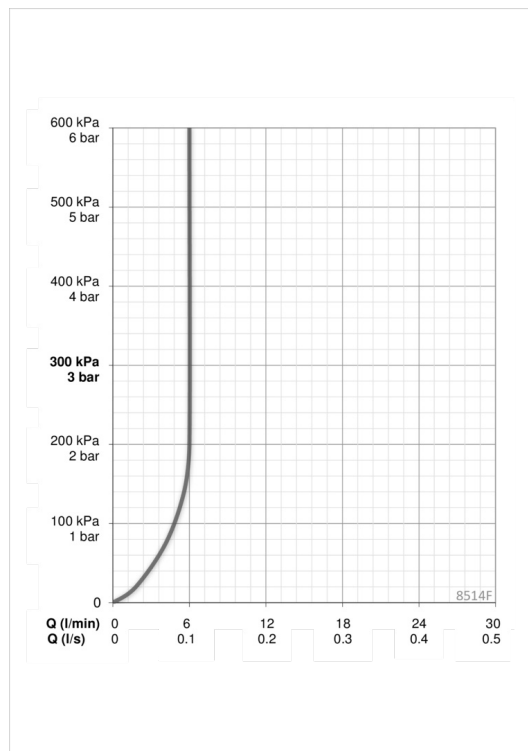
Battery	Lithium 2CR5 6 V
---------	-------------------------

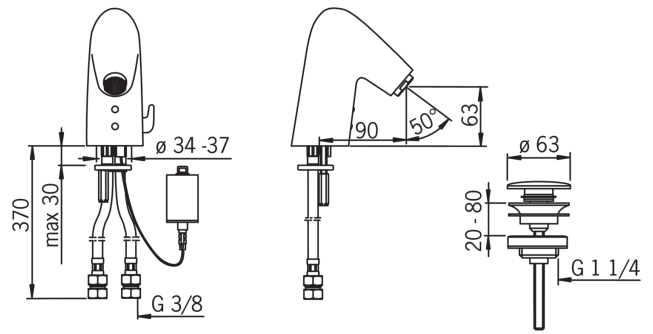
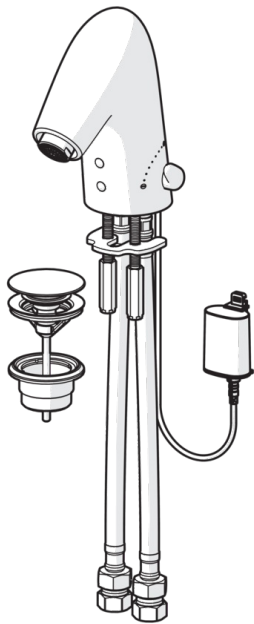
Regulations

EMC Directive	CE 2004/108/EY
EN standard	EN 15091
Noise class	I (ISO 3822)
Protection class	IP 55

Type approvals

STF certificate	VTT-RTH-00048-10
ETA-Danmark	VA 1.42/19393
Sintef	Sintef Nr. 1534





Spare parts



SP8514F

	Code
01	199417V
02	198330
03	600581V
04	199205V
05	199206V
06	600659V
07	199266V
08	199257/2
09	198473/2
10	600705/10
11	199201V