



ClearFlood

BVP650 LXTECO 18000/NW PSU OFA52 ALU

BVP650 - LED EconomyLine - 18,000 lm - Optiflux asymmetrical axis angle 52°

ClearFlood is a range of floodlights that lets you choose the exact number of lumens you need for your application. Designed around state-of-the-art LEDs and extremely high-efficiency optics, this very competitive solution offers an industry-leading lux per euro ratio and significant energy savings. The choice of different optics opens up new application possibilities for LEDs. ClearFlood is easy to install and perfect for replacing conventional light-points as it uses the same electrical installation and poles. Selecting the required light output is also straightforward.

Product data

General Information		Flammability mark	
Number of light sources	1 pc	Flammability mark	For mounting on normally flammable surfaces
Lamp family code	LED EconomyLine	CE mark	CE mark
Light source color	Neutral white	ENEC mark	ENEC mark
Light source replaceable	Yes	Optic type outdoor	Optiflux asymmetrical axis angle 52°
Driver/power unit/transformer	Power supply unit	RAL color	Gray aluminum (9007)
Driver included	Yes	Knife connector	-
Optical cover/lens type	Flat glass	Constant light output	No
Embedded control	-	RoHS mark	-
Light regulation	-	WEEE mark	-
Protection class IEC	Safety class I	Product family code	BVP650
Color	Aluminum	Light Technical	
Finish	Matte	Light source flux	18,000 lm
Coating	Single layer powder coating		
Glow-wire test	Temperature 960 °C, duration 5 s		

ClearFlood

Operating and Electrical

Input Voltage	220 to 240 V
Input Frequency	50 to 60 Hz

Controls and Dimming

Dimmable	No
----------	----

Mechanical and Housing

Housing Material	Aluminum
Optical cover/lens material	Glass

Approval and Application

Ingress protection code	IP66 [Dust penetration-protected, jet-proof]
Mech. impact protection code	IK09 [10 J]

Initial Performance (IEC Compliant)

Initial luminous flux	16200 lm
Initial LED luminaire efficacy	95 lm/W
Init. Corr. Color Temperature	4000 K
Initial input power	170 W

Over Time Performance (IEC Compliant)

Useful life L80B10	50000 h
--------------------	---------

Application Conditions

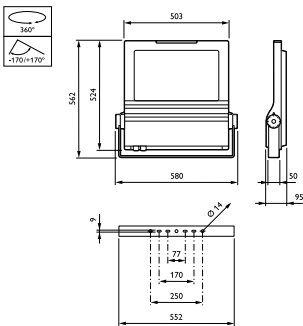
Ambient temperature range	-20 to +40 °C
Average ambient temperature	25 °C

Product Data

Full product code	871794317017300
Order product name	BVP650 LXTECO 18000/NW PSU OFA52 ALU
EAN/UPC - Product	8717943170173
Order code	912300022523
Numerator - Quantity Per Pack	1
Numerator - Packs per outer box	1
Material Nr. (12NC)	912300022523
Net Weight (Piece)	17.000 kg



Dimensional drawing



ClearFlood BVP650/651

