

EAN: 6414150082986

www.oras.com/en/products/oras/product/7562-15



Thermostatic shower faucet with Wellfit body treatment. Easy-to-use control handles. Temperature limiter in the handle. Spacious shelf made of safety glass. The Wellfit body treatment can be individualized using the Oras App. The faucet is equipped with straight couplings with stop valves, litter filters and non-return valves.

- Shower
- Battery-operated, Thermostatic, Bluetooth®
- Wall mounted
- Chrome/Grey
- safety stop against scalding at 38°C, THERMO COOL - Improved safety: the housing of the fittings conducts minimal heat
- Thermostatic cartridge that reacts quickly and precisely to changes in water temperature
- safety glass, Adjustable settings via app

Technical data

Flow properties

Flow-rate at 300 kPa	0.2 l/s
Pressure loss with flow (0.2 l/s)	300 kPa

Technical properties

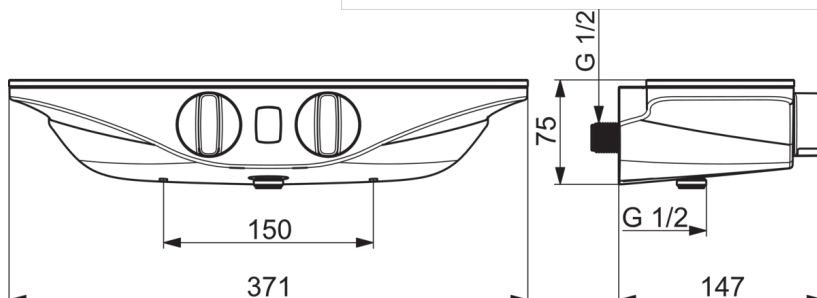
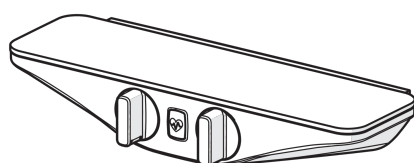
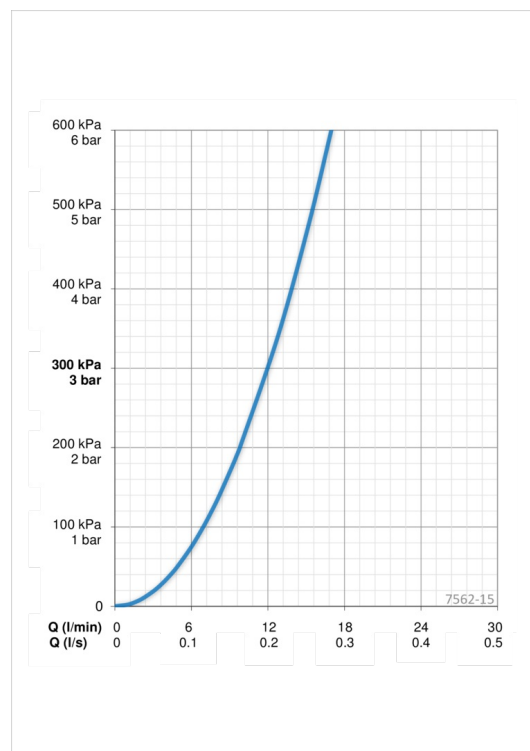
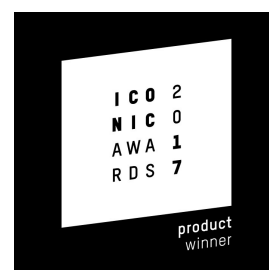
Hot water supply	max. +70°C
Working pressure	100 - 1000 kPa
Connection size	G1/2
Installation width	CC150 mm
Material	Brass

Electronic properties

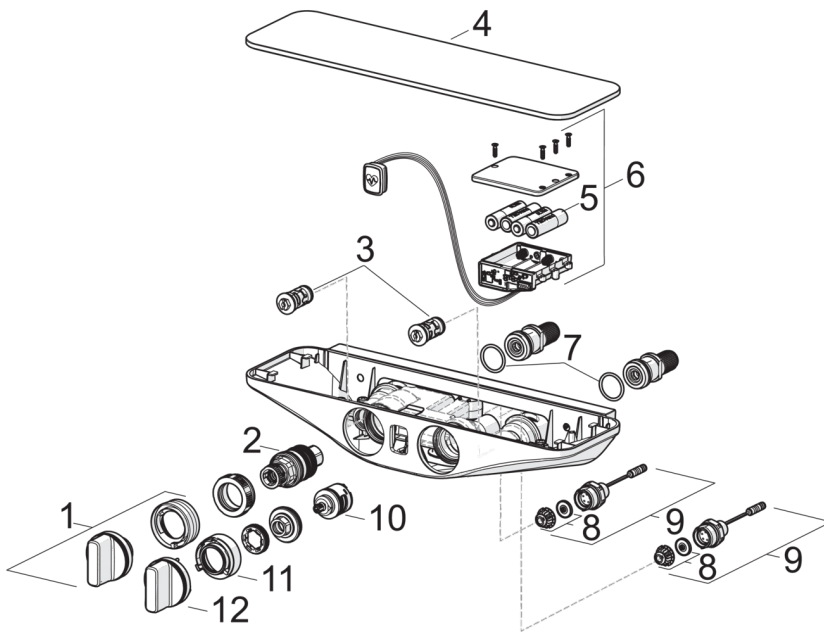
Battery	AA 1.5 V Lithium x 4
Bluetooth version	4.x

Regulations

EMC Directive	CE 2014/30/EU
EN standard	EN 1111 , EN 15091
Noise class	I (ISO 3822) Oras lab.
Protection class	IP 55



Spare parts



SP7562U-15

	Code
01	1000791V
02	178780V
03	1004950V
03	602346V
04	1003043V
05	600599V
06	1000858V
07	602674V
08	199205V
09	199206V
10	198282V
11	1003519V
12	1000716V