

EAN: 6414150083020

www.oras.com/en/products/oras/product/7542-15



Thermostatic bath and shower faucet with Wellfit body treatment. Easy-to-use control handles and diverter. Temperature limiter in the handle. Spacious shelf made of safety glass. The Wellfit body treatment can be individualized using the Oras App. The faucet is equipped with straight couplings with stop valves, litter filters and non-return valves.

- Bathroom, Shower
- Battery-operated, Thermostatic, Bluetooth®
- Wall mounted
- Chrome/Grey
- integrated diverter with volume control
- safety stop against scalding at 38°C, THERMO COOL - Improved safety: the housing of the fittings conducts minimal heat
- Thermostatic cartridge that reacts quickly and precisely to changes in water temperature
- safety glass, Adjustable settings via app

Technical data

Flow properties

Flow-rate at 300 kPa	0.28 / 0.2 l/s
Pressure loss with flow (0.2 l/s)	300 kPa

Technical properties

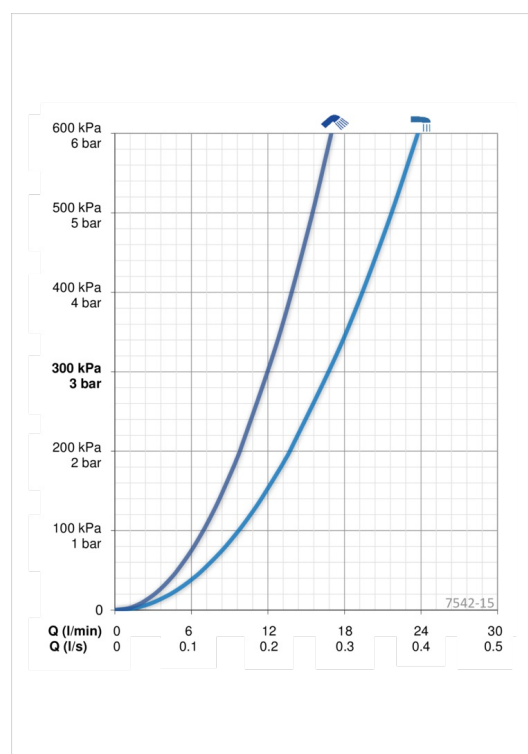
Hot water supply	max. +70°C
Working pressure	100 - 1000 kPa
Connection size	G1/2
Installation width	CC150 mm
Projection	137 mm
Material	Brass

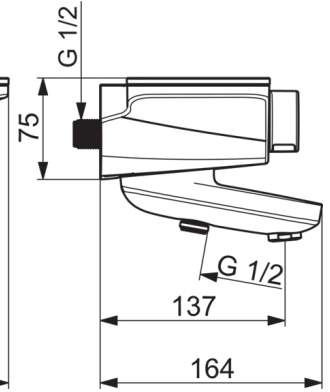
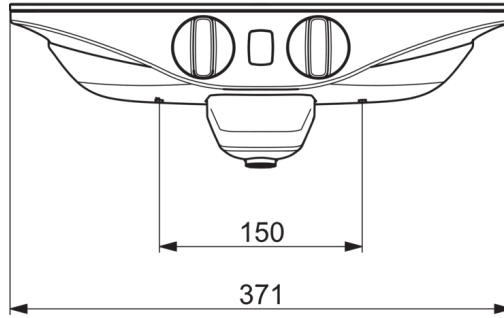
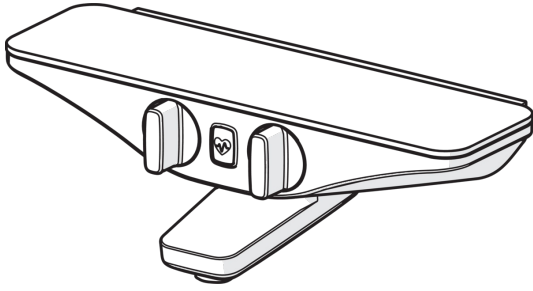
Electronic properties

Battery	AA 1.5 V Lithium x 4
Bluetooth version	4.x

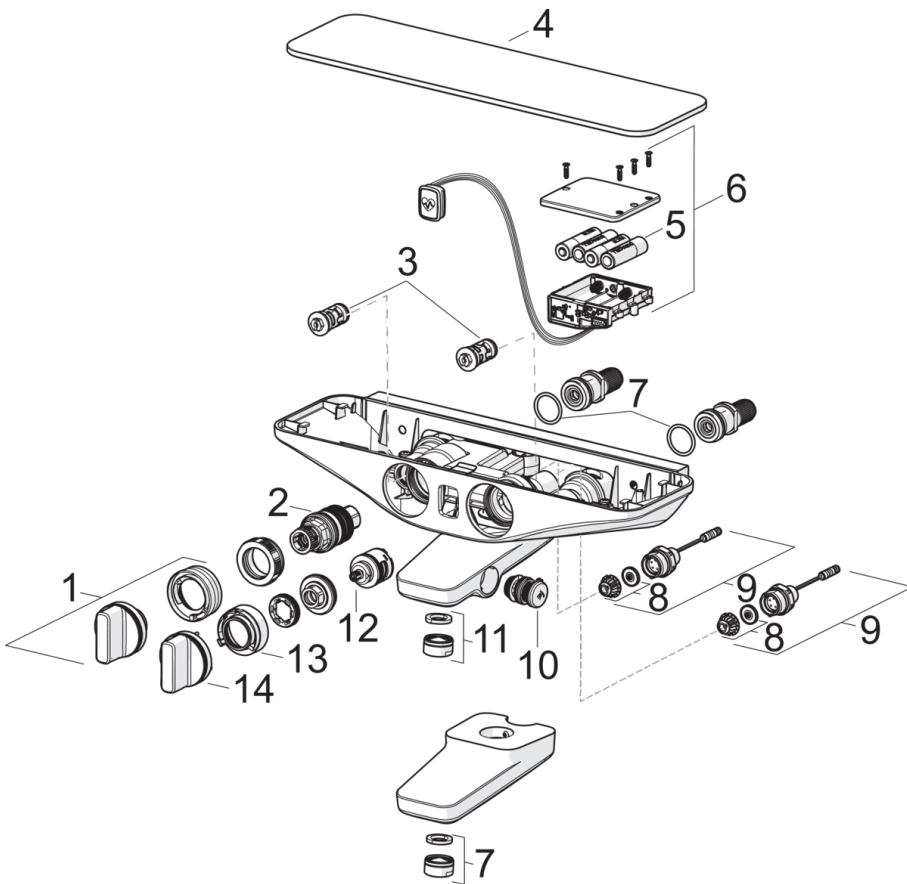
Regulations

EMC Directive	CE 2014/30/EU
EN standard	EN 1111 , EN 15091
Noise class	I (ISO 3822) Oras lab.
Protection class	IP 55





Spare parts



SP7542U-15

	Code
01	1000791V
02	178780V
03	1004950V
03	602346V
04	1003043V
05	600599V
06	1000858V
07	602674V
08	199205V
09	199206V
10	1002394V
11	602104V
12	198282V
13	1003518V
14	1000716V