



Thermostatic shower faucet. Temperature handle equipped with safety stop at 38°C. Volume handle with EcoFlow control. The faucet includes litter filters and non-return valves.

- Shower
- Thermostatic
- Wall mounted
- Chrome
- Temperature control handle, Flow control handle
- Eco flow
- safety stop against scalding at 38°C, Temperature adjustment fixable
- Thermostatic cartridge that reacts quickly and precisely to changes in water temperature, Litter filter(s), Non-return valve(s)

## Technical data

### Flow properties

Eco-flow at 300 kPa	<b>0.19 l/s</b>
Flow-rate at 300 kPa	<b>0.28 l/s</b>
Pressure loss with flow (0.2 l/s)	<b>165 kPa</b>

### Technical properties

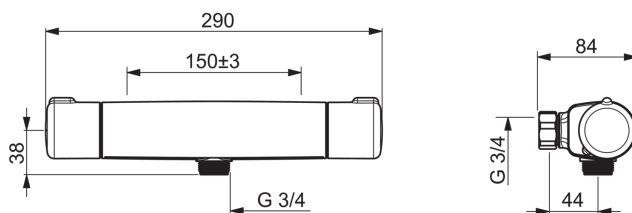
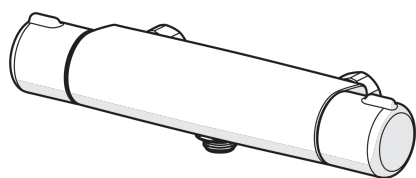
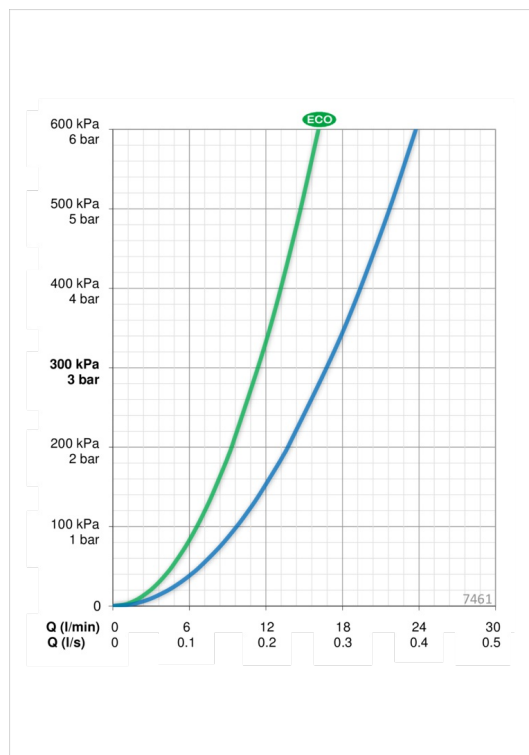
Hot water supply	<b>max. +80°C</b>
Working pressure	<b>100 - 1000 kPa</b>
Connection size	<b>G3/4</b>
Installation width	<b>cc150 mm</b>
Material	<b>brass</b>

### Regulations

EN standard	<b>EN 1111</b>
Noise class	<b>I (ISO 3822) Oras lab.</b>

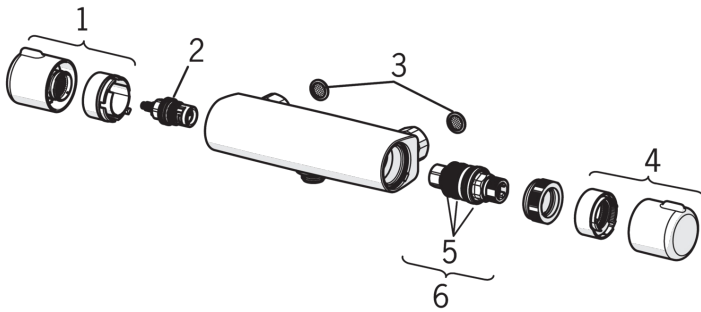
### Type approvals

STF certificate	<b>STF VTT-RTH-00085-17</b>
-----------------	-----------------------------



## Spare parts

---



### SP7460

	Code
01	602430V
02	109898
03	198094/2
03	178375V
04	602431V
05	178796V
06	178780V