

EAN: 6414150079115

[www.oras.com/en/products/oras/product/7455](http://www.oras.com/en/products/oras/product/7455)



Thermostatic shower faucet. Temperature handle equipped with safety stop at 38°C. Volume handle with EcoFlow control. The faucet includes vacuum breaker, litter filters and non-return valves. Oras Apollo shower set including hand shower with three spray options including EcoFlow control, adjustable max. 720 mm shower rail, soap tray and 1750 mm shower hose.

- Shower
- Thermostatic
- Wall mounted
- Chrome
- Temperature control handle, Flow control handle
- shower rail, hand shower, shower rail set, shower hose (1750 mm)
- needle
- Eco flow

## Technical data

### Flow properties

|                                   |                 |
|-----------------------------------|-----------------|
| Eco-flow at 300 kPa               | <b>0.2 l/s</b>  |
| Flow-rate at 300 kPa              | <b>0.28 l/s</b> |
| Pressure loss with flow (0.2 l/s) | <b>160 kPa</b>  |

### Technical properties

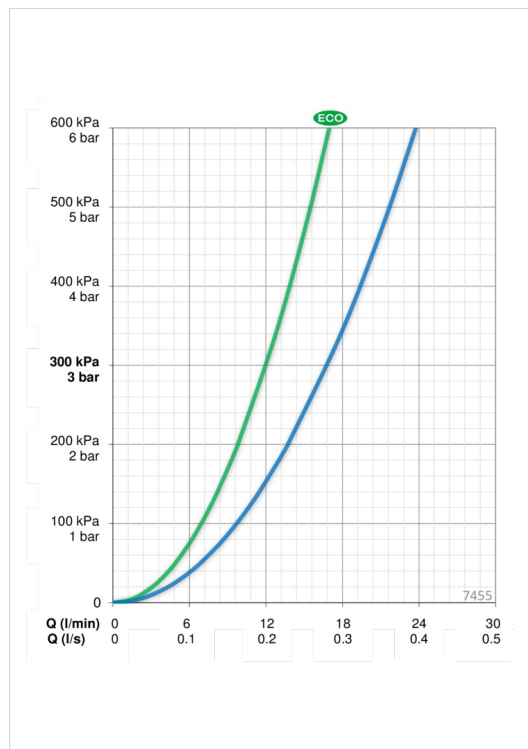
|                    |                       |
|--------------------|-----------------------|
| Hot water supply   | <b>max. +80°C</b>     |
| Working pressure   | <b>100 - 1000 kPa</b> |
| Connection size    | <b>G1/2</b>           |
| Installation width | <b>CC150± 3 mm</b>    |
| Material           | <b>brass</b>          |

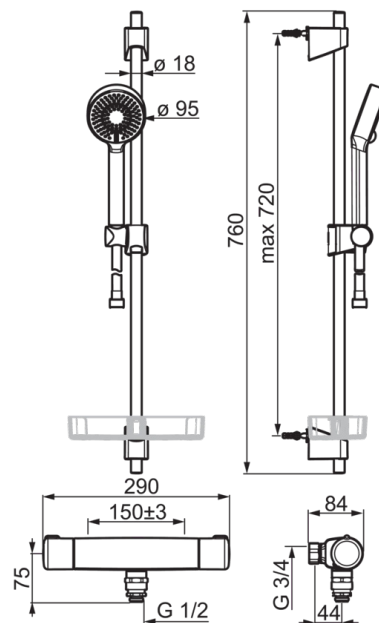
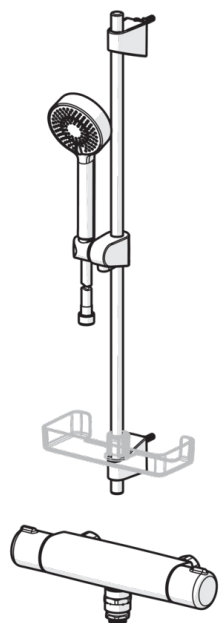
### Regulations

|             |                               |
|-------------|-------------------------------|
| EN standard | <b>EN 1111</b>                |
| Noise class | <b>I (ISO 3822) Oras lab.</b> |

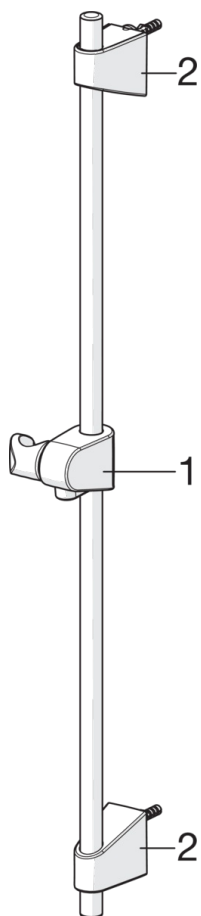
### Type approvals

|                 |                             |
|-----------------|-----------------------------|
| STF certificate | <b>STF VTT-RTH-00085-17</b> |
|-----------------|-----------------------------|



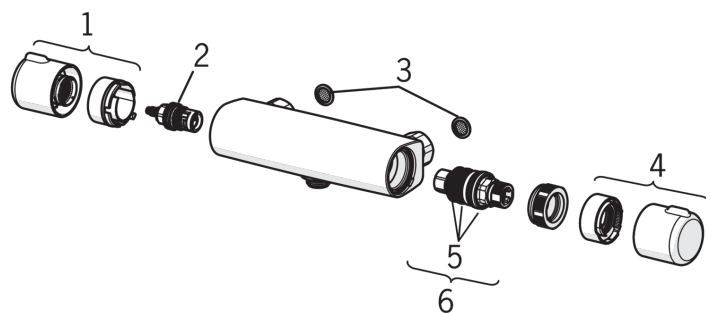


## Spare parts



### SP540

|    | Code    |
|----|---------|
| 01 | 601189V |
| 02 | 602331V |



### SP7460

|    | Code     |
|----|----------|
| 01 | 602430V  |
| 02 | 109898   |
| 03 | 198094/2 |
| 03 | 178375V  |
| 04 | 602431V  |
| 05 | 178796V  |
| 06 | 178780V  |