



ClearFlood

BVP650 LXTECO 6000/NW PSU S ALU

BVP650 - LED EconomyLine - 6000 lm - Symmetrical

ClearFlood is a range of floodlights that lets you choose the exact number of lumens you need for your application. Designed around state-of-the-art LEDs and extremely high-efficiency optics, this very competitive solution offers an industry-leading lux per euro ratio and significant energy savings. The choice of different optics opens up new application possibilities for LEDs. ClearFlood is easy to install and perfect for replacing conventional light-points as it uses the same electrical installation and poles. Selecting the required light output is also straightforward.

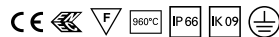
Product data

General Information			
Product Family Code	BVP650 [BVP650]	CE mark	CE mark
Number of light sources	1 [1 pc]	ENEC mark	ENEC mark
Lamp family code	LED EconomyLine	Optic type outdoor	S [Symmetrical]
Light source color	Neutral white	RAL color	Gray aluminum (9007)
Light source replaceable	Yes	Knife connector	-
Driver/power unit/transformer	PSU [Power supply unit]	Constant light output	No
Driver included	Yes	RoHS mark	-
Optical cover/lens type	FG [Flat glass]	WEEE mark	-
Embedded control	-	Initial input power	50 W
Light regulation	-	Light Technical	
Protection class IEC	Safety class I (I)	Light source flux	6000 lm
Finish	Matte	Operating and Electrical	
Coating	Single layer powder coating	Input Voltage	220 to 240 V
Glow-wire test	960/5 [Temperature 960 °C, duration 5 s]		
Flammability mark	For mounting on normally flammable surfaces		

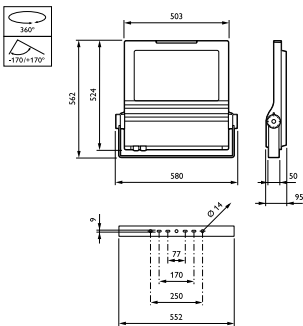
ClearFlood

Input Frequency	50-60 Hz
Temperature	
Average ambient temperature	+25 °C
Controls and Dimming	
Dimmable	No
Mechanical and Housing	
Housing Material	Aluminum
Optic material	Polymethyl methacrylate
Optical cover/lens material	Glass
Approval and Application	
Ingress protection code	IP66 [Dust penetration-protected, jet-proof]
Mech. impact protection code	IK09 [10 J]
Initial Performance (IEC Compliant)	
Initial luminous flux	5460 lm
Initial LED luminaire efficacy	109 lm/W
Init. Corr. Color Temperature	4000 K

Init. Color Rendering Index	75
Over Time Performance (IEC Compliant)	
Useful life L80B10	50000 h
Application Conditions	
Ambient temperature range	-20 to +40 °C
Product Data	
Full product code	871794317000500
Order product name	BVP650 LXTECO 6000/NW PSU S ALU
EAN/UPC - Product	8717943170005
Order code	912300022501
Numerator - Quantity Per Pack	1
Numerator - Packs per outer box	1
Material Nr. (12NC)	912300022501
Net Weight (Piece)	16.000 kg



Dimensional drawing



ClearFlood BVP650/651

