



Iridium, brackets

ZRS250 MB-S 60 L100

Mounting bracket 1 arm

A full range of brackets designed to ensure visual consistency between column and luminaire completes the Iridium family, offering a total solution.

Product data

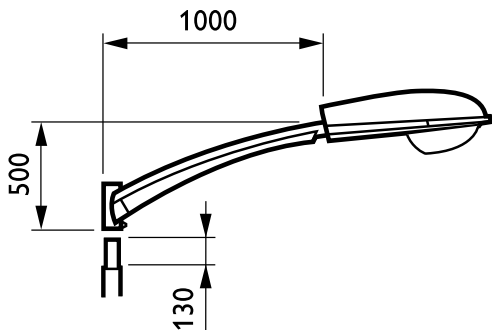
General Information	
Suspension accessories	Mounting bracket 1 arm
Decorative accessories	-
Accessory color	-
Product family code	ZRS250 [IRIDIUM]

Mechanical and Housing	
Length	1000 mm
Diameter	60 mm
Dimensions (Height x Width x Depth)	NaN x NaN x NaN mm (NaN x NaN x NaN in)

Product Data	
Full product code	871155958692200
Order product name	ZRS250 MB-S 60 L100
EAN/UPC - Product	8711559586922
Order code	910500716318
Numerator - Quantity Per Pack	1
Numerator - Packs per outer box	1
Material Nr. (12NC)	910500716318
Net Weight (Piece)	6.600 kg

Iridium, brackets

Dimensional drawing



ZRS250

