

EAN: 6414150066382

[www.oras.com/en/products/oras/product/6389](http://www.oras.com/en/products/oras/product/6389)



Thermostatic bath and shower faucet which quickly and accurately reacts on the temperature changes of input water maintaining the requested temperature. The temperature control handle is equipped with a temperature regulator which can be bypassed by pressing the button (preset to 38°C). The spout acts as a diverter turning 90° and controlling the water flow either from the spout or from the shower. Oras Eterna's EcoLed press pad indicates with signal lights the ideal duration of shower considering water and energy consumption and acts as a flow regulator. The faucet is delivered with litter filters and one-way valves.

Oras Natura shower set: With the eco-button on the hand shower you can save up to 50 % of water. Shower set includes: shower rail (adjustable installation distance), hand shower, hand shower holder, shower hose, a spacious soap cup and a wall bracket

- Bathroom, Shower
- Battery-operated, Thermostatic
- Wall mounted
- Chrome
- Temperature control handle
- diverter integrated in the spout
- press pad with EcoLed
- showerrail set, hand shower, shower rail, shower holder, shower hose (1500 mm)
- safety stop against scalding at 38°C, adjustable mix water temperature
- Litter filter(s), Non-return valve(s)
- ECO button

## Technical data

### Flow properties

Eco-flow at 300 kPa	<b>0.11 l/s</b>
Flow-rate at 300 kPa	<b>0.33 / 0.20 l/s</b>
Pressure loss with flow (0.2 l/s)	<b>300 kPa</b>
Pressure loss with flow (0.3 l/s)	<b>280 kPa</b>

### Technical properties

DN-size (nominal dimension)	<b>DN15</b>
Hot water supply	<b>max. +70°C</b>
Working pressure	<b>100 - 1000 kPa</b>
Connection size	<b>G1/2</b>
Installation width	<b>CC150± 3 mm</b>
Projection	<b>120 mm</b>
Material	<b>brass</b>

### Software settings

Max. flow period	<b>4 min</b>
------------------	--------------

### Electronic properties

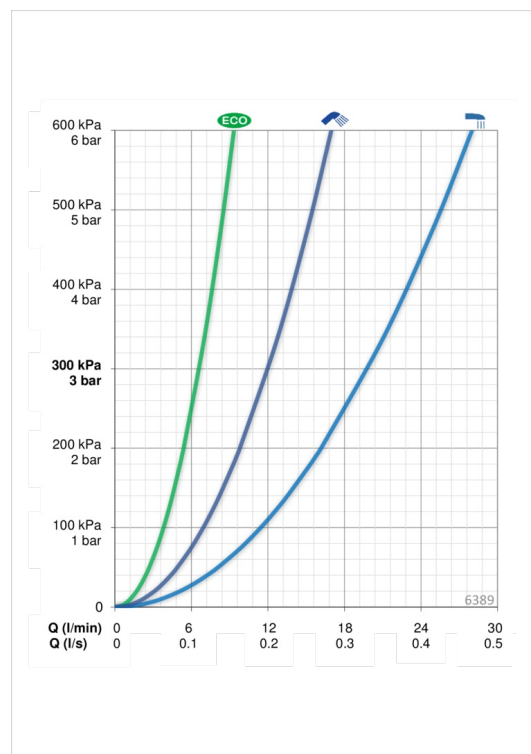
Battery	<b>AA 1.5 V Lithium x 2</b>
---------	-----------------------------

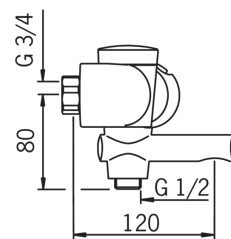
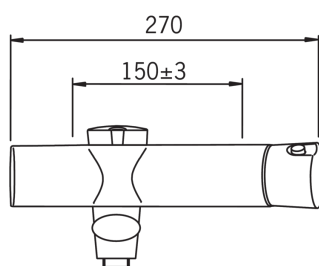
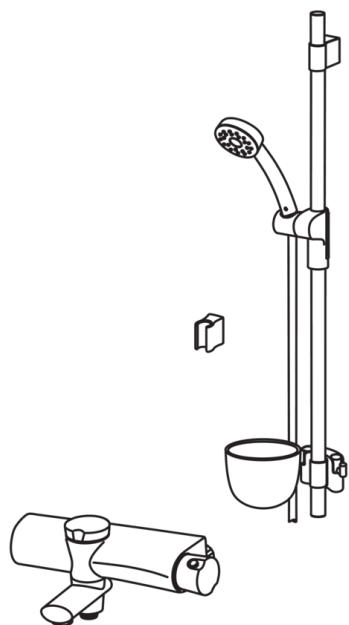
### Regulations

EMC Directive	<b>C€ 2004/108/EY</b>
EN standard	<b>EN 1111 , EN 15091</b>
Noise class	<b>II / I (ISO 3822)</b>
Protection class	<b>IP 55</b>

### Type approvals

STF certificate	<b>STF VTT-RTH-00064-12</b>
-----------------	-----------------------------





## Spare parts

### SP500

	Code
01	600536V
02	600538V



### SP6375

	Code
01	600609V
02	602269V
03	600599V
04	602180V
05	602182V
06	178375V
07	178796V
08	178780V
09	600612V
10	602303V
11	600679V
12	600680V

