



EAN: 6414150076435

www.oras.com/en/products/oras/product/6334FT

Touchless washbasin faucet with a temperature adjustment handle. Length of spout 120 mm. The faucet is equipped with litter filters, non-return valves and Autofocus sensor which enables installation without adjustments. The adjustment values can be changed according to the conditions in the place of use with pre-programmed parameters. Flow controller (6 l/min) enables low water consumption. Electrical connection with a plug transformer 230/12 V. Alternative: concealed power supply 199275. A maximum five of these items can be connected to the power supply at a time.

- Public & Semi-public, Health & Care
- Touchless, Plug-in transformer
- Deck mounted
- Chrome
- Temperature control handle
- Non-return valve(s), Litter filter(s)
- Autofocus sensor

Technical data

Flow properties

Flow-rate at 300 kPa (with flow controller)	0.1 l/s
Pressure loss with flow (0.1 l/s)	200 kPa

Technical properties

Hot water supply	max. +70°C
Working pressure	100 - 1000 kPa
Connection size	G3/8
Projection	120 mm
Material	brass

Software settings

Afterflow period	2 s ± 1 s
Max. flow period	2 min

Electronic properties

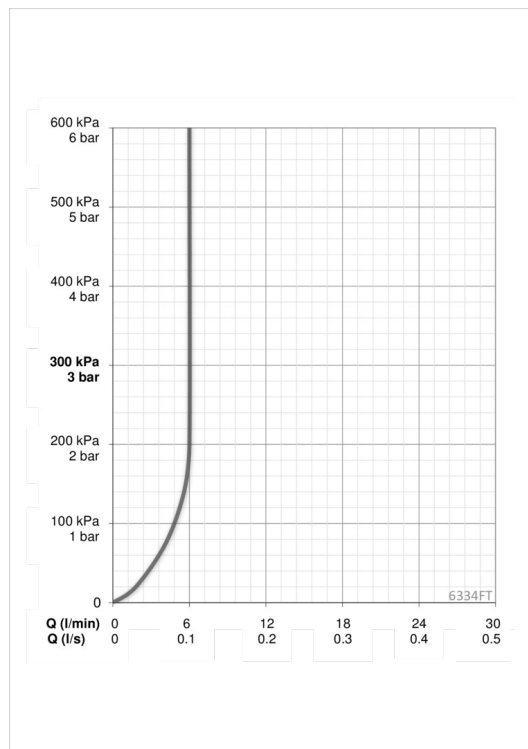
Electrical Connection	230 / 12 V
-----------------------	-------------------

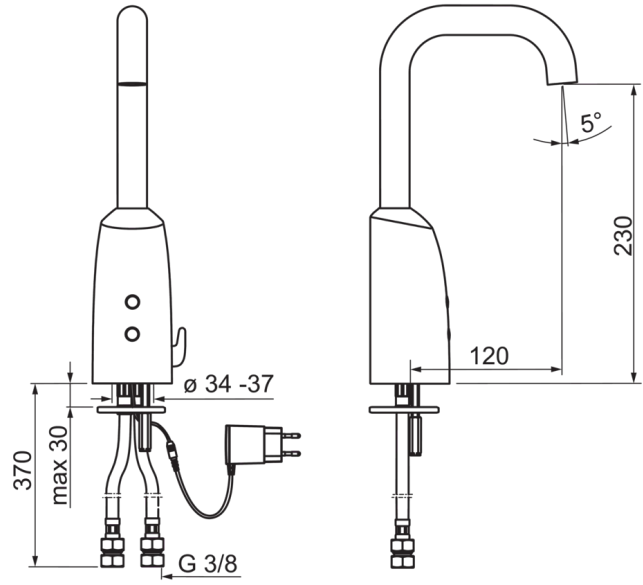
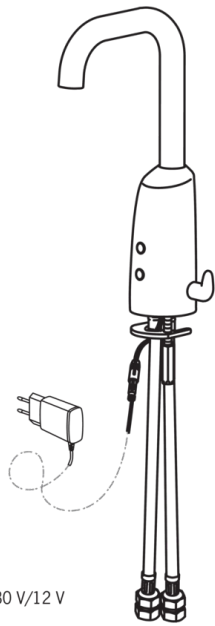
Regulations

EMC Directive	CE 2004/108/EY
EN standard	EN 15091
Noise class	I (ISO 3822)
Protection class	IP 55 / transformer IP 40

Type approvals

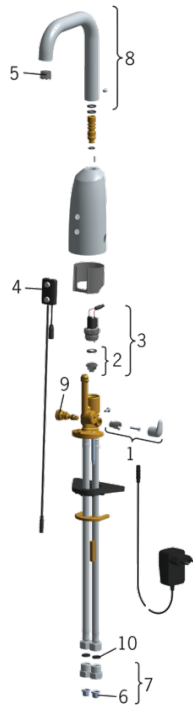
STF certificate	STF VTT-RTH-00031-11
ETA-Danmark	VA 1.42/19925





Spare parts

SP6334FT



	Code
01	600581V
02	199205V
03	199206V
04	600780V
05	600961V
06	199257/2
07	198473/2
08	600723V
09	199201V
10	600705/10