

EAN: 6414150065590

[www.oras.com/en/products/oras/product/6331F](http://www.oras.com/en/products/oras/product/6331F)



Touchless washbasin faucet with a temperature adjustment handle. Battery-operated 6 V. Length of spout 170 mm. The faucet is equipped with litter filters, non-return valves and Autofocus sensor which enables installation without adjustments. The adjustment values can be changed according to the conditions in the place of use with pre-programmed parameters. The impulse-controlled solenoid valve gives the battery a long operating life. Flow controller (6 l/min) enables low water consumption.

- Bathroom
- Touchless, Battery-operated
- Deck mounted
- Chrome
- Temperature control handle
- Non-return valve(s), Litter filter(s)
- Autofocus sensor, Impulse-controlled solenoid valve

## Technical data

### Flow properties

Flow-rate at 300 kPa (with flow controller)	<b>0.1 l/s</b>
Pressure loss with flow (0.1 l/s)	<b>200 kPa</b>

### Technical properties

Hot water supply	<b>max. +70°C</b>
Working pressure	<b>100 - 1000 kPa</b>
Connection size	<b>G3/8</b>
Projection	<b>170 mm</b>
Material	<b>brass</b>

### Software settings

Afterflow period	<b>2 s ± 1 s</b>
Max. flow period	<b>2 min</b>

### Electronic properties

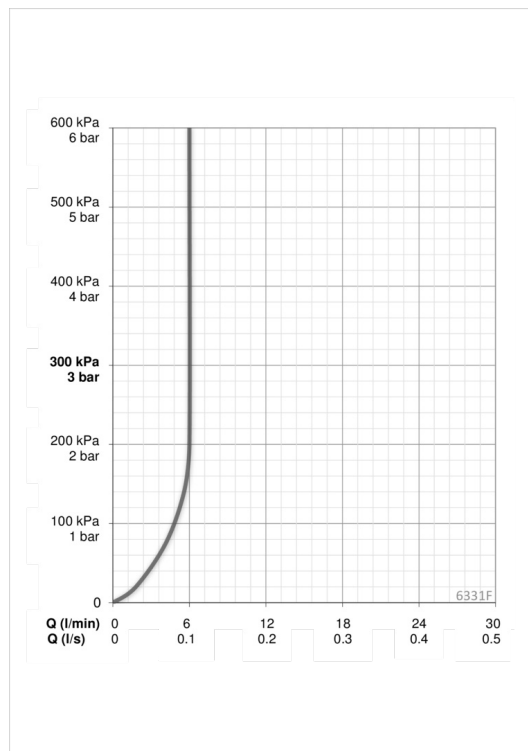
Battery	<b>Lithium 2CR5 6 V</b>
---------	-------------------------

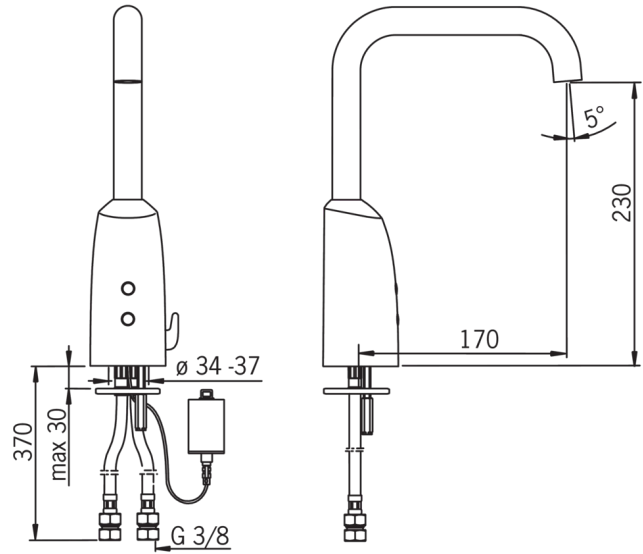
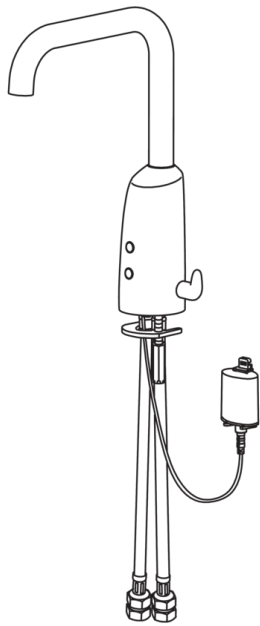
### Regulations

EMC Directive	<b>CE 2004/108/EY</b>
EN standard	<b>EN 15091</b>
Noise class	<b>I (ISO 3822)</b>
Protection class	<b>IP 55</b>

### Type approvals

STF certificate	<b>STF VTT-RTH-00031-11</b>
ETA-Danmark	<b>VA 1.42/19925</b>





## Spare parts



### SP6331F

	Code
01	199417V
02	198330
03	600581V
04	199205V
05	199206V
06	600774V
07	600961V
08	199257/2
09	198473/2
10	600724V
11	199201V
12	600705/10