

EAN: 6414150042140

www.oras.com/en/products/oras/product/6250F



Touchless washbasin faucet with a temperature adjustment handle (as factory default). The faucet can be easily modified for preset temperature or premixed water. Battery-operated 6 V. The faucet can be taken out of operation, e.g. for cleaning the basin, by placing a cleaning cover over the sensor. The faucet is equipped with litter filters, non-return valves and flexible pipes. No adjustments need to be made at installation because an advanced Autofocus sensor is used. The impulse-controlled solenoid valve gives the battery a long operating life. Flow controller (6 l/min.) enables low water consumption (0.5 l / instance of use).

- Public & Semi-public
- Battery-operated, Touchless
- Deck mounted
- Chrome
- Temperature control handle
- Cold or pre-tempered water
- Non-return valve(s), Litter filter(s)
- Autofocus sensor, Impulse-controlled solenoid valve
- Convertible for cold or premixed-water supply

Technical data

Flow properties

Flow-rate at 300 kPa (with flow controller)	0.1 l/s
Pressure loss with flow (0.1 l/s)	200 kPa

Technical properties

Hot water supply	max. +70°C
Working pressure	100 - 1000 kPa
Connection size	G3/8
Projection	112 mm
Material	brass

Software settings

Afterflow period	2 s ± 1 s
Max. flow period	2 min

Electronic properties

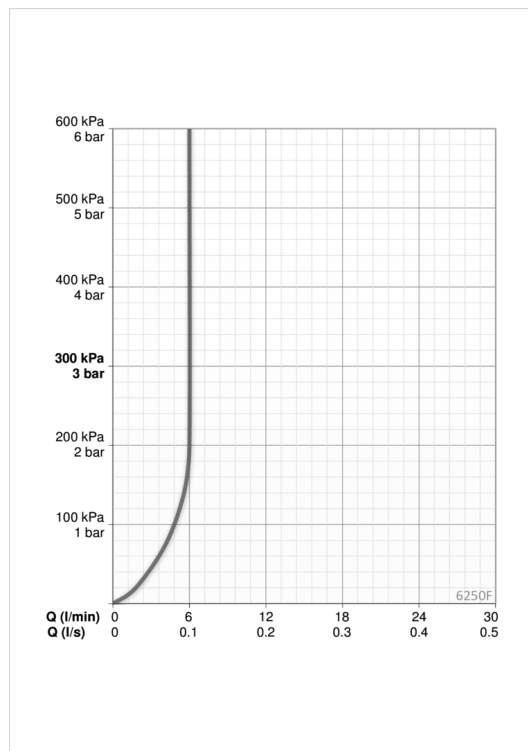
Battery	Lithium 2CR5 6 V
---------	-------------------------

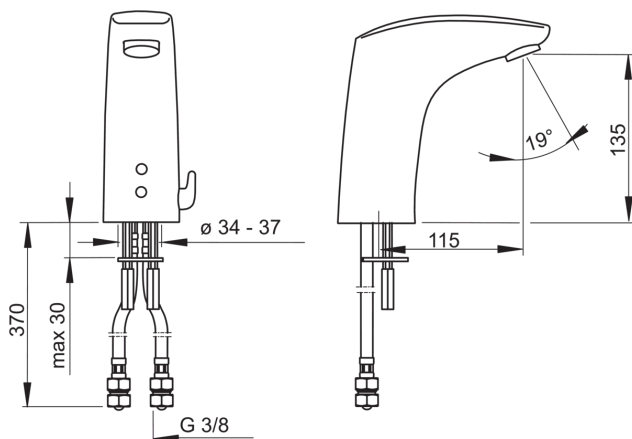
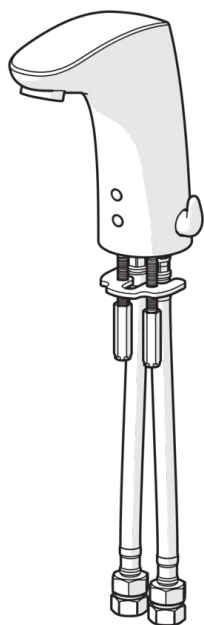
Regulations

EMC Directive	CE 2004/108/EY
EN standard	EN 15091
Noise class	I (ISO 3822)
Protection class	IP 55

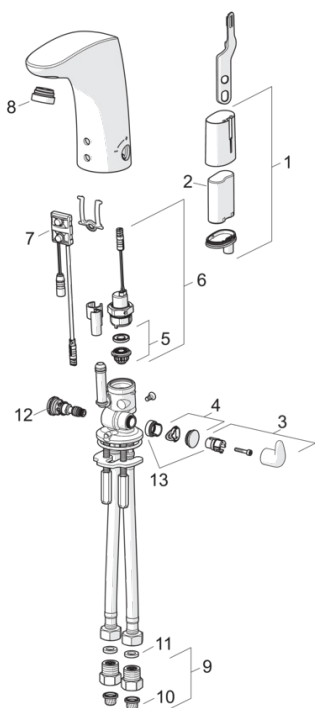
Type approvals

STF certificate	STF VTT-RTH-00031-11
ETA-Danmark	VA 1.42/19924





Spare parts



SP6250F

	Code
01	199417V
02	198330
03	600581V
04	600749V
05	199205V
06	199206V
07	600766V
08	198692
09	198473/2
10	199257/2
11	600705/10
12	199201V
13	601061V