



figure	630
ends form	flanged angle



FULL LIFT SAFETY VALVE zARMAK



body material	nominal pressure	nominal diameter	max. temperature	ex.index
A grey cast iron	C 16 bar	DN 20-150	300°C	6301
A grey cast iron	C 16 bar	DN 20-100	120°C	6301M
C nodular cast iron	E 40 bar	DN 20-100	350°C	6301S
F cast steel	E 40 bar	DN 20-150	400°C	6302
F cast steel	E 40 bar	DN 20-100	120°C	6302M
R acid resistant steel	E 40 bar	DN 20-100	300°C	6302CrNi
F cast steel	F 63 bar	DN 20-400	400°C	6303
F cast steel	G 100 bar	DN 25-100	400°C	6304

* Detailed types of valves are listed from page 25

CE 0045

CE 1433

FEATURES

- flange dimension according to PN EN 1092
- valves made according to PN EN ISO 4126-1
- high tightness
 - For valve with soft sealing
- quiet work of valve
- raised tightness of closure
- protection of disc sealing surface against a limescale settling as well as against any small mechanical dirt

APPLICATION

- industry
- heating
- power engineering
- petrochemical industry
- refrigeration and air conditioning

MEDIA

- water (including drinking water)
- sewage
- gas
- glykol
- steam
- compressed air
- neutral fluids
- aggressive media (suitable to resistance of materials used to building of valves)

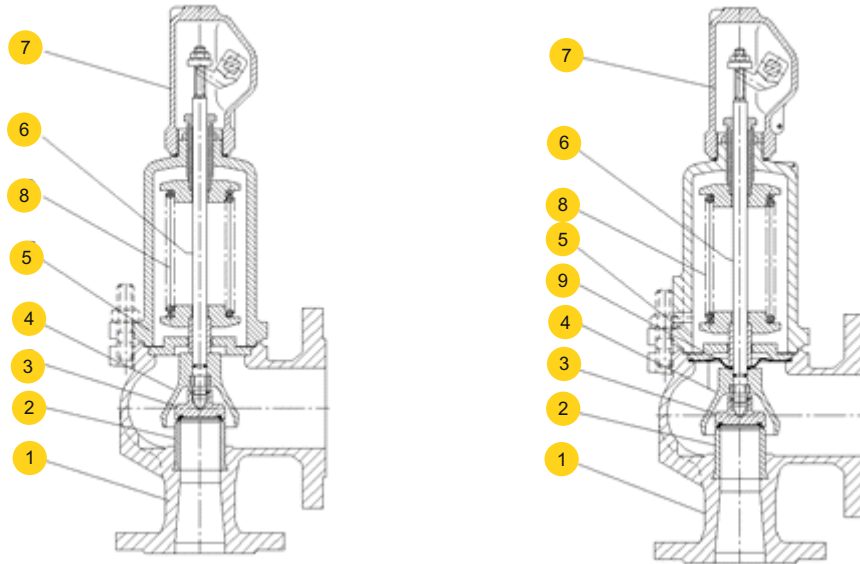
Data given can be changed without notice.

Edition 06/2016



figure	630
ends form	flanged angle

MATERIALS PN16 AND PN40



	body material	A (PN16)			C (PN40)		
		standard	with soft sealing disc	with membrane	standard	with soft sealing disc	
	type	01-1, 02-1, 03-1, 04-1 05-1, 06-1, 07-1, 08-1	01-2(3), 02-2(3), 03-2(3), 04-2(3), 05-2(3), 06-2(3), 07-2(3), 08-2(3)	01-4, 02-4, 05-4, 07-4	01-1, 02-1, 03-1, 04-1	01-2(3), 02-2(3), 03-2(3), 04-2(3)	
1	body	EN-GJL-250 5.1301			EN-GJS-400-18 5.3105		
2	seat	X39CrMo17-1 1.4122					
3	disc	X39CrMo17-1	X6CrNiTi18-10/EPDM or /NBR	X6CrNiTi18-10/EPDM	X39CrMo17-1	X6CrNiTi18-10/EPDM or /NBR	
4	lifting bell	EN-GJS-400-15 5.3106					
5	bonnet	EN-GJS-400-15 5.3106					
6	spindle	X20Cr13* 1.4021					
7	lifting cap	EN-GJS-400-15 5.3106					
8	spring	51CrV4** 1.8159					
9	membrane	-----			EPDM	-----	
	temperature range	-10...300°C***	-10...120°C EPDM -10...90°C NBR	-10...120°C	-10...350°C***	-10...120°C EPDM -10...90°C NBR	

* For marine type (05, 06, 07, 08) spindle made of: X17CrNi16-2

** Springs with wire diameter up to $\Phi 6$ of patent wire, max. working temperature is 250°C

***For steam boilers are restrictions according to WUDT-UC-WO-M- it is 10 bar and 200°C.



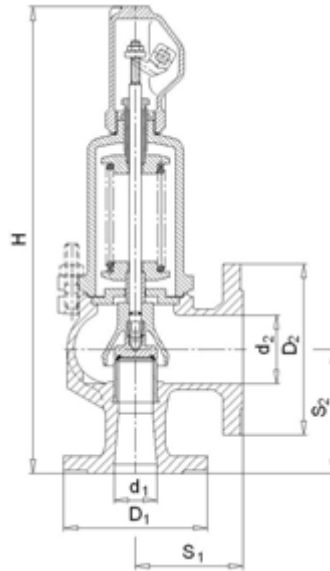
figure

630

ends
form

flanged
angle

DIMENSIONS PN16



body material A (PN16)														
DN	d _o	A	D ₁	D ₂	S ₁	S ₂	H	standard 01-1, 02-1, 03-1, 04-1, 05-1, 06-1, 07-1, 08-1		with membrane 01-4, 02-4, 05-4, 07-4		with soft sealing discs 01-2(3), 02-2(3), 03-2(3), 04-2(3), 05-2(3), 06-2(3), 07-2(3), 08-2(3)		
								Set pressure min max	Set pressure min max	Set pressure min max				
d1xd2	mm	mm ²	mm					bar					kg	
20x32	16	201	105	140	85	95	345	0,45	16*	0,45	10	1	16	7,5
25x40	20	314	115	150	95	105	395	0,45	16*	0,45	10	1	16	9,0
32x50	25	491	140	165	100	110	420	0,45	16*	0,45	10	1	16	13,0
40x65	32	804	150	185	115	130	495	0,45	16*	0,45	10	1	16	19,0
50x80	40	1257	165	200	125	145	550	0,45	16*	0,45	10	1	16	25,0
65x100	50	1964	185	220	140	150	660	0,45	16*	0,45	10	1	16	37,0
80x125	63	3117	200	250	155	170	710	0,45	16*	0,45	10	1	16	52,0
100x150	77	4657	220	285	175	180	810	0,45	16*	0,45	10	1	16	77,0
125x200	93	6793	250	340	215	220	860	0,45	12,5*	-	-	-	-	90,0
150x250	110	9503	285	395	225	245	990	0,45	10	-	-	-	-	140,0

*For steam boilers are restrictions according to WUDT-UC-WO-M- it is 10 bar and 200°C.

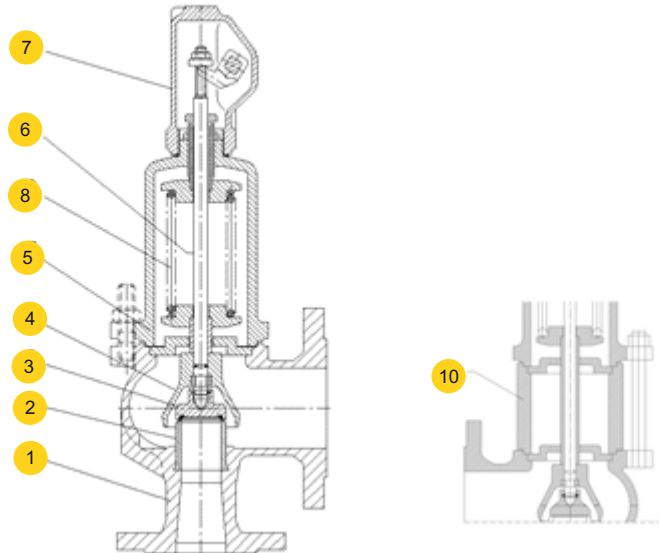
Data given can be changed without notice.

Edition 06/2016



figure	630
ends form	flanged angle

MATERIALS PN40



	body material	F (PN40)			R (PN40)
		standard	with soft sealing disc	with membrane	standard
	type	01-1, 02-1, 03-1, 04-1, 05-1, 06-1, 07-1, 08-1	01-2(3), 02-2(3), 03-2(3), 04-2(3), 05-2(3), 06-2(3), 07-2(3), 08-2(3)	01-4, 02-4	02-1, 04-1, 07-1, 08-1
1	body	GP240GH 1.0619			GX5CrNi19-10 1.4308
2	seat	X39CrMo17-1 1.4122			X6CrNiTi18-10 1.4310
3	disc	X39CrMo17-1 1.4122	X6CrNiTi18-10/EPDM or /NBR 1.4541		X6CrNiTi18-10 1.4310
4	lifting bell	EN-GJS-400-15 5.3106			GX5CrNi19-10 1.4308
5	bonnet	EN-GJS-400-15/GP240GH 5.3106/1.0619	EN-GJS-400-15 5.3106		GX5CrNi19-10 1.4308
6	spindle	X20Cr13* 1.4021			X6CrNiTi18-10 1.4310
7	lifting cap	EN-GJS-400-15 5.3106			GX5CrNi19-10 1.4308
8	spring	51CrV4** 1.8159			X6CrNiTi18-10 1.4310
9	membrane	-----		EPDM	-----
10	insert	P245GH 1.0352	-----		
	temperature range	-40...400°C***	-40...120°C	-40...120°C	-196...300°C

* For marine type (05, 06, 07, 08) spindle made of: X17CrNi16-2

**Springs with wire diameter up to $\Phi 6$ of patent wire, max. working temperature is 250°C



figure

630

ends
form

flanged
angle

DIMENSIONS PN40

body material C (PN40)												
DN	d _o	A	D ₁	D ₂	S ₁	S ₂	H	standard 01-1, 02-1, 03-1, 04-1, 05-1, 06-1, 07-1, 08-1		with soft sealing disc 01-2(3), 02-2(3), 03-2(3), 04-2(3)		
								Set pressure min max	Set pressure min max	Set pressure min max	Set pressure min max	
d1xd2	mm	mm ²	mm					bar				kg
20x32	16	201	105	140	85	95	345	0,45	40*	1	40*	7,5
25x40	20	314	115	150	95	105	395	0,45	40*	1	40*	9,0
32x50	25	491	140	165	100	110	420	0,45	40*	1	40*	13,0
40x65	32	804	150	185	115	130	495	0,45	32*	1	32*	19,0
50x80	40	1257	165	200	125	145	550	0,45	32*	1	32*	25,0
65x100	50	1964	185	220	140	150	660	0,45	32*	1	32*	37,0
80x125	63	3117	200	250	155	170	710	0,45	25*	1	25*	52,0
100x150	77	4657	239	285	175	180	810	0,45	20*	1	20*	77,0

*For steam boilers are restrictions according to WUDT-UC-WO-M- it is 10 bar and 200°C.

body material F/R (PN40)									body material F (PN40)					body material R (PN40)			
DN	d _o	A	D ₁	D ₂	S ₁	S ₂	H	H with insert	standard 01-1, 02-1, 03-1, 04-1, 05-1, 06-1, 07-1, 08-1		with soft sealing disc 01-2(3), 02-2(3), 03-2(3), 04-2(3), 05-2(3), 06-2(3), 07-2(3), 08-2(3)		with membrane 01-4, 02-4	standard 02-1, 04-1, 07-1, 08-1			
									Set pressure min max	Set pressure min max	Set pressure min max	Set pressure min max	Set pressure min max	Set pressure min max			
d1xd2	mm	mm ²	mm						bar					kg			
20x32	16	201	105	140	85	95	345	405	0,45	40	1	40	0,45	10	0,5	40	8,0
25x40	20	314	115	150	95	105	395	465	0,45	40	1	40	0,45	10	0,5	40	10,0
32x50	25	491	140	165	100	110	420	495	0,45	40	1	40	0,45	10	0,5	40	14,0
40x65	32	804	150	185	115	130	495	585	0,45	32	1	32	0,45	10	0,5	32	20,0
50x80	40	1257	165	200	125	145	550	655	0,45	32	1	32	0,45	10	0,5	32	27,0
65x100	50	1964	185	220	140	150	660	770	0,45	32	1	32	0,45	10	0,5	32	39,0
80x125	63	3117	200	250	155	170	710	840	0,45	25	1	25	0,45	10	0,5	25	55,0
100x150	77	4657	235	285	175	180	810	955	0,45	20	1	20	0,45	10	0,5	20	82,0
125x200	93	6793	270	340	215	220	860	970	0,45	12,5	-	-	-	-	-	-	100,0
150x250	110	9503	300	395	225	245	990	-	0,45	10	-	-	-	-	-	-	155,0

*For steam boilers are restrictions according to WUDT-UC-WO-M- it is 10 bar and 200°C.

Data given can be changed without notice.

Edition 06/2016



figure	630
ends form	flanged angle

DISCHARGE COEFFICIENTS PN16 AND PN40

Body material: A, C, F, R
 Standard type (01-1, 02-1, 03-1, 04-1, 05-1, 06-1, 07-1, 08-1, 01-2(3), 02-2(3), 03-2(3), 04-2(3), 05-2(3), 06-2(3), 07-2(3), 08-2(3))
 Nominal pressure: PN16, PN40

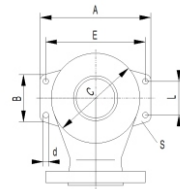
Type of valves	DN	for vapours and gases Kdr		With lift reduction		
		b ₁ = 0,1bar (p ≤ 1bar) or b ₁ = 10% 1 < p ≤ 1,4 bar	b ₁ = 10% p > 1,4 bar	for liquids Kdr		for vapours and gases Kdr b ₁ =10%
				b ₁ = 10%		
		p ≤ 6 bar	p > 6 bar			
630	20 to 150	0,72	0,78	0,01	0,28	0,36

Body material: A, F
 Type with membrane (01-4, 02-4, 05-4, 07-4)
 Nominal pressure: PN16, PN40

Type of valve	DN	for vapours and gases Kdr		for liquids Kdr	
		b ₁ = 0,1bar (p ≤ 1bar) or b ₁ = 10% 1 < p ≤ 1,4 bar	b ₁ = 10% p > 1,4 bar	b ₁ = 0,1 bar p ≤ 1,0 bar	b ₁ = 10% p > 1,0 bar
630	20 to 100	0,72	0,78	0,50	0,50

DIMENSIONS OF SUPPORTED LUG PN16 AND PN40

Drill of supported lugs only onto client's request



Body material: F
 All types
 Nominal pressure: PN40

DN	A	B	C	L	E	d	s
	mm						
40 x 65	180	84	134	65	155	14	10
50 x 80	210	93	160	70	180	14	12
65 x 100	245	94	196	70	215	14	12
80 x 125	300	100	240	90	270	18	15
100 x 150	320	160	280	130	285	18	15
125 x 200	365	120	300	90	330	18	15
150 x 250	415	150	360	120	380	18	15

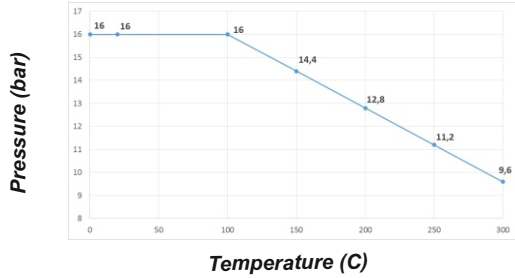
Body material: R
 All types
 Nominal pressure: PN40

DN	A	B	C	L	E	d	s
	mm						
40 x 65	180	84	134	65	155	14	10
50 x 80	210	93	160	70	180	14	12
65 x 100	245	94	196	70	215	14	12
80 x 125	300	100	240	90	270	18	15
100 x 150	320	160	280	130	285	18	15

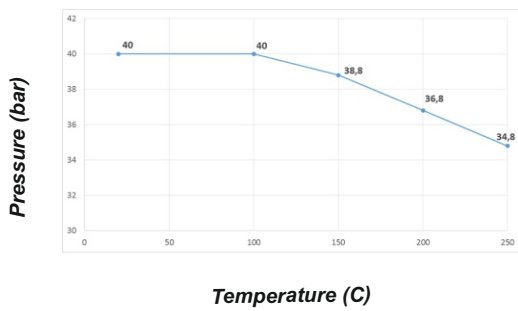


figure	630
ends form	flanged angle

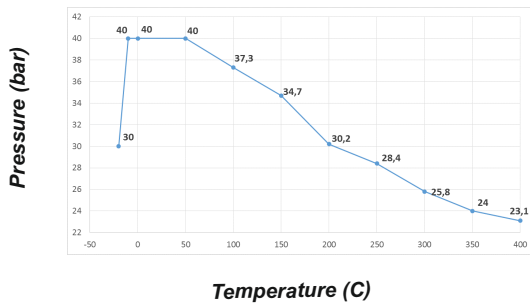
PRESSURE-TEMPERATURE RATINGS PN16 AND PN40



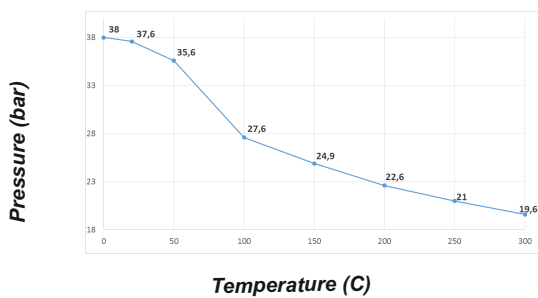
Allowed working conditions range
PN16 EN-GJL-250 5.1301



Allowed working conditions range
PN40 EN-GJS-400-18 5.3105



Allowed working conditions range
PN40 GP240GH 1.0619



Allowed working conditions range
PN40 GX5CrNi19-10 1.4303

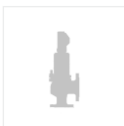
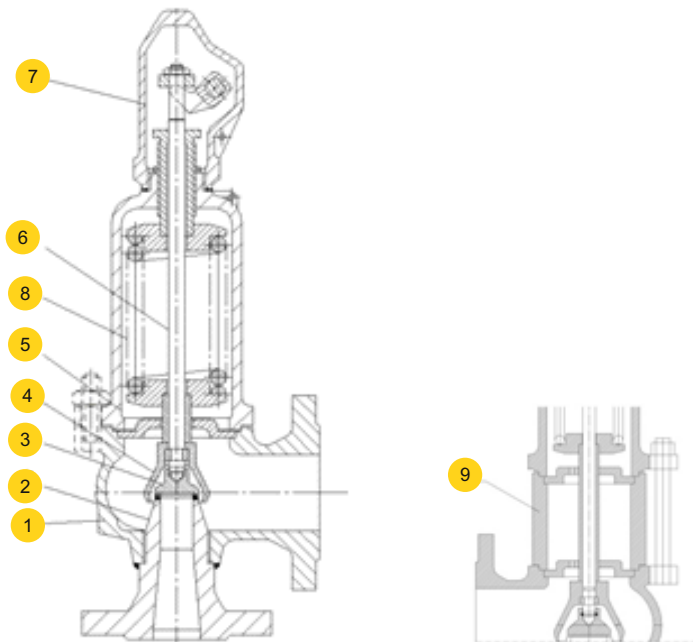


figure	630
ends form	flanged angle

MATERIALS PN63 AND PN100



	body material	F (PN63 AND PN100)	
		standard	with soft sealing disc
		01-1, 02-1, 03-1, 04-1	01-2(3), 02-2(3), 03-2(3)
1	body	GP240GH 1.0619	
2	inlet nozzle	C22, P355N, 13CrMo4-5*, **** 1.0402, 1.0473, 1.7335	
3	disc	X39CrMo17-1** 1.4122	X6CrNiTi18-10/EPDM or /NBR 1.4541
4	lifting bell	EN-GJS-400-15*** 5.3106	
5	bonnet	EN-GJS-400-15/GP240GH 5.3106/1.0619	
6	spindle	X20Cr13 1.4021	
7	lifting cap	EN-GJS-400-15*** 5.3106	
8	spring	51CrV4 1.8159	
9	insert	P245GH 1.0352	-----
	temperature range	-40...400°C***	-40...120°C

* ex.6303 - up DN 125 GP240GH
 **ex.6303 - from DN 200 GX5CrNi19-10
 ***ex.6303 - from DN 200 GP240GH
 **** for temperature under -10°C - nozzle material P355N



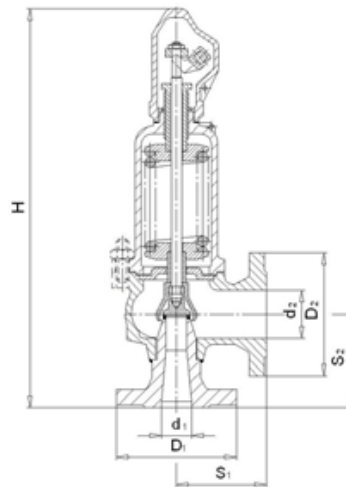
figure

630

ends
form

flanged
angle

DIMENSIONS PN63



body material F, PN63, standard type (01-1,02-1, 03-1, 04-1)

DN	d _o	A	D ₁		D ₂		S ₁	S ₂	H	H with insert	Set pressure			
			PN25	PN40	PN63	PN10					PN25	PN40		min
d1xd2	mm	mm ²	mm						mm		bar		kg	
20x32	16	201	105*	130			140	95	110	400	470	38	62	12,0
25x40	20	314	115*	140			150	100	110	420	495	38	62	14,0
32x50	25	491	140*	155			165	110	115	475	560	38	62	20,0
40x65	32	804	150*	170			185	130	140	535	640	30	50	28,0
50x80	40	1257	165*	180			200	145	150	650	760	30	50	40,0
65x100	50	1964	185*	205			235	155	160	685	815	30	50	50,0
80x125	63	3117	200*	215			270	190	180	790	935	23	40	80,0
100x150	77	4657	235*	250			300	210	200	940	-***	18	32	130,0
125x200	93	6793	270*	295	340	360		215	220	980	-***	12	25	150,0
150x250	110	9503	300		405**			225	245	1020	-***	9,5	16	180,0
200x300	155	18870	360		445			265	290	1210	-***	0,45	10	300,0
300x400	220	38010	485		565			335	370	1480	-***	0,3	7	470,0
400x500	280	61575	620		670			375	415	1650	-***	0,25	4,5	550,0

* if the set pressure makes it possible - on client's request

** drill of outlet flange for PN 16

*** type with insert for DN > 80, on client's request

For temperatures above 350°C, type with insert is recommended.



figure	630
ends form	flanged angle

DIMENSIONS PN63

body material F, PN63, type with soft sealing disc (01-2(3),02-2(3), 03-2(3), 04-2(3))											
DN	d _o	A	D ₁		D ₂	S ₁	S ₂	H	Set pressure min max		
d1xd2	mm	mm ²	mm			mm			bar		kg
			PN40	PN63	PN40						
20x32	16	201	105*	130	140	95	110	400	38	62	12,0
25x40	20	314	115*	140	150	100	110	420	38	62	14,0
32x50	25	491	140*	155	165	110	115	475	38	62	20,0
40x65	32	804	150*	170	185	130	140	535	30	50	28,0
50x80	40	1257	165*	180	200	145	150	650	30	50	40,0
65x100	50	1964	185*	205	235	155	160	685	30	50	50,0
80x125	63	3117	200*	215	270	190	180	790	23	40	80,0
100x150	77	4657	235*	250	300	210	200	940	18	32	130,0

* if the set pressure makes it possible - on client's request

DISCHARGE COEFFICIENTS PN63

Body material: F
Standard type (01-1, 02-1, 03-1, 04-1, 05-1, 06-1, 07-1, 08-1)
Nominal pressure: PN63

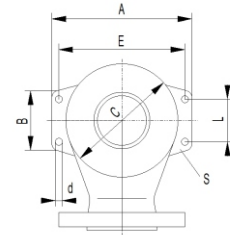
Type of valves	DN	for vapours and gases Kdr		with reduction of leap	
		b ₁ = 0,1bar (p ≤ 1,0 bar) or b ₁ = 10% 1 < p ≤ 1,4 bar	b ₁ = 10% p > 1,4 bar	for liquids Kdr	for vapours and gases Kdr
				b ₁ = 10%	b ₁ = 10%
630	20 to 150	–	0,78	0,28	0,36
	200	0,70	0,74	–	–
	300	0,54	0,70		
	400				



figure	630
ends form	flanged angle

DIMENSIONS OF SUPPORTED LUG PN63

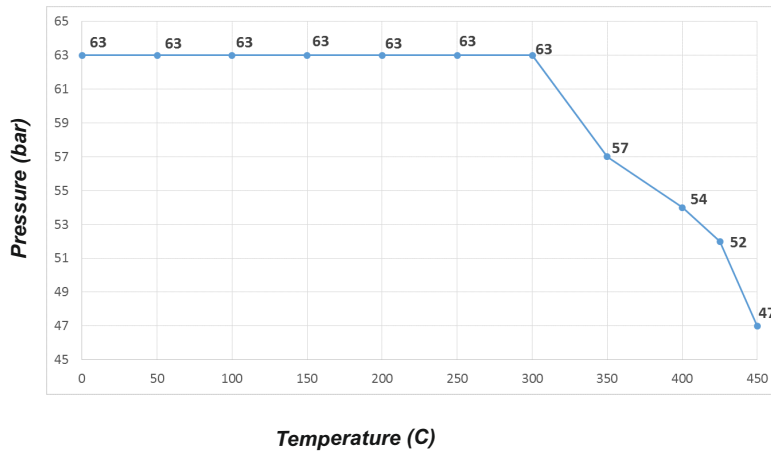
Drill of supported lugs only onto client's request



Body material: F
All types
Nominal pressure: PN63

DN	A	B	C	L	E	d	s
	mm						
40 x 65	186	93	140	70	156	14	12
50 x 80	210	95	165	70	180	14	12
65 x 100	250	95	205	70	220	14	12
80 x 125	295	120	240	90	260	18	15
100 x 150	320	120	265	90	285	18	15
125 x 200	365	120	300	90	330	18	15
150 x 250	415	150	360	120	380	18	15
200 x 300	510	180	450	150	470	23	20
300 x 400	695	210	600	180	655	23	20
400 x 500	800	230	715	200	760	23	20

PRESSURE-TEMPERATURE RATINGS PN63



Allowed working conditions range PN63 13CrMo4-5 1.7335



figure

630

ends
formflanged
angle

DIMENSIONS PN100

body material F, PN100, standard type and with soft sealing disc														
DN	d _o	A	D ₁			D ₂			S ₁	S ₂	H	H with insert	Opening pressure min max	
d1xd2	mm	mm ²	mm			mm			mm		bar		kg	
			PN63	PN100	PN40									
25x40	16	201	-	140	150	100	120	430	505	60	95	15,0		
32x50	20	314	-	155	165	110	125	485	570	60	95	20,0		
40x65	25	491	-	170	185	130	140	535	640	48	95	28,0		
50x80	32	804	-	195	200	145	150	650	760	48	95	40,0		
65x100	40	1257	-	220	235	155	165	685	812	48	95	50,0		
80x125	50	1964	-	230	270	190	185	795	940	38	78	80,0		
100x150	63	3117	250	-	300	210	200	940	-*	30	62	130,0		

* if the opening pressure makes it possible - on client's request
For temperatures above 350°C, type with insert is recommended.

DISCHARGE COEFFICIENTS PN100

Body material: F
All types
Nominal pressure: PN100

Type of valves	DN	for vapours and gases Kdr	with reduction of leap	
			for liquids Kdr	for vapours and gases Kdr
		b ₁ = 10%	b ₁ = 10%	b ₁ =10%
630	25 to 100	0,78	0,28	0,36

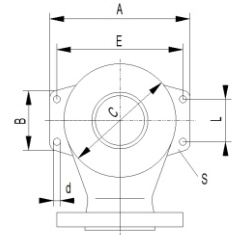


figure	630
ends form	flanged angle

DIMENSIONS OF SUPPORTED LUG PN100

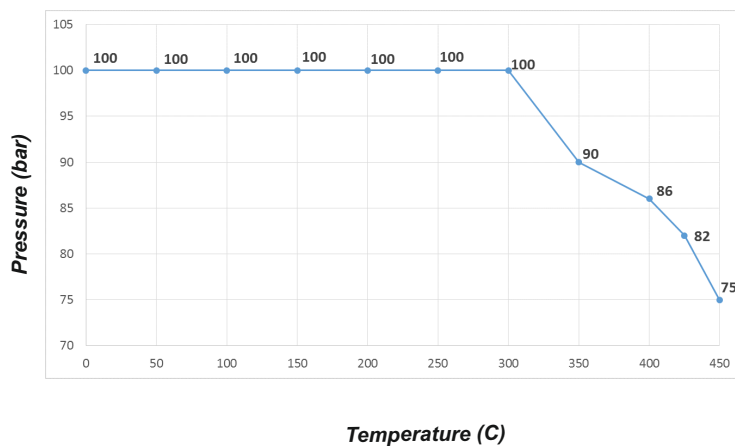
Drill of supported lugs only onto client's request

Body material: F
All types
Nominal pressure: PN100



DN	A	B	C	L	E	d	s
	mm						
40 x 65	186	93	140	70	156	14	12
50 x 80	210	95	165	70	180	14	12
65 x 100	250	95	205	70	220	14	12
80 x 125	295	120	240	90	260	18	15
100 x 150	320	120	265	90	285	18	15

PRESSURE-TEMPERATURE RATINGS PN100



Allowed working conditions range PN100 13CrMo4-5 1.7335

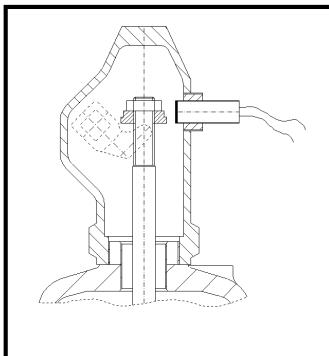


figure

630

ends
formflanged
angle**BASIC DATA OF SENSOR PN16, PN40, PN63, PN100**

- Working range [mm]: 3 (M8); 6 (M12); 10 (M18)
- Supply voltage [V]: 10 ÷ 30 DC
- Protection grade: IP67 (M8); IP68 (M12 and M18)
- Working temperature: -25 ÷ +70°C
- Standard length of cable [mm]: 2000
- The other executions of sensor available on client's request.
- The sensor working in range of temperature: -25 ÷ +230°C are used on client's request.

**NOTES**

- If condensate accumulates, the blow-out installation should be drainholed the lowest point. The drainhole in valve's body is made only on special request of the client.
- In case of liquids, the blow-out installation should be inclined.
- The valve should be mounted in vertical position.



figure

630

ends
formflanged
angle

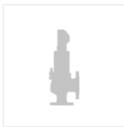
CAPACITY TABLE FOR AIR

DNxDN PN100	25x40	32x50	40x65	50x80	65x100	80x125	100x150						
DNxDN PN16, PN40, PN63	20x32	25x40	32x50	40x65	50x80	65x100	80x125	100x150	125x200	150x250	200x300	300x400	400x500
A- bore area [mm ²]	16	20	25	32	40	50	63	77	93	110	155	220	280
Set pressure bar(g)	Air at 20°C (kg/h)												
0,45	185	289	451	739	1156	1806	2866	4281	6245	8737	16 866	26 208	42 457
0,5	193	301	471	771	1205	1883	2988	4464	6512	9110	17 587	27 328	44 270
0,55	200	313	489	801	1252	1956	3105	4639	6766	9466	18 274	28 396	46 001
0,6	207	324	507	830	1297	2027	3217	4806	7010	9807	18 933	29 419	47 659
0,7	221	345	540	884	1382	2160	3428	5121	7470	10 450	20 174	31 348	50 783
0,8	234	365	571	935	1461	2283	3624	5414	7898	11 049	21 330	33 144	53 693
0,9	246	384	601	984	1538	2404	3815	5699	8314	11 630	22 452	34 889	56 519
1	258	404	631	1033	1615	2524	4005	5984	8729	12 212	23 575	36 633	59 344
1,1	272	425	664	1087	1700	2656	4215	6298	9186	12 851	24 810	38 552	62 453
1,2	285	446	697	1141	1785	2788	4425	6611	9644	13 491	26 045	40 471	65 562
1,3	299	467	730	1196	1869	2920	4635	6925	10 101	14 131	27 280	42 390	68 670
1,4	312	488	763	1250	1954	3053	4845	7238	10 558	14 770	28 515	44 309	71 779
1,6	368	575	898	1471	2300	3593	5703	8521	12 429	17 387	32 755	62 412	101 105
1,8	397	620	970	1588	2483	3880	6158	9200	13 419	18 773	35 366	67 387	109 165
2	426	666	1042	1706	2667	4166	6612	9879	14 410	20 159	37 977	72 362	117 224
2,2	456	712	1113	1823	2850	4453	7067	10 558	15 401	21 545	40 588	77 337	125 283
2,4	485	758	1185	1940	3033	4739	7521	11 237	16 392	22 931	43 198	82 311	133 342
2,6	514	803	1256	2057	3216	5026	7976	11 917	17 382	24 317	45 809	87 286	141 401
2,8	544	849	1328	2175	3400	5312	8431	12 596	18 373	25 703	48 420	92 261	149 460
3	573	895	1400	2292	3583	5598	8885	13 275	19 364	27 089	51 031	97 236	157 519
3,5	646	1010	1579	2585	4041	6315	10 022	14 973	21 840	30 553	57 558	109 673	177 667
4	720	1124	1758	2878	4500	7031	11 158	16 671	24 317	34 018	64 086	122 110	197 815
4,5	793	1239	1937	3171	4958	7747	12 295	18 369	26 794	37 483	70 613	134 548	217 963
5	866	1353	2116	3464	5416	8463	13 431	20 067	29 271	40 948	77 140	146 985	
5,5	939	1467	2295	3758	5875	9179	14 567	21 765	31 747	44 413	83 667	159 422	
6	1013	1582	2474	4051	6333	9895	15 704	23 463	34 224	47 878	90 195	171 859	

Capacity calculated at overpressure 0,1 bar or 10%

Data given can be changed without notice.

Edition 06/2016



CAPACITY TABLE FOR AIR

DNxDN PN100	25x40	32x50	40x65	50x80	65x100	80x125	100x150						
DNxDN PN16, PN40, PN63	20x32	25x40	32x50	40x65	50x80	65x100	80x125	100x150	125x200	150x250	200x300	300x400	400x500
A- bore area [mm ²]	16	20	25	32	40	50	63	77	93	110	155	220	280
Set pressure bar(g)	Air at 20°C (kg/h)												
6,5	1086	1696	2653	4344	6791	10 611	16 840	25 161	36 701	51 342	96 722	184 296	
7	1159	1811	2832	4637	7250	11 327	17 977	26 859	39 178	54 807	103 249	196 733	
8	1306	2040	3190	5223	8166	12 759	20 250	30 254	44 131	61 737	116 303		
9	1452	2269	3548	5810	9083	14 191	22 523	33 650	49 085	68 666	129 358		
10	1599	2498	3906	6396	9999	15 624	24 796	37 046	54 038	75 596	142 412		
11	1746	2727	4264	6982	10 916	17 056	27 069	40 442	58 992	82 526			
12	1892	2956	4622	7568	11 833	18 488	29 342	43 838	63 945	89 455			
14	2185	3414	5338	8741	13 666	21 352	33 887	50 630	73 852	103 315			
16	2478	3872	6054	9913	15 499	24 217	38 433	57 422	83 759	117 174			
18	2772	4330	6770	11 086	17 332	27 081	42 979	64 214	93 666				
20	3065	4788	7486	12 259	19 166	29 945	47 525	71 005	103 573				
23	3504	5474	8560	14 017	21 915	34 242	54 344	81 193	118 434				
25	3798	5932	9276	15 190	23 749	37 106	58 890	87 985	128 341				
30	4530	7077	11 067	18 121	28 332	44 267	70 254	104 965					
32	4823	7535	11 783	19 294	30 165	47 131	74 800	111 756					
38	5703	8909	13 931	22 812	35 665	55 724	88 438						
40	5996	9367	14 647	23 984	37 498	58 588	92 984						
45	6729	10 512	16 437	26 916	42 081	65 749	104 348						
50	7462	11 657	18 227	29 847	46 664	72 910	115 713						
55	8195	12 802	20 018	32 778	51 247	80 071	127 078						
62	9221	14 404	22 524	36 882	57 663	90 096	142 988						
65	9660	15 091	23 598	38 641	60 413	94 392							
70	10 393	16 236	25 388	41 573	64 996	101 553							
78	11 566	18 068	28 253	46 263	72 329	113 010							
86	12 738	19 900	31 117	50 953	79 662								
95	14 057	21 960	34 339	56 230	87 911								

Capacity calculated at overpressure 0,1 bar or 10%



figure

630

ends
formflanged
angle

CAPACITY TABLE FOR AIR FOR VALVES WITH MEMBRANE

DNxDN PN16,PN40*	20x32	25x40	32x50	40x65	50x80	65x100	85x125	100x150
Set pressure bar(g)	Air at 20°C (kg/h)							
0,45	185	289	451	739	1156	1806	2866	4281
0,50	193	301	471	771	1205	1883	2988	4464
0,55	200	313	489	801	1252	1956	3105	4639
0,60	207	324	507	830	1297	2027	3217	4806
0,65	214	335	524	857	1341	2095	3324	4967
0,70	221	345	540	884	1382	2160	3428	5121
0,75	227	355	556	910	1423	2223	3527	5270
0,80	234	365	571	935	1461	2283	3624	5414
0,85	240	375	586	959	1500	2344	3719	5557
0,90	246	384	601	984	1538	2404	3815	5699
0,95	252	394	616	1009	1577	2464	3910	5842
1,00	258	404	631	1033	1615	2524	4005	5984
1,10	272	425	664	1087	1700	2656	4215	6298
1,20	285	446	697	1141	1785	2788	4425	6611
1,30	299	467	730	1196	1869	2920	4635	6925
1,40	312	488	763	1250	1954	3053	4845	7238
1,50	353	552	863	1412	2208	3450	5476	8181
1,60	368	575	898	1471	2300	3593	5703	8521
1,70	382	597	934	1530	2392	3737	5930	8860
1,80	397	620	970	1588	2483	3880	6158	9200
1,90	412	643	1006	1647	2575	4023	6385	9539
2,00	426	666	1042	1706	2667	4166	6612	9879
2,20	456	712	1113	1823	2850	4453	7067	10 558
2,40	485	758	1185	1940	3033	4739	7521	11 237
2,60	514	803	1256	2057	3216	5026	7976	11 917
2,80	544	849	1328	2175	3400	5312	8431	12 596
3,00	573	895	1400	2292	3583	5598	8885	13 275
3,20	602	941	1471	2409	3766	5885	9340	13 954
3,40	632	987	1543	2526	3950	6171	9794	14 633
3,60	661	1032	1614	2644	4133	6458	10 249	15 312
3,80	690	1078	1686	2761	4316	6744	10 703	15 992

* PN40 only for body material F
Capacity calculated at overpressure 0,1 bar or 10%



figure

630

ends
formflanged
angle
CAPACITY TABLE FOR AIR FOR VALVES WITH MEMBRANE

DNxDN PN16,PN40*	20x32	25x40	32x50	40x65	50x80	65x100	85x125	100x150
Set pressure bar(g)	Air at 20°C (kg/h)							
4,00	720	1124	1758	2878	4500	7031	11 158	16 671
4,50	793	1239	1937	3171	4958	7747	12 295	18 369
5,00	866	1353	2116	3464	5416	8463	13 431	20 067
5,50	939	1467	2295	3758	5875	9179	14 567	21 765
6,00	1013	1582	2474	4051	6333	9895	15 704	23 463
6,50	1086	1696	2653	4344	6791	10 611	16 840	25 161
7,00	1159	1811	2832	4637	7250	11 327	17 977	26 859
7,50	1233	1925	3011	4930	7708	12 043	19 113	28 557
8,00	1306	2040	3190	5223	8166	12 759	20 250	30 254
8,50	1379	2154	3369	5516	8624	13 475	21 386	31 952
9,00	1452	2269	3548	5810	9083	14 191	22 523	33 650
10,00	1599	2498	3906	6396	9999	15 624	24 796	37 047

* PN40 only for body material F
Capacity calculated at overpressure 0,1 bar or 10%



figure

630

ends
form

flanged
angle

CAPACITY TABLE FOR WATER

DNxDN PN100	25x40	32x50	40x65	50x80	65x100	80x125	100x150						
DNxDN PN16, PN40, PN63	20x32	25x40	32x50	40x65	50x80	65x100	80x125	100x150	125x200	150x250	200x300	300x400	400x500
A- bore area [mm ²]	16	20	25	32	40	50	63	77	93	110	155	220	280
Set pressure bar(g)	Water at 20°C (kg/h)												
0,45	70,7	111	176	290	456	716	1141	1711	2504	3511	7002	14 157	22 985
0,50	74,0	117	184	303	477	748	1193	1789	2617	3669	7317	14 793	24 016
0,55	77,2	122	191	316	496	779	1243	1863	2725	3821	7619	15 403	25 005
0,60	80,2	126	199	328	516	810	1290	1934	2830	3967	7910	15 990	25 956
0,70	86,0	135	213	351	552	867	1381	2070	3028	4245	8463	17 104	27 763
0,80	91,4	144	226	373	586	920	1466	2198	3214	4506	8981	18 151	29 460
0,90	96,5	152	239	394	619	971	1547	2318	3390	4752	9472	19 141	31 066
1	101	160	251	413	650	1019	1624	2433	3558	4987	9939	20 083	32 594
1,1	106	168	264	434	682	1070	1704	2553	3734	5234	10 429	21 071	34 196
1,2	111	175	276	454	713	1118	1781	2668	3902	5469	10 897	22 016	35 727
1,3	116	183	287	473	742	1165	1855	2779	4063	5695	11 346	22 922	37 196
1,4	121	190	298	491	771	1209	1926	2885	4218	5912	11 779	23 794	38 610
1,6	129	203	319	526	825	1294	2061	3087	4513	6325	12 599	25 449	41 294
1,8	137	216	339	558	876	1374	2188	3277	4790	6712	13 370	27 004	43 815
2	145	228	358	589	924	1449	2307	3456	5052	7079	14 100	28 475	46 200
2,2	152	239	376	618	970	1521	2422	3627	5301	7428	14 793	29 874	48 468
2,4	159	250	393	646	1014	1590	2531	3790	5539	7761	15 456	31 212	50 636
2,6	166	260	409	673	1056	1656	2635	3946	5768	8081	16 093	32 494	52 716
2,8	172	270	425	699	1097	1719	2736	4097	5987	8389	16 705	33 729	54 717
3	178	280	440	724	1136	1780	2833	4242	6200	8686	17 295	34 920	56 648
3,5	193	303	476	783	1228	1925	3063	4586	6701	9388	18 691	37 736	61 212
4	207	324	510	838	1314	2059	3277	4906	7168	10 042	19 991	40 357	65 693
4,5	220	345	541	889	1395	2186	3478	5206	7607	10 656	21 212	42 819	69 678
5	232	364	571	938	1471	2305	3668	5490	8022	11 237	22 367	45 148	
5,5	243	382	599	985	1544	2419	3849	5761	8417	11 790	23 466	47 364	
6	254	399	626	1029	1614	2528	4021	6019	8794	12 318	24 516	49 481	

Capacity calculated at overpressure 0,1 bar or 10%



figure

630

ends
form

flanged
angle

CAPACITY TABLE FOR WATER

DNxDN PN100	25x40	32x50	40x65	50x80	65x100	80x125	100x150						
DNxDN PN16, PN40, PN63	20x32	25x40	32x50	40x65	50x80	65x100	80x125	100x150	125x200	150x250	200x300	300x400	400x500
A- bore area [mm ²]	16	20	25	32	40	50	63	77	93	110	155	220	280
Set pressure bar(g)	Water at 20°C (kg/h)												
6,5	7654	11 957	18 698	30 617	47 867	74 790	118 697	177 341	258 681	361 879	25 524	51 694	
7	7943	12 409	19 403	31 772	49 674	77 613	123 177	184 035	268 446	375 539	26 493	53 646	
8	8492	13 265	20 743	33 966	53 104	82 972	131 682	196 742	286 980	401 468	28 333		
9	9007	14 070	22 001	36 027	56 325	88 005	139 670	208 676	304 389	425 821	30 062		
10	9494	14 831	23 191	37 975	59 372	92 766	147 225	219 964	320 854	448 855	31 697		
11	9957	15 555	24 323	39 829	62 270	97 293	154 411	230 700	336 514	470 763			
12	10 400	16 247	25 405	41 600	65 039	101 620	161 277	240 959	351 478	491 696			
14	11 233	17 548	27 440	44 933	70 250	109 762	174 199	260 265	379 639	531 093			
16	12 009	18 760	29 335	48 035	75 100	117 340	186 227	278 235	405 851	567 762			
18	12 737	19 898	31 115	50 949	79 656	124 458	197 523	295 113	430 470				
20	13 426	20 974	32 798	53 705	83 965	131 190	208 208	311 076	453 756				
23	14 398	22 493	35 172	57 592	90 042	140 686	223 278	333 592	486 599				
25	15 011	23 450	36 669	60 044	93 875	146 675	232 784	347 794	507 314				
30	16 444	25 688	40 169	65 775	102 835	160 675	255 002	380 989					
32	16 983	26 531	41 486	67 932	106 208	165 944	263 365	393 484					
38	18 507	28 911	45 208	74 028	115 737	180 833	286 995						
40	18 988	29 662	46 383	75 951	118 744	185 531	294 451						
45	20 139	31 462	49 196	80 558	125 947	196 786	312 312						
50	21 229	33 163	51 858	84 915	132 760	207 430	329 206						
55	22 265	34 782	54 389	89 060	139 239	217 555	345 274						
62	23 639	36 929	57 746	94 558	147 835	230 985	366 588						
65	24 205	37 812	59 127	96 818	151 369	236 507							
70	25 118	39 240	61 359	100 473	157 083	245 435							
78	26 515	41 421	64 770	106 059	165 817	259 080							
86	27 841	43 494	68 011	111 366	174 113								
95	29 262	45 713	71 481	117 048	182 996								

Capacity calculated at overpressure 0,1 bar or 10%



figure

630

ends
formflanged
angle

ZETKAMA

CAPACITY TABLE FOR WATER FOR VALVES WITH MEMBRANE

DNxDN PN16, PN40*	20x32	25x40	32x50	40x65	50x80	65x100	85x125	100x150
Set pressure bar(g)	Water at 20°C (kg/h)							
0,45	3791	5922	9260	15 163	23 707	37 041	58 787	87 831
0,50	3959	6185	9672	15 838	24 761	38 688	61 401	91 737
0,55	4121	6438	10 067	16 484	25 772	40 268	63 908	95 483
0,60	4277	6681	10 447	17 107	26 745	41 788	66 320	99 087
0,65	4427	6915	10 814	17 707	27 684	43 255	68 648	102 565
0,70	4572	7142	11 168	18 288	28 592	44 673	70 899	105 928
0,75	4713	7362	11 512	18 851	29 472	46 048	73 081	109 188
0,80	4849	7576	11 846	19 397	30 326	47 383	75 200	112 354
0,85	4982	7783	12 170	19 929	31 157	48 682	77 261	115 433
0,90	5112	7985	12 487	20 446	31 967	49 946	79 268	118 432
0,95	5238	8182	12 795	20 951	32 756	51 180	81 226	112 356
1,00	5361	8375	13 096	21 444	33 527	52 384	83 137	124 212
1,10	5623	8784	13 735	22 491	35 163	54 941	87 195	130 275
1,20	5873	9174	14 346	23 491	36 727	57 384	91 072	136 067
1,30	6113	9549	14 932	24 450	38 226	59 727	94 791	141 624
1,40	6343	9909	15 495	25 373	39 670	61 982	98 369	146 970
1,50	6566	10 257	16 039	26 264	41 062	64 157	101 822	152 128
1,60	6781	10 594	16 565	27 125	42 408	66 261	105 161	157 117
1,70	6990	10 920	17 075	27 960	43 714	68 300	108 397	161 953
1,80	7193	11 236	17 570	28 771	44 981	70 281	111 540	166 648
1,90	7390	11 544	18 052	29 559	46 214	72 206	114 596	171 214
2,00	7582	11 844	18 521	30 327	47 414	74 082	117 573	175 662
2,20	7952	12 422	19 425	31 807	49 728	77 698	123 312	184 236
2,40	8305	12 975	20 288	33 221	51 940	81 153	128 795	192 428
2,60	8645	13 504	21 117	34 578	54 060	84 467	134 054	200 286
2,80	8971	14 014	21 914	35 883	56 101	87 655	139 115	207 847
3,00	9286	14 506	22 683	37 143	58 070	90 732	143 997	215 142
3,20	9590	14 982	23 427	38 361	59 975	93 707	148 720	222 197
3,40	9885	15 443	24 148	39 541	61 820	96 591	153 297	229 036
3,60	10 172	15 891	24 848	40 688	63 613	99 392	157 741	235 676
3,80	10 451	16 326	25 529	41 803	65 356	102 115	162 064	242 134

* PN40 only for body material F
Capacity calculated at overpressure 0,1 bar or 10%

Data given can be changed without notice.

Edition 06/2016

ZETKAMA Sp. z o.o.
ul. 3 Maja 12
PL 57-410 Ścinawka Średnia

tel. +48 74 8652 174
tel. +48 74 8652 111
fax +48 74 8652 199

e-mail marketing@zetkama.com.pl
www.zetkama.com

21/32



figure

630

ends
formflanged
angle**CAPACITY TABLE FOR WATER FOR VALVES WITH MEMBRANE**

DNxDN PN16, PN40*	20x32	25x40	32x50	40x65	50x80	65x100	85x125	100x150
Set pressure (bar g)	Water at 20°C (kg/h)							
4,00	10 722	16 750	26 192	42 889	67 054	104 768	166 274	248 424
4,50	11 373	17 766	27 781	45 490	71 121	111 123	176 360	263 494
5,00	11 988	18 727	29 284	47 951	74 968	117 134	185 900	277 747
5,50	12 573	19 641	30 713	50 292	78 627	122 851	194 974	291 303
6,00	13 132	20 515	32 079	52 528	82 124	128 314	203 643	304 256
6,50	13 668	21 352	33 388	54 673	85 477	133 554	211 959	316 680
7,00	14 184	22 158	34 649	56 737	88 704	138 595	219 960	328 634
7,50	14 682	22 936	35 865	58 728	91 817	143 460	227 680	340 169
8,00	15 163	23 688	37 041	60 654	94 828	148 164	235 147	351 325
8,50	15 630	24 417	38 181	62 521	97 747	152 724	242 384	362 137
9,00	16 083	25 125	39 288	64 333	100 581	157 152	249 411	372 636
10,00	16 953	26 484	41 413	67 813	106 022	165 654	262 903	392 795

* PN40 only for body material F
Capacity calculated at overpressure 0,1 bar or 10%



figure

630

ends
formflanged
angle

CAPACITY TABLE FOR SATURATED STEAM

DNxDN PN100	25x40	32x50	40x65	50x80	65x100	80x125	100x150						
DNxDN PN16, PN40, PN63	20x32	25x40	32x50	40x65	50x80	65x100	80x125	100x150	125x200	150x250	200x300	300x400	400x500
A- bore area [mm ²]	16	20	25	32	40	50	63	77	93	110	155	220	280
Set pressure (bar g)	Saturated steam (kg/h)												
0,45	115	180	282	461	721	1127	1788	2672	3897	5452	10 525	16 355	26 494
0,5	120	187	293	479	749	1171	1858	2777	4050	5666	10 938	16 997	27 534
0,55	124	194	304	497	777	1214	1927	2879	4199	5875	11 342	17 624	28 550
0,6	129	201	314	514	804	1257	1994	2980	4347	6081	11 739	18 241	29 550
0,7	137	215	336	550	859	1343	2131	3184	4644	6497	12 543	19 491	31 574
0,8	147	230	359	588	919	1436	2280	3406	4968	6950	13 417	20 849	33 775
0,9	158	246	385	630	985	1540	2444	3651	5326	7450	14 383	22 350	36 206
1,0	164	256	401	656	1026	1603	2545	3802	5546	7758	14 977	23 273	37 702
1,1	171	268	419	686	1072	1675	2659	3972	5794	8106	15 649	24 317	39 392
1,2	179	280	437	716	1120	1749	2776	4148	6051	8465	16 341	25 393	41 135
1,3	187	292	457	748	1169	1826	2898	4330	6316	8836	17 058	26 506	42 940
1,4	195	305	476	780	1220	1906	3025	4519	6592	9221	17 802	27 663	44 813
1,6	230	360	562	921	1439	2249	3569	5332	7778	10 881	20 497	39 056	63 270
1,8	251	392	613	1004	1569	2452	3891	5813	8480	11 863	22 347	42 581	68 981
2,0	268	418	654	1071	1674	2615	4150	6201	9045	12 654	23 838	45 421	73 581
2,2	285	445	695	1138	1780	2781	4413	6594	9618	13 456	25 349	48 300	78 244
2,4	303	473	739	1210	1892	2956	4691	7009	10 224	14 303	26 944	51 340	83 170
2,6	322	502	786	1286	2011	3142	4987	7451	10 868	15 204	28 642	54 576	88 411
2,8	340	532	831	1361	2128	3326	5278	7885	11 502	16 091	30 313	57 759	93 568
3	357	558	872	1428	2233	3489	5537	8273	12 067	16 881	31 802	60 596	98 164
3,5	402	628	982	1609	2515	3929	6236	9317	13 591	19 012	35 817	68 246	110 557
4	446	697	1090	1784	2790	4359	6918	10 336	15 077	21 092	39 734	75 710	122 647
4,5	492	768	1201	1967	3075	4805	7626	11 393	16 619	23 249	43 798	83 454	135 193
5	535	835	1306	2139	3344	5225	8292	12 389	18 072	25 282	47 627	90 750	
5,5	580	906	1417	2320	3627	5667	8993	13 437	19 600	27 419	51 653	98 421	
6,0	623	973	1521	2491	3895	6086	9658	14 430	21 049	29 446	55 473	105 699	

Capacity calculated at overpressure 0,1 bar or 10%



figure

630

ends
form

flanged
angle

CAPACITY TABLE FOR SATURATED STEAM

DNxDN PN100	25x40	32x50	40x65	50x80	65x100	80x125	100x150						
DNxDN PN16, PN40, PN63	20x32	25x40	32x50	40x65	50x80	65x100	80x125	100x150	125x200	150x250	200x300	300x400	400x500
A- bore area [mm ²]	16	20	25	32	40	50	63	77	93	110	155	220	280
Set pressure (bar g)	Saturated steam (kg/h)												
6,5	667	1042	1630	2669	4173	6520	10 348	15 461	22 553	31 550	59 436	113 250	
7	711	1110	1736	2843	4445	6945	11 021	16 467	24 019	33 602	63 301	120 615	
8	798	1247	1950	3193	4993	7801	12 381	18 498	26 982	37 746	71 108		
9	886	1384	2165	3545	5542	8659	13 742	20 531	29 948	41 896	78 926		
10	974	1521	2378	3894	6089	9513	15 098	22 558	32 904	46 031	86 716		
11	1060	1657	2590	4242	6631	10 361	16 444	24 568	35 837	50 134			
12	1147	1792	2802	4588	7173	11 208	17 787	26 575	38 764	54 229			
14	1321	2063	3227	5283	8260	12 906	20 483	30 603	44 639	62 447			
16	1494	2334	3650	5976	9344	14 599	23 169	34 616	50 494	70 638			
18	1668	2605	4074	6671	10 429	16 295	25 861	38 638	56 360				
20	1842	2877	4499	7366	11 517	17 995	28 559	42 669	62 239				
23	2101	3282	5132	8403	13 138	20 527	32 578	48 673	70 998				
25	2275	3553	5556	9098	14 224	22 225	35 272	52 699	76 871				
30	2711	4235	6622	10 843	16 953	26 488	42 038	62 808					
32	2884	4506	7046	11 538	18 038	28 184	44 730	66 830					
38	3407	5322	8322	13 627	21 305	33 288	52 830						
40	3583	5597	8752	14 331	22 406	35 008	55 560						
45	4026	6289	9834	16 102	25 175	39 334	62 426						
50	4462	6971	10 900	17 848	27 905	43 600	69 196						
55	4913	7675	12 001	19 651	30 723	48 003	76 184						
62	5532	8643	13 515	22 130	34 598	54 058	85 794						
65	5795	9053	14 156	23 181	36 242	56 626							
70	6247	9758	15 259	24 986	39 064	61 036							
78	6971	10 891	17 029	27 885	43 597	68 118							
86	7698	12 026	18 806	30 794	48 144								
95	8540	13 341	20 862	34 161	53 408								

Capacity calculated at overpressure 0,1 bar or 10%



figure	630
ends form	flanged angle

TYPES

figure	body material	nominal diameter DN	nominal pressure PN	type	CE
630	A nodular cast iron EN-GJL-250	20-150 mm	C 16bar	01-1 • normal type for gases and vapours • sealing metal/metal Tmax 300 °C	0045
				02-1 • gas tight type for gases and vapours • sealing metal/metal Tmax 300 °C	0045
				03-1 • type with reduced lift for liquids • sealing metal/metal Tmax 300 °C	1433
				04-1 • type with reduced lift, gas-tight • sealing metal/metal Tmax 300 °C	1433
				05-1 • marine type for gases and vapours • sealing metal/metal Tmax 300 °C	0045
				06-1 • marine type with reduced lift • sealing metal/metal Tmax 300 °C	1433
				07-1 • marine type, gas-tight sealing metal/metal Tmax 300 °C	0045
				08-1 • marine type with reduced lift, gas-tight • sealing metal/metal Tmax 300 °C	1433
		20-100 mm	C 16bar	01-2 • normal type for gases and vapours • sealing disc NBR Tmax 90 °C	0045
				02-2 • gas tight type for gases and vapours • sealing disc NBR Tmax 90 °C	0045
				03-2 • type with reduced lift for liquids • sealing disc NBR Tmax 90 °C	1433
				04-2 • type with reduced lift, gas-tight • sealing disc NBR Tmax 90 °C	1433
				05-2 • marine type for gases and vapours • sealing disc NBR Tmax 90 °C	0045
				06-2 • marine type with reduced lift • sealing disc NBR Tmax 90 °C	1433
				07-2 • marine type, gas-tight • sealing disc NBR Tmax 90 °C	0045
				08-2 • marine type with reduced lift, gas-tight • sealing disc NBR Tmax 90 °C	1433

Data given can be changed without notice.

Edition 06/2016



figure	630
ends form	flanged angle

TYPES

figure	body material	nominal diameter DN	nominal pressure PN	type	CE
630	A nodular cast iron EN-GJL-250	20-100 mm	C 16bar	01-3 Tmax 120 °C • normal type for gases and vapours • sealing disc EPDM	0045
				02-3 Tmax 120 °C • gas tight type for gases and vapours • sealing disc EPDM	0045
				03-3 Tmax 120 °C • type with reduced lift for liquids • sealing disc EPDM	1433
				04-3 Tmax 120 °C • type with reduced lift, gas-tight • sealing disc EPDM	1433
				05-3 Tmax 120 °C • marine type for gases and vapours • sealing disc EPDM	0045
				06-3 Tmax 120 °C • marine type with reduced lift • sealing disc EPDM	1433
				07-3 Tmax 120 °C • marine type, gas-tight • sealing disc EPDM	0045
				08-3 Tmax 120 °C • marine type with reduced lift, gas-tight • sealing disc EPDM	1433
				01-4 Tmax 120 °C • normal type for gases, vapours and liquids • membrane with sealing disc EPDM	0045
				07-4 Tmax 120 °C • type with reduced lift, gas-tight • membrane with sealing disc EPDM	0045



figure	630
ends form	flanged angle

TYPES

figure	body material	nominal diameter DN	nominal pressure PN	type	CE																																																												
630	C nodular cast iron EN-GJS-400-18-LT	20-100 mm	E 40bar	<table border="1"> <tr> <td>01-1</td> <td>Tmax 300 °C</td> <td>• normal type for gases and vapours</td> <td>• sealing metal/metal</td> <td>0045</td> </tr> <tr> <td>02-1</td> <td>Tmax 300 °C</td> <td>• gas tight type for gases and vapours</td> <td>• sealing metal/metal</td> <td>0045</td> </tr> <tr> <td>03-1</td> <td>Tmax 300 °C</td> <td>• type with reduced lift for liquids</td> <td>• sealing metal/metal</td> <td>1433</td> </tr> <tr> <td>04-1</td> <td>Tmax 300 °C</td> <td>• type with reduced lift, gas-tight</td> <td>• sealing metal/metal</td> <td>1433</td> </tr> <tr> <td>01-2</td> <td>Tmax 90 °C</td> <td>• normal type for gases and vapours</td> <td>• sealing disc NBR</td> <td>0045</td> </tr> <tr> <td>02-2</td> <td>Tmax 90 °C</td> <td>• gas tight type for gases and vapours</td> <td>• sealing disc NBR</td> <td>0045</td> </tr> <tr> <td>03-2</td> <td>Tmax 90 °C</td> <td>• type with reduced lift for liquids</td> <td>• sealing disc NBR</td> <td>1433</td> </tr> <tr> <td>04-2</td> <td>Tmax 90 °C</td> <td>• type with reduced lift, gas-tight</td> <td>• sealing disc NBR</td> <td>1433</td> </tr> <tr> <td>01-3</td> <td>Tmax 120 °C</td> <td>• normal type for gases and vapours</td> <td>• sealing disc EPDM</td> <td>0045</td> </tr> <tr> <td>02-3</td> <td>Tmax 120 °C</td> <td>• gas tight type for gases and vapours</td> <td>• sealing disc EPDM</td> <td>0045</td> </tr> <tr> <td>03-3</td> <td>Tmax 120 °C</td> <td>• type with reduced lift for liquids</td> <td>• sealing disc EPDM</td> <td>1433</td> </tr> <tr> <td>04-3</td> <td>Tmax 120 °C</td> <td>• type with reduced lift, gas-tight</td> <td>• sealing disc EPDM</td> <td>1433</td> </tr> </table>	01-1	Tmax 300 °C	• normal type for gases and vapours	• sealing metal/metal	0045	02-1	Tmax 300 °C	• gas tight type for gases and vapours	• sealing metal/metal	0045	03-1	Tmax 300 °C	• type with reduced lift for liquids	• sealing metal/metal	1433	04-1	Tmax 300 °C	• type with reduced lift, gas-tight	• sealing metal/metal	1433	01-2	Tmax 90 °C	• normal type for gases and vapours	• sealing disc NBR	0045	02-2	Tmax 90 °C	• gas tight type for gases and vapours	• sealing disc NBR	0045	03-2	Tmax 90 °C	• type with reduced lift for liquids	• sealing disc NBR	1433	04-2	Tmax 90 °C	• type with reduced lift, gas-tight	• sealing disc NBR	1433	01-3	Tmax 120 °C	• normal type for gases and vapours	• sealing disc EPDM	0045	02-3	Tmax 120 °C	• gas tight type for gases and vapours	• sealing disc EPDM	0045	03-3	Tmax 120 °C	• type with reduced lift for liquids	• sealing disc EPDM	1433	04-3	Tmax 120 °C	• type with reduced lift, gas-tight	• sealing disc EPDM	1433	
01-1	Tmax 300 °C	• normal type for gases and vapours	• sealing metal/metal	0045																																																													
02-1	Tmax 300 °C	• gas tight type for gases and vapours	• sealing metal/metal	0045																																																													
03-1	Tmax 300 °C	• type with reduced lift for liquids	• sealing metal/metal	1433																																																													
04-1	Tmax 300 °C	• type with reduced lift, gas-tight	• sealing metal/metal	1433																																																													
01-2	Tmax 90 °C	• normal type for gases and vapours	• sealing disc NBR	0045																																																													
02-2	Tmax 90 °C	• gas tight type for gases and vapours	• sealing disc NBR	0045																																																													
03-2	Tmax 90 °C	• type with reduced lift for liquids	• sealing disc NBR	1433																																																													
04-2	Tmax 90 °C	• type with reduced lift, gas-tight	• sealing disc NBR	1433																																																													
01-3	Tmax 120 °C	• normal type for gases and vapours	• sealing disc EPDM	0045																																																													
02-3	Tmax 120 °C	• gas tight type for gases and vapours	• sealing disc EPDM	0045																																																													
03-3	Tmax 120 °C	• type with reduced lift for liquids	• sealing disc EPDM	1433																																																													
04-3	Tmax 120 °C	• type with reduced lift, gas-tight	• sealing disc EPDM	1433																																																													



figure	630
ends form	flanged angle

TYPES

figure	body material	nominal diameter DN	nominal pressure PN	type	CE
630	F cast steel GP240GH	20-150 mm	E 40bar	01-1 Tmax 400 °C • normal type for gases and vapours • sealing metal/metal	0045
				02-1 Tmax 400 °C • gas tight type for gases and vapours • sealing metal/metal	0045
				03-1 Tmax 400 °C • type with reduced lift for liquids • sealing metal/metal	1433
				04-1 Tmax 400 °C • type with reduced lift, gas-tight • sealing metal/metal	1433
				05-1 Tmax 400 °C • marine type for gases and vapours • sealing metal/metal	0045
				06-1 Tmax 300 °C • marine type with reduced lift • sealing metal/metal	1433
				07-1 Tmax 400 °C • marine type, gas-tight • sealing metal/metal	0045
				08-1 Tmax 400 °C • marine type with reduced lift, gas-tight • sealing metal/metal	1433
		20-100 mm	E 40bar	01-2 Tmax 90 °C • normal type for gases and vapours • sealing disc NBR	0045
				02-2 Tmax 90 °C • gas tight type for gases and vapours • sealing disc NBR	0045
				03-2 Tmax 90 °C • type with reduced lift for liquids • sealing disc NBR	1433
				04-2 Tmax 90 °C • type with reduced lift, gas-tight • sealing disc NBR	1433
				05-2 Tmax 90 °C • marine type for gases and vapours • sealing disc NBR	0045
				06-2 Tmax 90 °C • marine type with reduced lift • sealing disc NBR	1433
				07-2 Tmax 90 °C • marine type, gas-tight • sealing disc NBR	0045
				08-2 Tmax 90 °C • marine type with reduced lift, gas-tight • sealing disc NBR	1433

Data given can be changed without notice.

Edition 06/2016



figure	630
ends form	flanged angle

TYPES

figure	body material	nominal diameter DN	nominal pressure PN	type	CE
630	F cast steel GP240GH	20-100 mm	E 40bar	01-3 Tmax 120 °C • normal type for gases and vapours • sealing disc EPDM	0045
				02-3 Tmax 120 °C • gas tight type for gases and vapours • sealing disc EPDM	0045
				03-3 Tmax 120 °C • type with reduced lift for liquids • sealing disc EPDM	0045
				04-3 Tmax 120 °C • type with reduced lift, gas-tight • sealing disc EPDM	0045
				05-3 Tmax 120 °C • marine type for gases and vapours • sealing disc EPDM	0045
				06-3 Tmax 120 °C • marine type with reduced lift • sealing disc EPDM	0045
				07-3 Tmax 120 °C • marine type, gas-tight • sealing disc EPDM	0045
				08-3 Tmax 120 °C • marine type with reduced lift, gas-tight • sealing disc EPDM	0045
				01-4 Tmax 120 °C • normal type for gases, vapours and liquids • membrane with sealing disc EPDM	0045
				07-4 Tmax 120 °C • type with reduced lift, gas-tight • membrane with sealing disc EPDM	0045



figure	630
ends form	flanged angle

TYPES

figure	body material	nominal diameter DN	nominal pressure PN	type	CE
630	F cast steel GP240GH	20-400 mm	F 63bar	01-1 • normal type for gases and vapours • sealing metal/metal Tmax 400 °C	0045
				02-1 • gas tight type for gases and vapours • sealing metal/metal Tmax 400 °C	0045
				03-1 • type with reduced lift for liquids • sealing metal/metal Tmax 400 °C	1433
				04-1 • type with reduced lift, gas-tight • sealing metal/metal Tmax 400 °C	1433
		20-100 mm	F 63bar	01-2 • normal type for gases and vapours • sealing disc NBR Tmax 90 °C	1433
				02-2 • gas tight type for gases and vapours • sealing disc NBR Tmax 90 °C	1433
				03-2 • type with reduced lift for liquids • sealing disc NBR Tmax 90 °C	1433
				04-2 • type with reduced lift, gas-tight • sealing disc NBR Tmax 90 °C	1433
	01-3 • normal type for gases and vapours • sealing disc EPDM Tmax 120 °C			1433	
	02-3 • gas tight type for gases and vapours • sealing disc EPDM Tmax 120 °C			1433	
	03-3 • type with reduced lift for liquids • sealing disc EPDM Tmax 120 °C	1433			
	04-3 • type with reduced lift, gas-tight • sealing disc EPDM Tmax 120 °C	1433			



figure	630
ends form	flanged angle

TYPES

figure	body material	nominal diameter DN	nominal pressure PN	type	CE
630	F cast steel GP240GH	20-400 mm	G 100bar	01-1 Tmax 400 °C • normal type for gases and vapours • sealing metal/metal	1433
				02-1 Tmax 400 °C • gas tight type for gases and vapours • sealing metal/metal	1433
				03-1 Tmax 400 °C • type with reduced lift for liquids • sealing metal/metal	1433
				04-1 Tmax 400 °C • type with reduced lift, gas-tight • sealing metal/metal	1433
	R acid resistant steel	20-100 mm	E 40bar	02-1 Tmax 300 °C • normal type for gases and vapours • sealing metal/metal	0045
				04-1 Tmax 300 °C • type with reduced lift, gas-tight • sealing metal/metal	1433
				07-1 Tmax 300 °C • marine type, gas-tight • sealing metal/metal	0045
				08-1 Tmax 300 °C • type with reduced lift, gas-tight • sealing metal/metal	1433



figure	630
ends form	flanged angle

ORDERING

To place an order please use our product number (index)



ORDER EXAMPLE

