

EAN: 6414150079726

[www.oras.com/en/products/oras/product/6151F](http://www.oras.com/en/products/oras/product/6151F)



Touchless washbasin faucet with a temperature adjustment handle. Battery-operated 6 V. The faucet is equipped with litter filters, non-return valves and flexible pipes. No adjustments need to be made at installation because an advanced Autofocus sensor is used. The impulse-controlled solenoid valve gives the battery a long operating life. Flow controller (6 l/min.) enables low water consumption (0.5 l / instance of use).

- Public & Semi-public, Health & Care
- Battery-operated, Touchless
- Deck mounted
- Chrome
- Fixed spout
- PCA® for a constant flow rate regardless of pressure fluctuations
- Temperature control handle
- Litter filter(s), Non-return valve(s)
- Autofocus sensor, Impulse-controlled solenoid valve

## Technical data

### Flow properties

Flow-rate at 300 kPa (with flow controller)	<b>0.1 l/s</b>
Pressure loss with flow (0.1 l/s)	<b>200 kPa</b>

### Technical properties

Hot water supply	<b>max. +70°C</b>
Working pressure	<b>100 - 1000 kPa</b>
Connection size	<b>G3/8</b>
Projection	<b>110 mm</b>
Material	<b>brass</b>

### Software settings

Afterflow period	<b>2 s ± 1 s</b>
Max. flow period	<b>2 min</b>

### Electronic properties

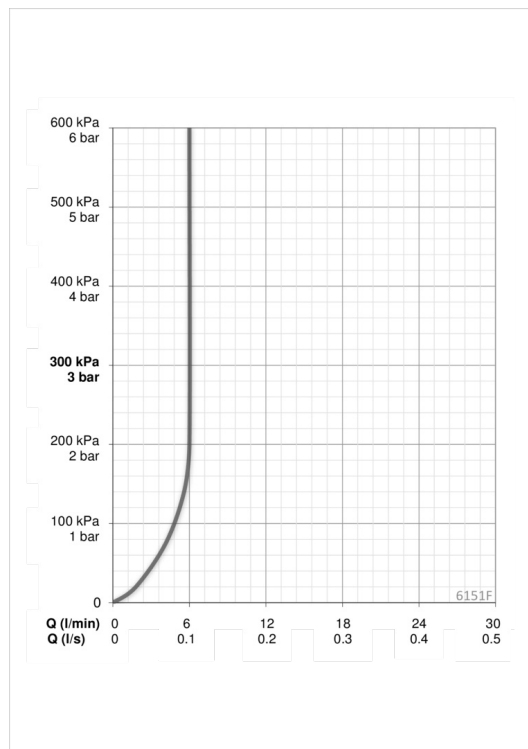
Battery	<b>Lithium 2CR5 6 V</b>
---------	-------------------------

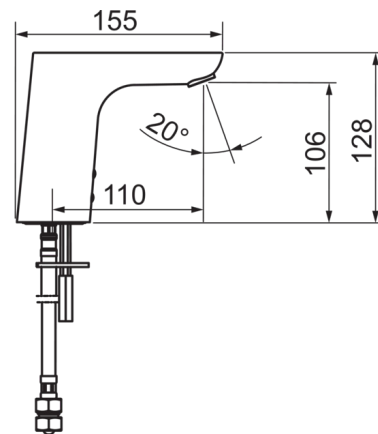
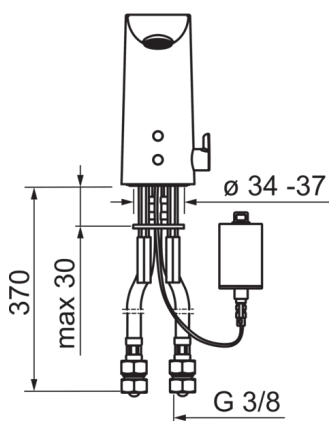
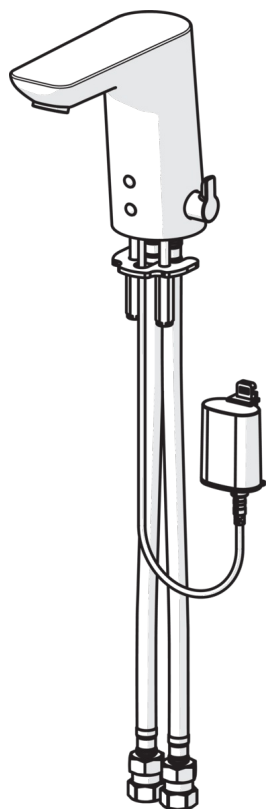
### Regulations

EMC Directive	<b>CE 2014/30/EU</b>
EN standard	<b>EN 15091</b>
Noise class	<b>I (ISO 3822)</b>
Protection class	<b>IP 55</b>

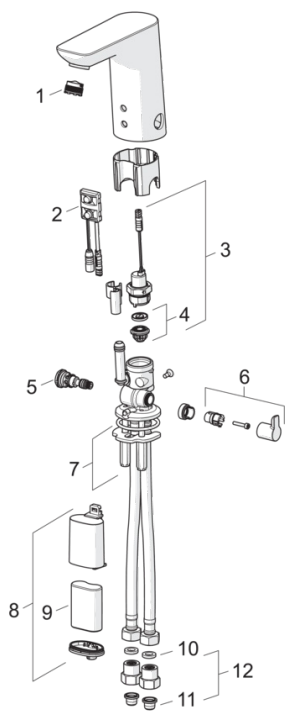
### Type approvals

STF certificate	<b>STF VTT-RTH-00031-11</b>
ETA-Danmark	<b>VA 1.42/20792</b>





## Spare parts



## SP6151F

	Code
01	601901V
02	1001424V
02	600659V
03	199206V
04	199205V
05	199201V
06	600493V
07	158697
08	199417V
09	198330
10	600705/10
11	199257/2
12	198473/2