

EAN: 6414150080968

www.oras.com/en/products/oras/product/6125F



Touchless washbasin faucet with a temperature adjustment handle. The faucet is equipped with litter filters, non-return valves and flexible pipes. No adjustments are needed at installation because an advanced Autofocus sensor is used. Flow controller (6 l/min) enables low water consumption (0.5 l / instance of use).

Electrical connection 12 V via a separate power supply (e.g. Oras No. 199275).

- Public & Semi-public
- Touchless, External transformer
- Deck mounted
- Chrome
- Temperature control handle
- Litter filter(s), Non-return valve(s)
- Autofocus sensor

Technical data

Flow properties

Flow-rate at 300 kPa (with flow controller)	0.1 l/s
Pressure loss with flow (0.1 l/s)	200 kPa

Technical properties

Hot water supply	max. +70°C
Working pressure	100 - 1000 kPa
Connection size	G3/8
Projection	126 mm

Software settings

Afterflow period	2 s ± 1 s
Max. flow period	2 min

Electronic properties

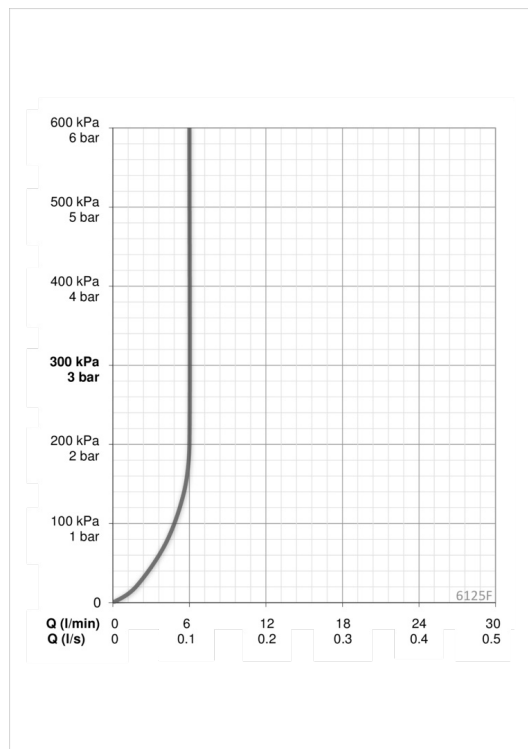
Electrical Connection	12 VDC
-----------------------	---------------

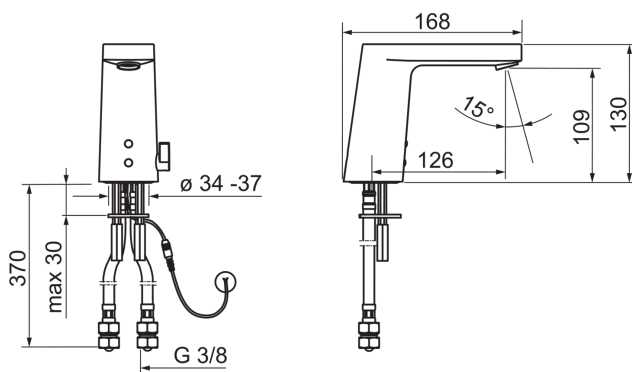
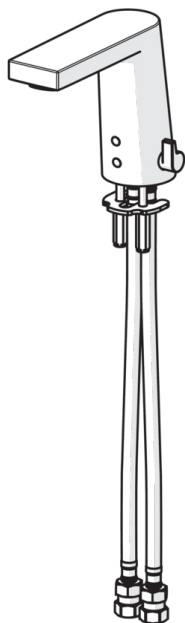
Regulations

EMC Directive	CE 2014/30/EU
EN standard	EN 15091
Noise class	I(ISO 3822)
Protection class	IP 55 / transformer IP 40

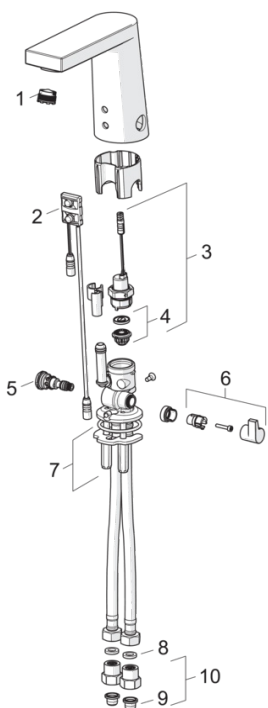
Type approvals

STF certificate	STF VTT-RTH-00031-11
ETA-Danmark	VA 1.42/20792





Spare parts



SP6125F

	Code
01	601901V
02	600082V
03	199206V
04	199205V
05	199201V
06	601877V
07	158697
08	600705/10
09	199257/2
10	198473/2