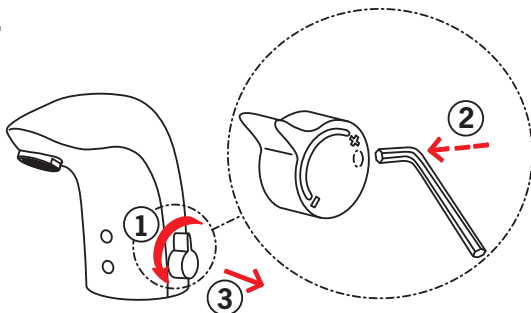


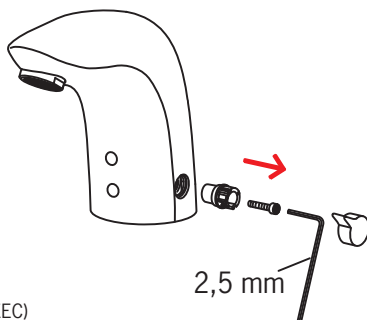
199212V



1.



2.



CE (EMC 89/336/EEC)



ORAS GROUP

Isometsäntie 2
P.O. Box 40
FI-26101 Rauma
Finland
Tel. +358 2 83 161
Fax +358 2 831 6300
Info.Finland@oras.com



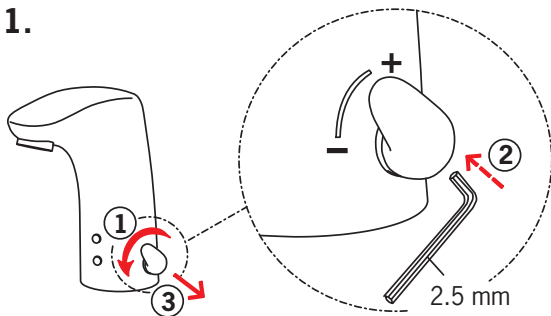
945994/02/11

www.oras.com

600581V



1.



2.

