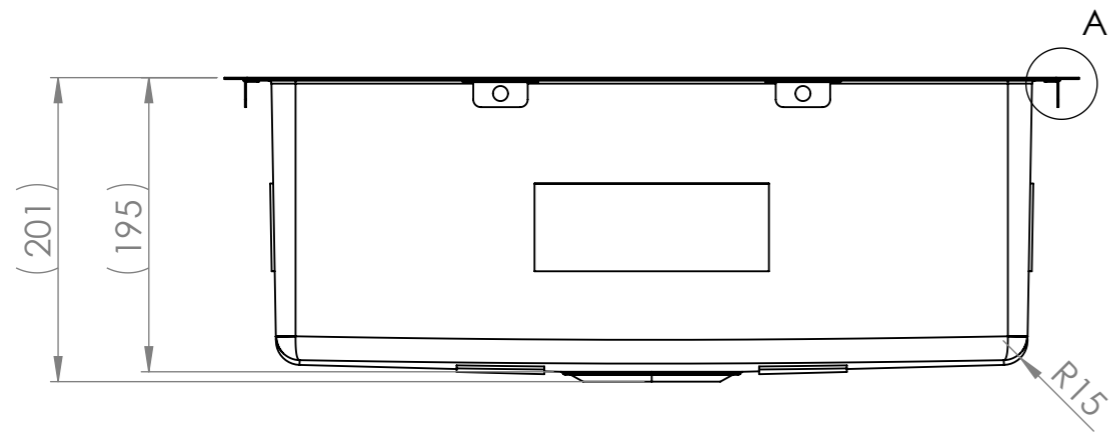
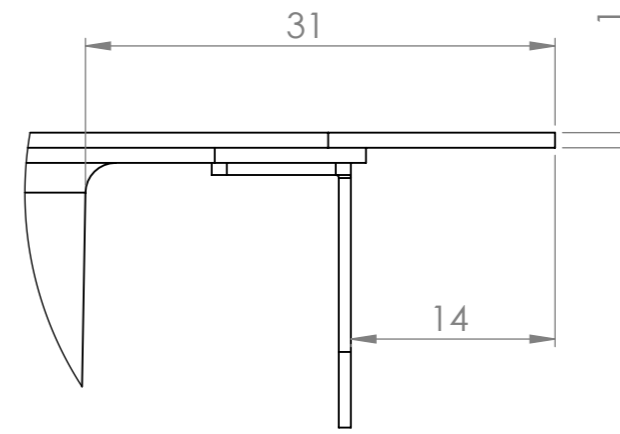


Change description					Date		Designed by
--------------------	--	--	--	--	------	--	-------------

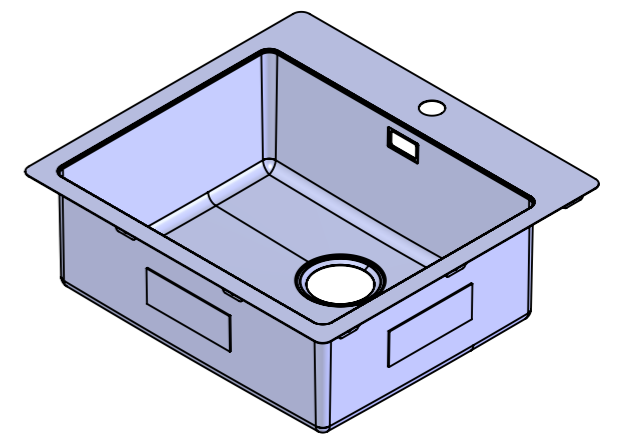
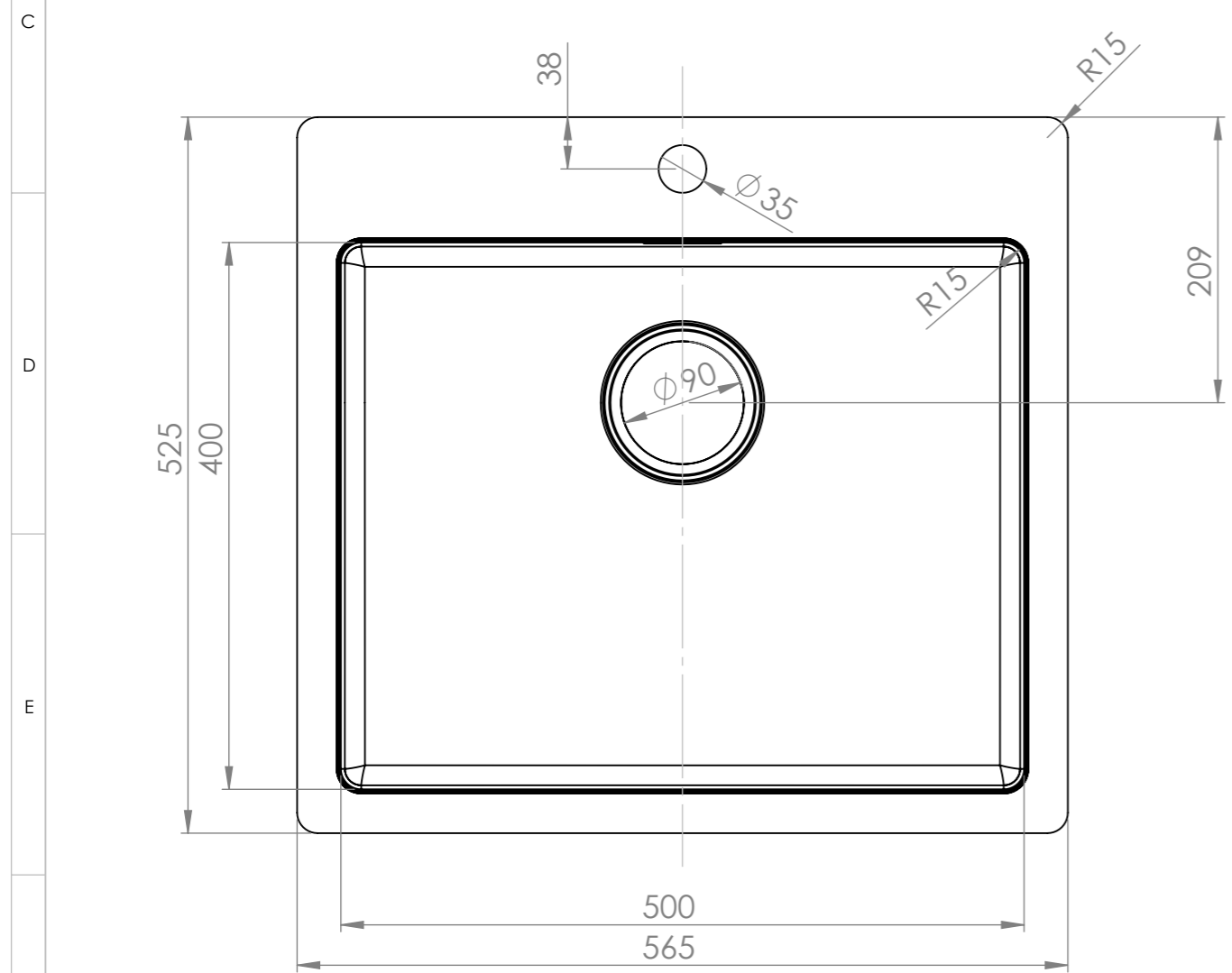
MAIN DIMENSIONS



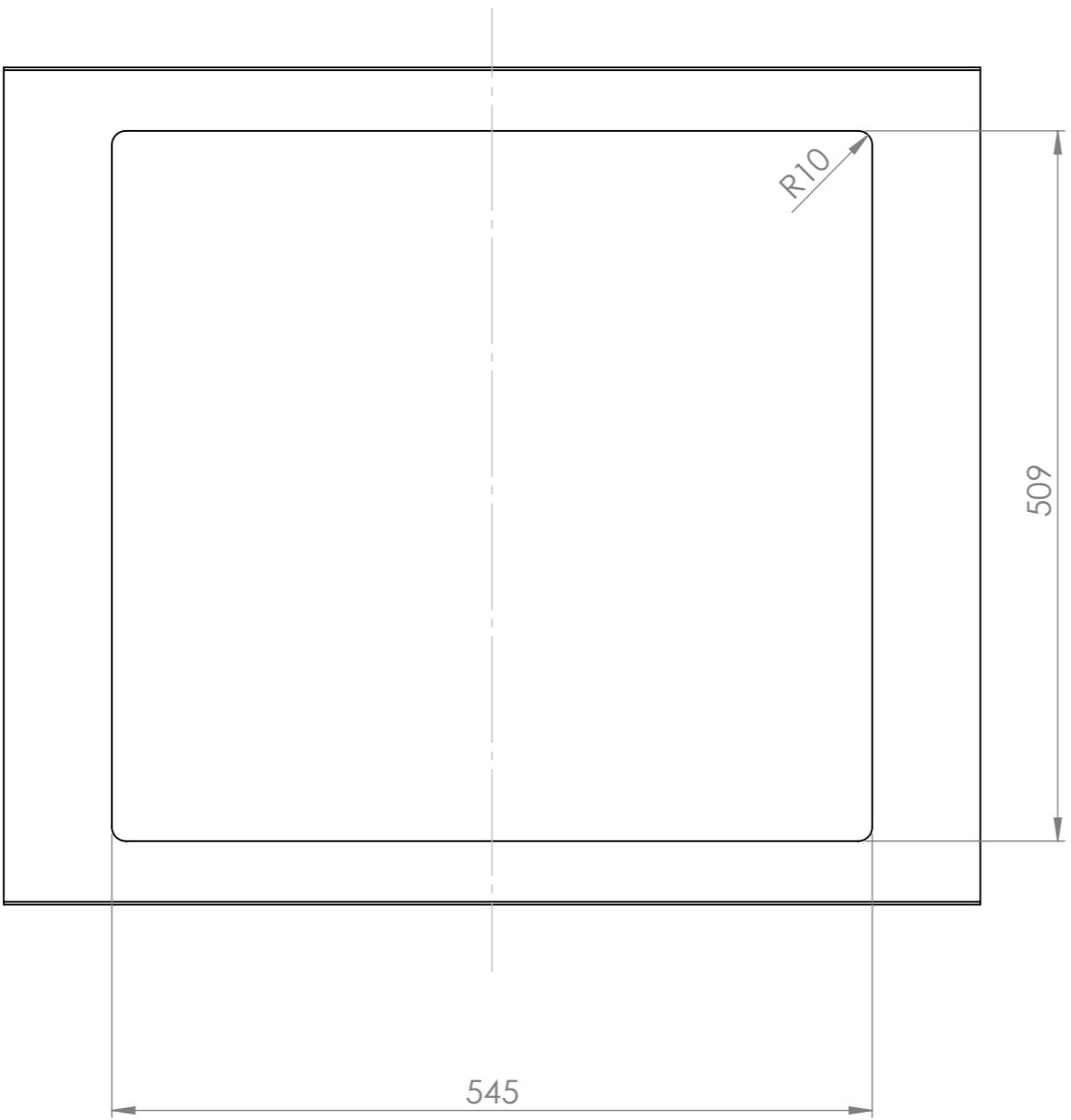
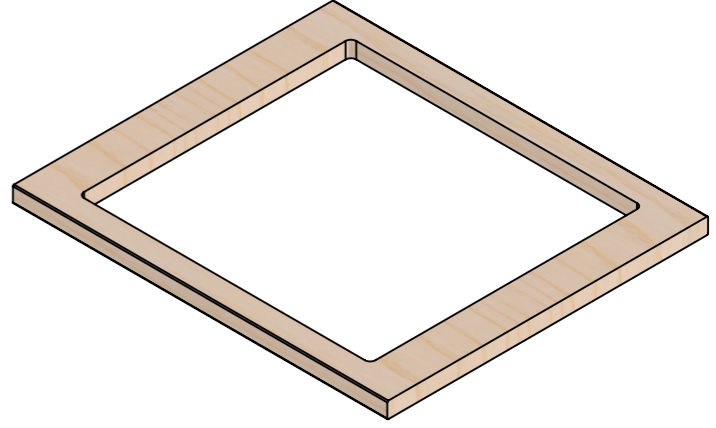

MONO EDGE



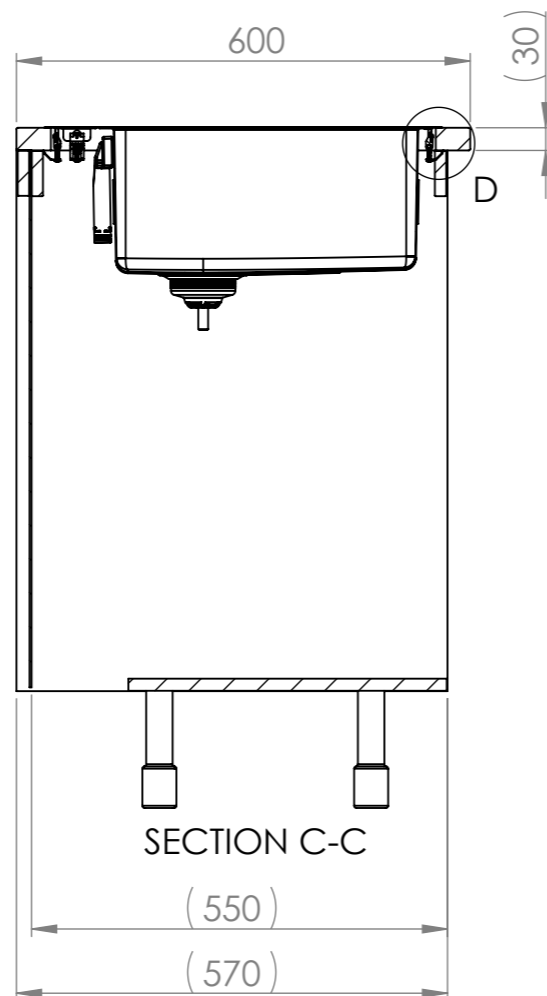
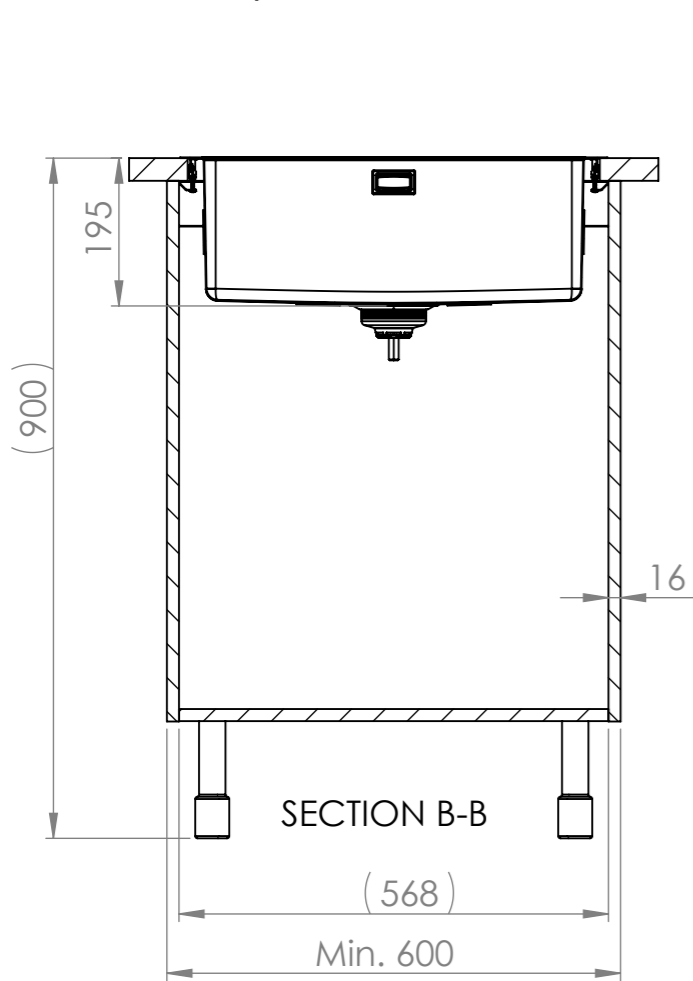
DETAIL A
SCALE 2:1



	Mass	kg	General tolerance	Designed by	VS	Date	04.09.2025		
	Size	A3		Scale	1:5	Item	Approved by	SV	Date
			MONARCH-T50		Description		Drawing number	Sheet/sheets	
Member of ALVEUS			Technical Data Sheet		20005		1/3	Rev	A

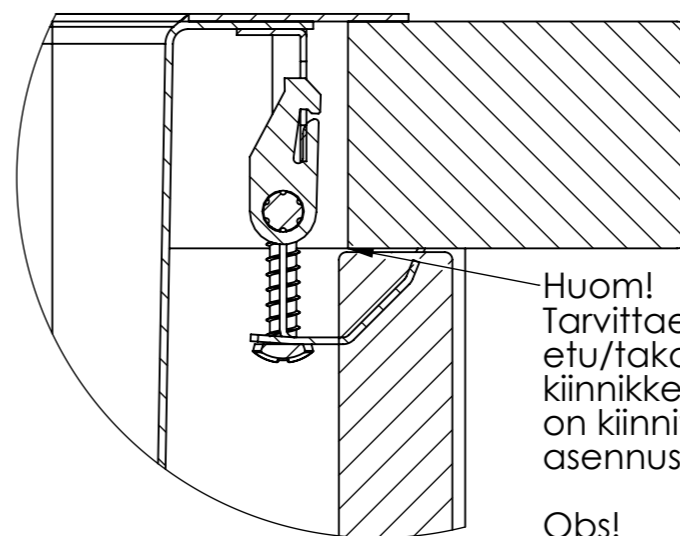
1	2	3	4	5	6	7	8	
CUT-OUT				Change description			Date	Designed by
A								
B							C	D
								
				Mass	General tolerance	Designed by	Date	
				Size	Scale	Item	Approved by	Date
	A3	1:5	MONARCH-T50 Technical Data Sheet	Drawing number	Sheet/sheets			
	Member of ALVEUS			20005	2/3 Rev A			
1	2	3	4	5	6	7	8	

SPACE REQUIREMENTS



Change description	Date	Designed by
--------------------	------	-------------

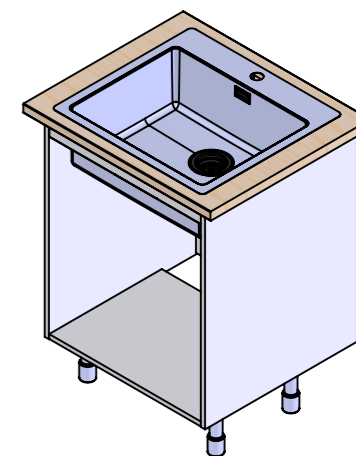
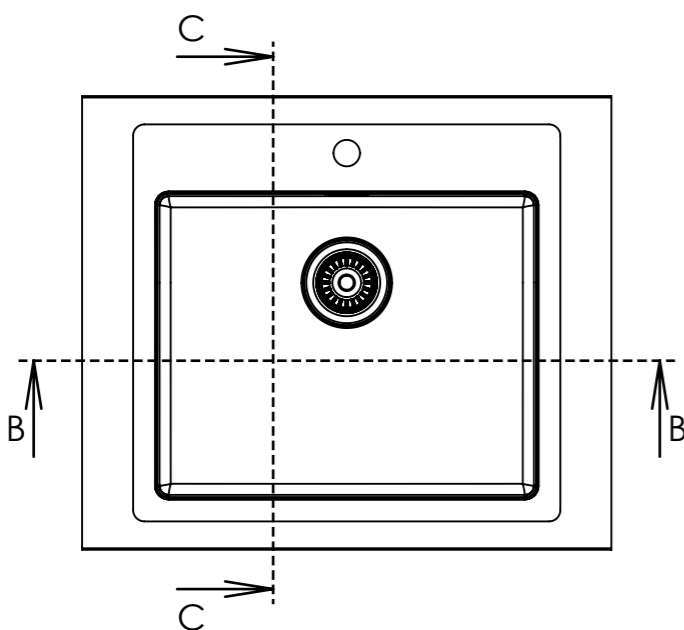
DETAIL D
SCALE 1 : 1




Huom!
Tarvittaessa kaapin väliseinää ja etu/takalistaa lovetettava kiinnikkeitä varten ja pesuallas on kiinnitettävä ennen työtason asennusta.

Obs!
Vid behov måste en inskärning för hofästena göras i skåpets mellanvägg och förbindningslist och diskbänken måste fästas innan du monterar bänkskivan.

Notice!
The partition walls and front/back list of the cupboard must be notched for the sink mountings when needed and the sink must be fastened before installing



 Member of ALVEUS	Mass	kg	General tolerance	Designed by	Date
	Size	Scale	Item	VS	04.09.2025
STALA Member of ALVEUS MONARCH-T50 Technical Data Sheet	A3	1:10	Description	Approved by	Date
			MONARCH-T50	SV	12.09.2025
			20005	Drawing number	Sheet/sheets
				Rev	A