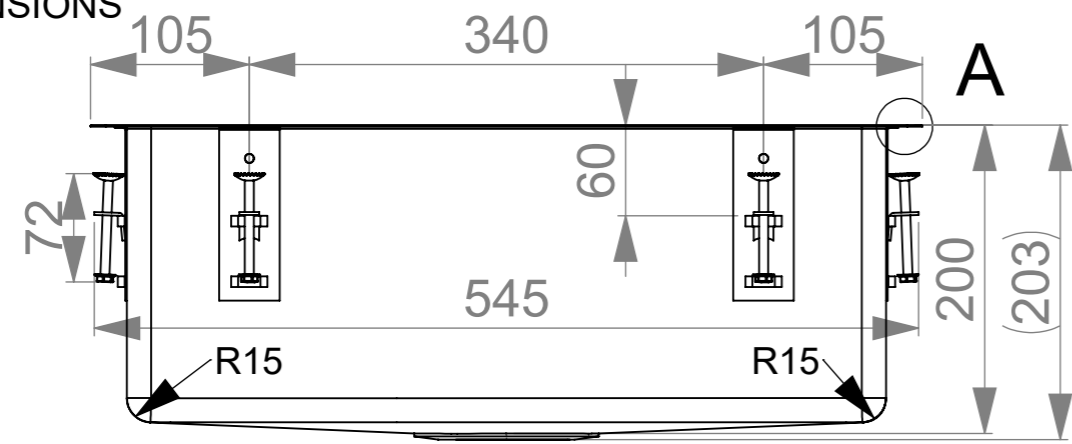


MAIN DIMENSIONS



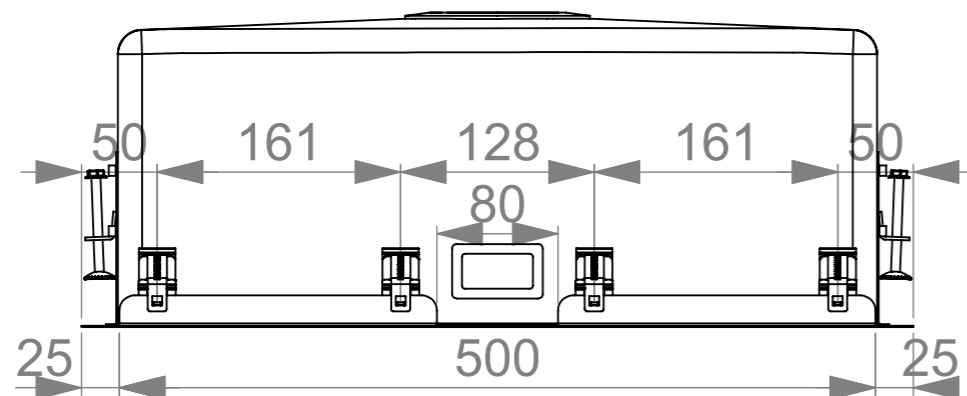
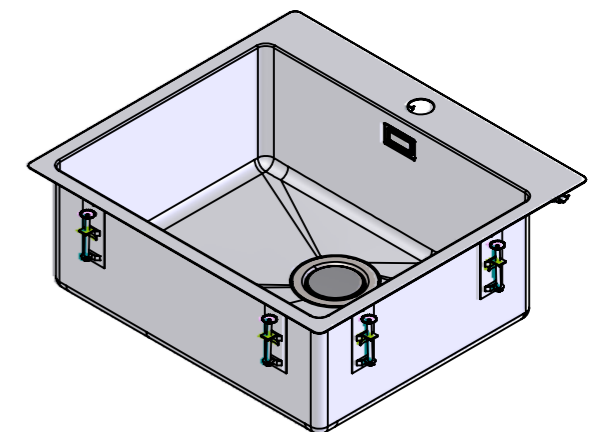
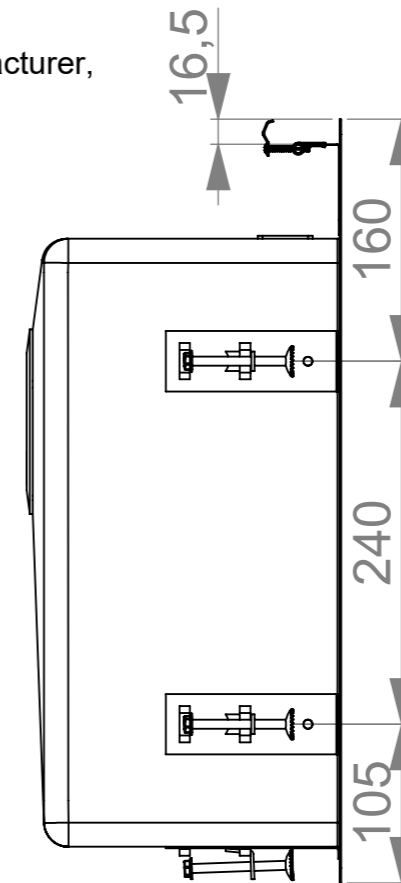
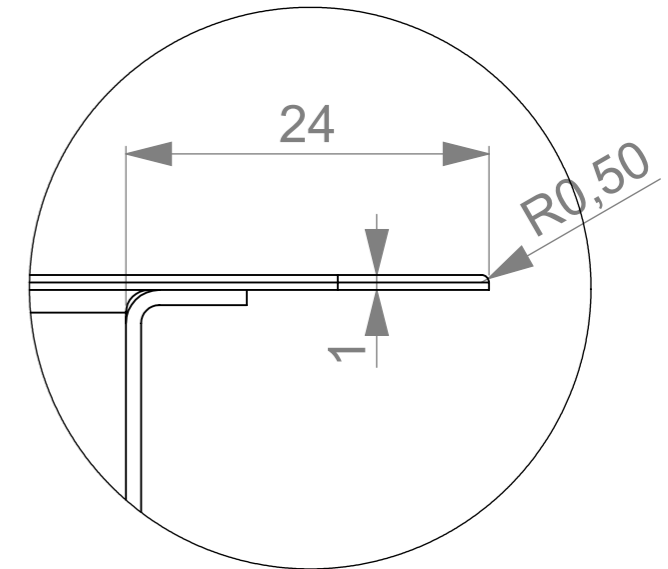
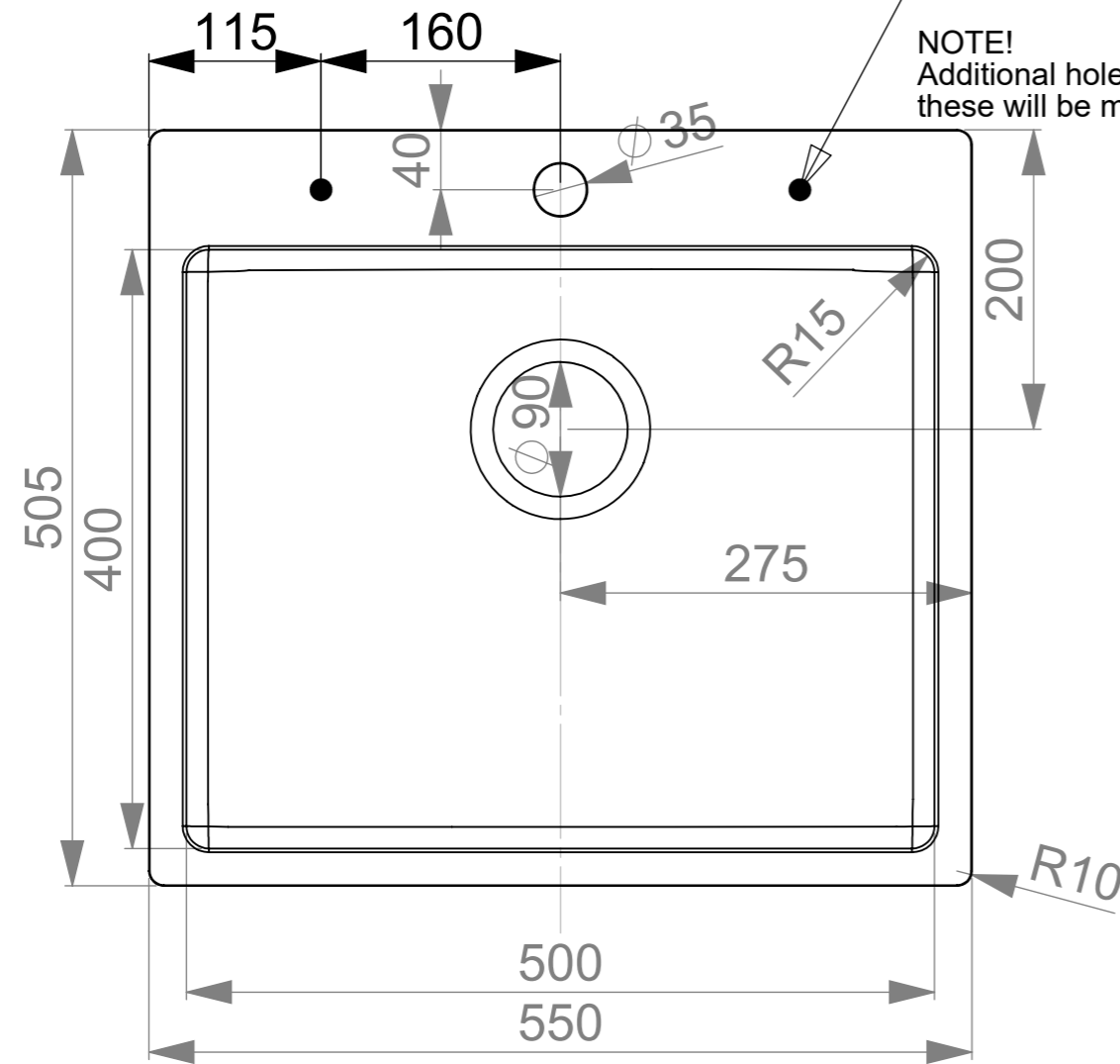
Change description  
Type of fixing clips changed, cut-out measurements changed

Date  
28.10.2021  
Designed by  
VS

A (2 : 1)

Place for additional holes in tap support. maximum  $\varnothing 35$ mm.

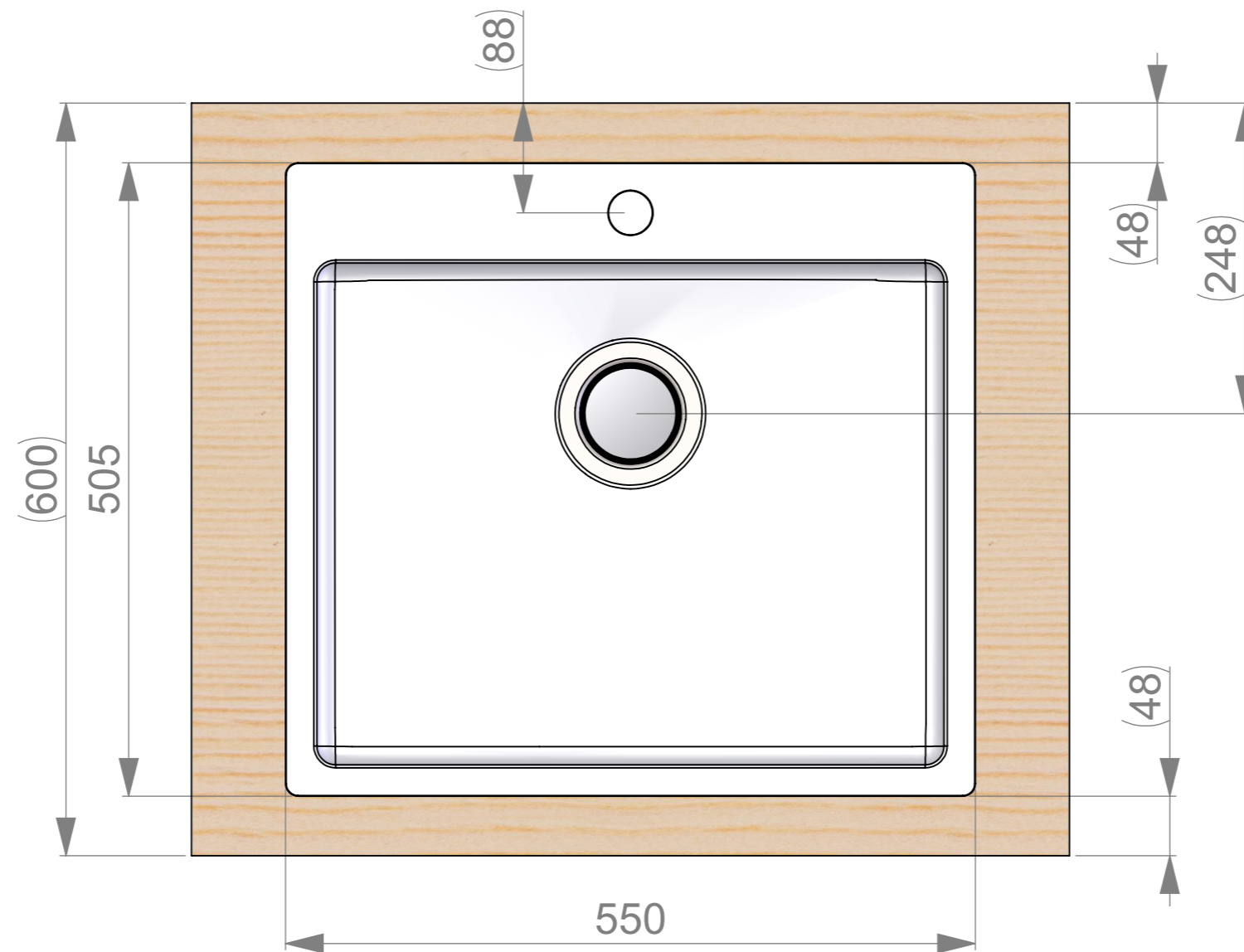
NOTE!  
Additional holes are not made by manufacturer,  
these will be made e.g. by the plumber!




	Mass	kg	General tolerance	Designed by	Date
	Size	Scale	Item	VS	05.02.2019
 Member of ALVEUS	A3	1:5	Description	Approved by	Date
	LAGOM-T50			Drawing number	Sheet/sheets
	Technical Data Sheet			18182	1/6
				Rev	C

Change description Type of fixing clips changed, cut-out measurements changed	Date 28.10.2021	Designed by VS
--	--------------------	-------------------

WORKTOP ASSEMBLY

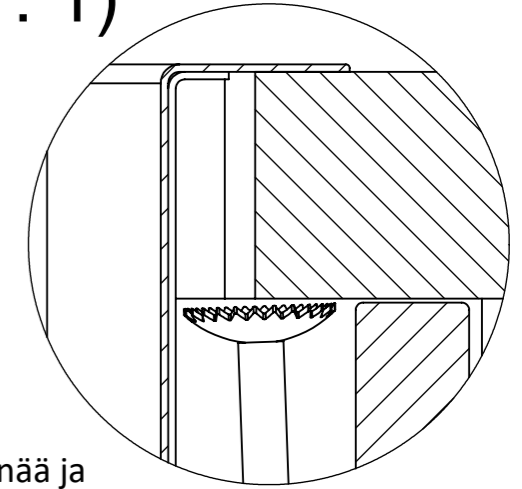
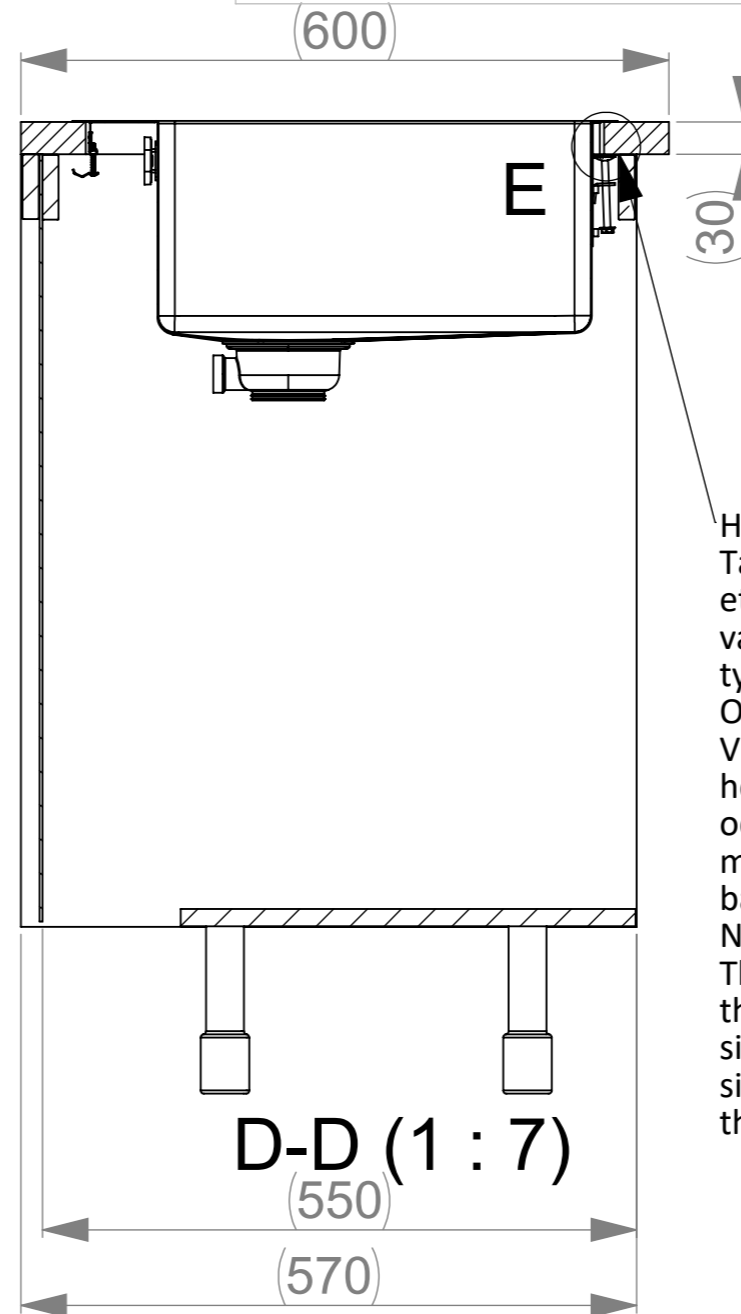
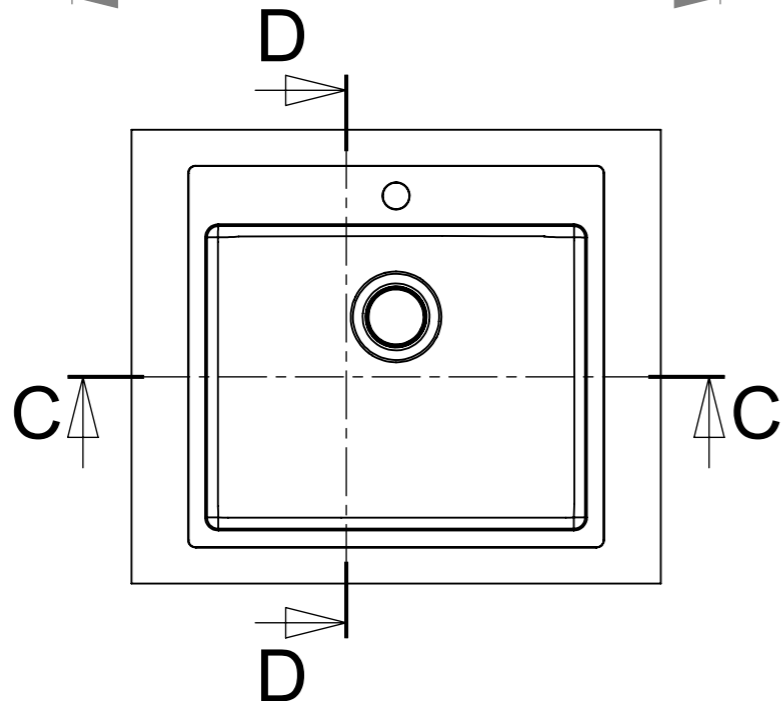
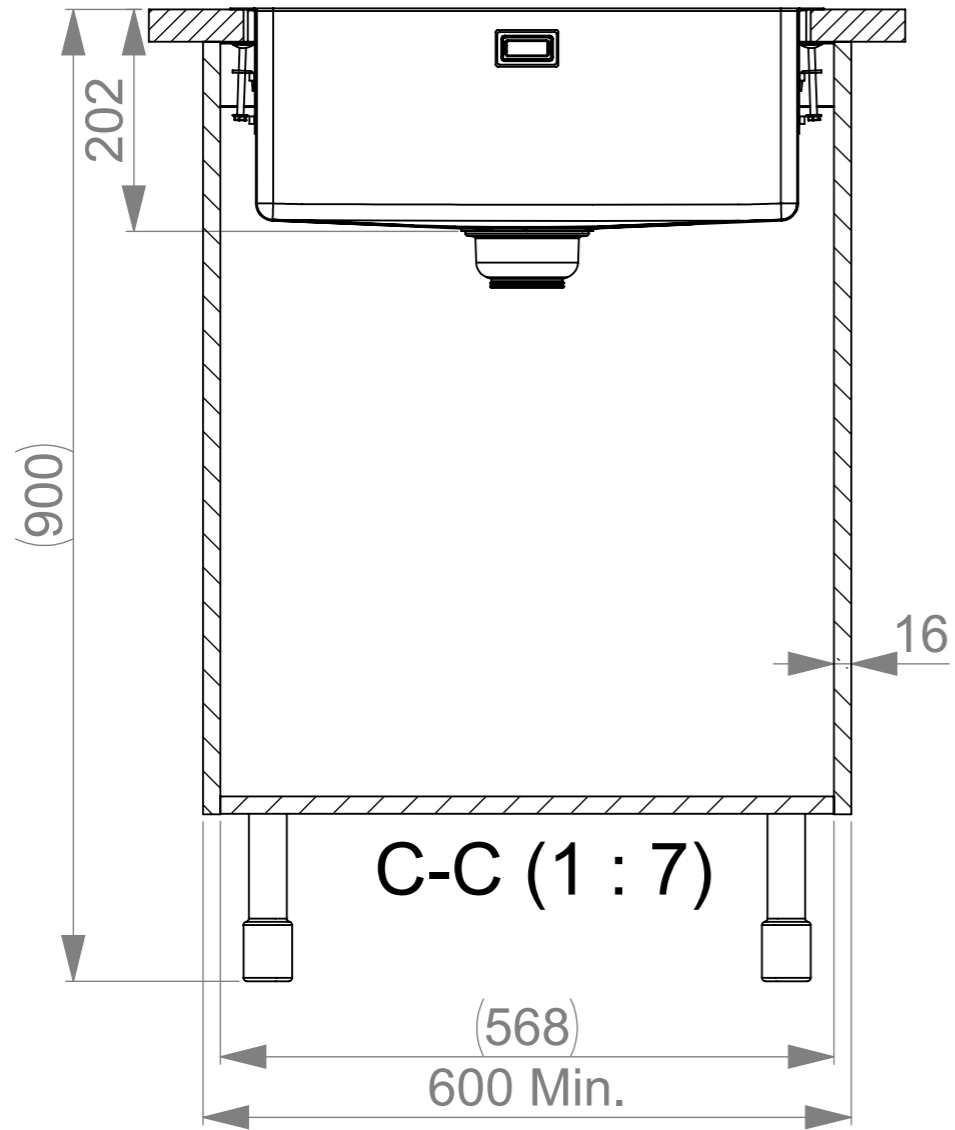


 Member of ALVEUS	Mass	kg	General tolerance	Designed by	Date
	Size	Scale	Item	VS	05.02.2019
	A3	1:5		Approved by	Date
			Description	Drawing number	Sheet/sheets
			LAGOM-T50	18182	2/6
			Technical Data Sheet		Rev
					C

SPACE REQUIREMENTS

Change description  
Type of fixing clips changed, cut-out measurements changed

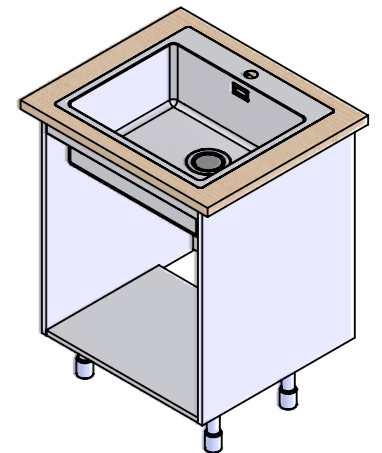
Date  
28.10.2021  
Designed by  
VS



Huom!  
Tarvittaessa kaapin väliseinää ja etu/takalistaa lovettava kiinnikkeitä varten ja pesuallas on kiinnitettävä ennen työtason asennusta.

Obs!  
Vid behov måste en inskärning för hofästena göras i skåpets mellanvägg och förbindningslist och diskbänken måste fästas innan du monterar bänkskivan.

Notice!  
The partition walls and front/back list of the cupboard must be notched for the sink mountings when needed and the sink must be fastened before installing the worktop.



	Mass	kg	General tolerance	Designed by	Date
	Size	Scale		VS	05.02.2019
<b>STALA</b> Member of ALVEUS	A3	1:10	Item	Approved by	Date
	Description		LAGOM-T50	Drawing number	Sheet/sheets
	Technical Data Sheet		18182	3/6	Rev

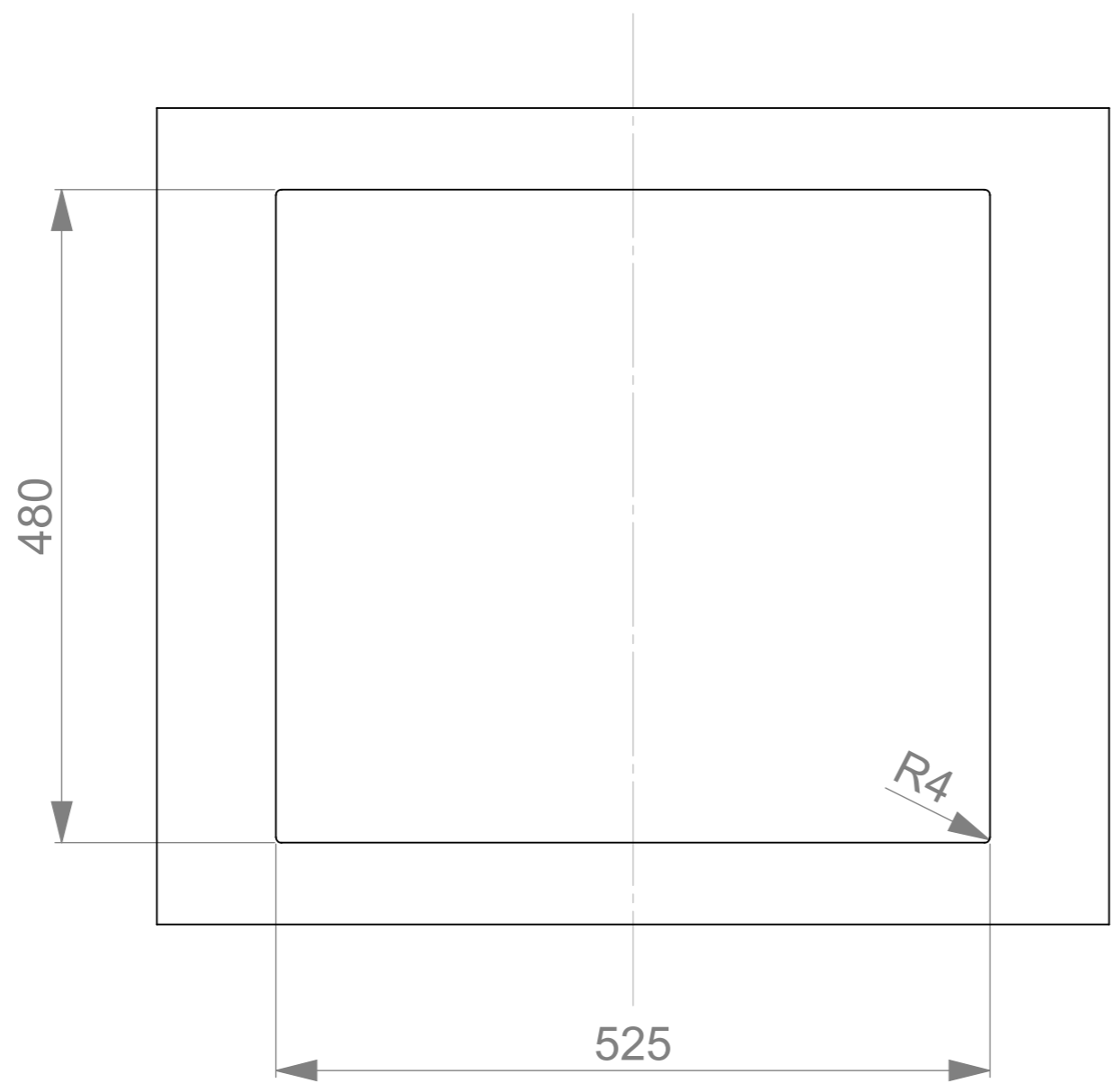
Change description  
 Type of fixing clips changed, cut-out measurements changed


Date  
 28.10.2021

Designed by  
 VS

A  
B  
C  
D  
E  
F

CUT-OUT



 Member of ALVEUS	Mass kg	General tolerance	Designed by VS	Date 05.02.2019
	Size A3		Scale 1:5	Approved by
Description LAGOM-T50 Technical Data Sheet		Drawing number 18182	Sheet/sheets 4/6	
			Rev C	

