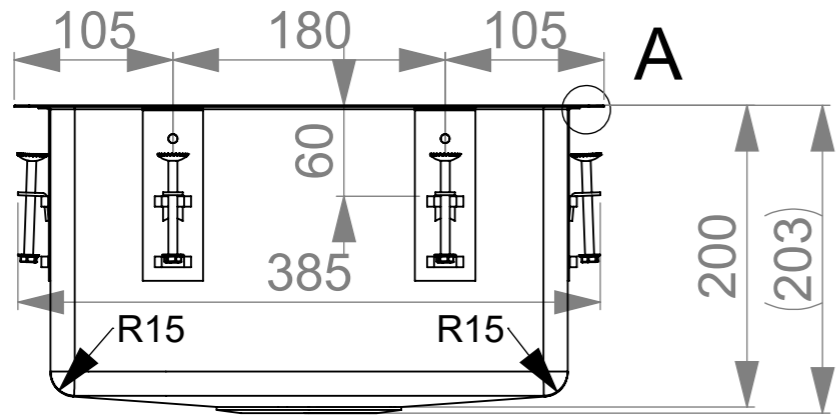


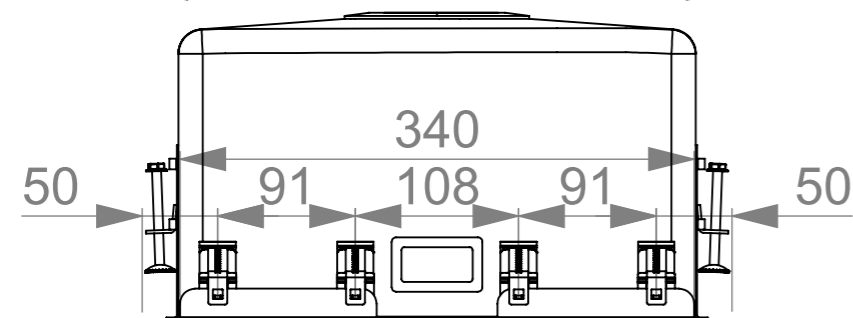
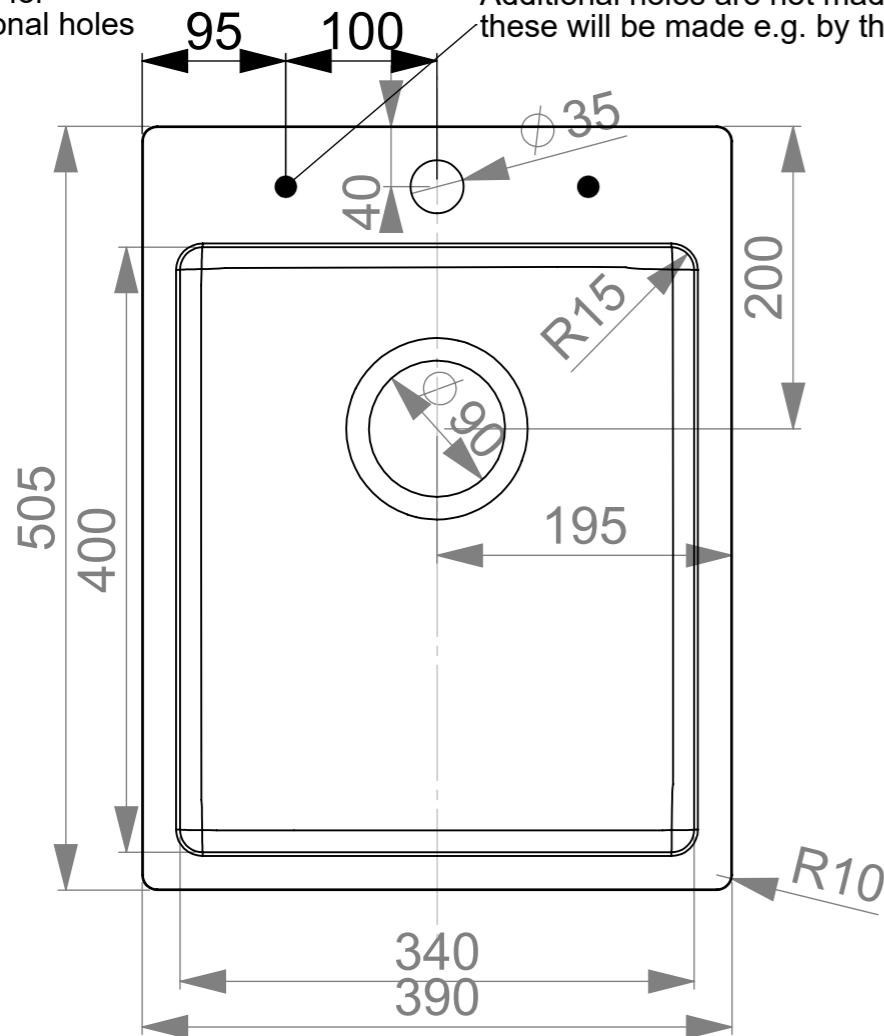
MAIN DIMENSIONS



Place for additional holes in tap support. Maximum $\varnothing 35$ mm.

Place for additional holes

NOTE!
Additional holes are not made by manufacturer, these will be made e.g. by the plumber!

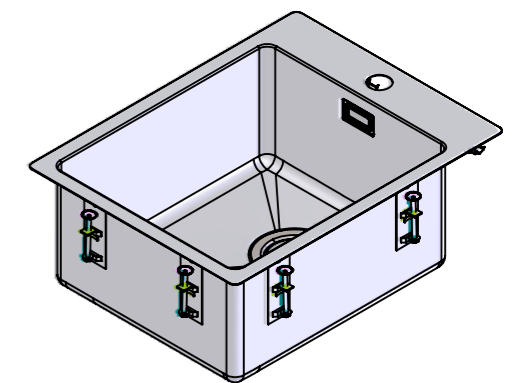
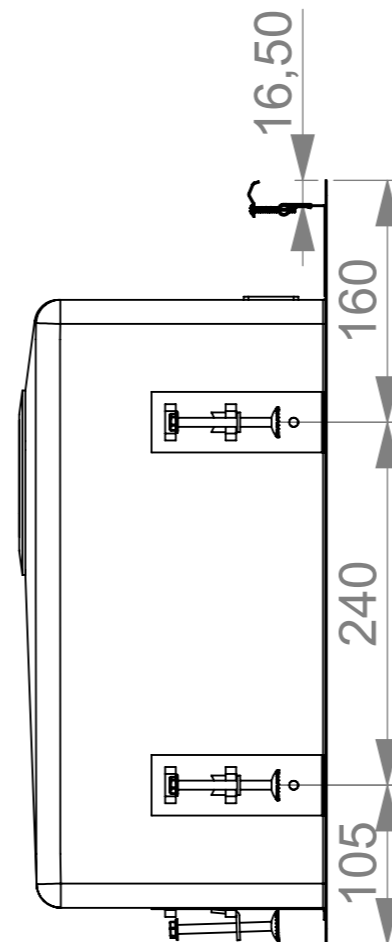
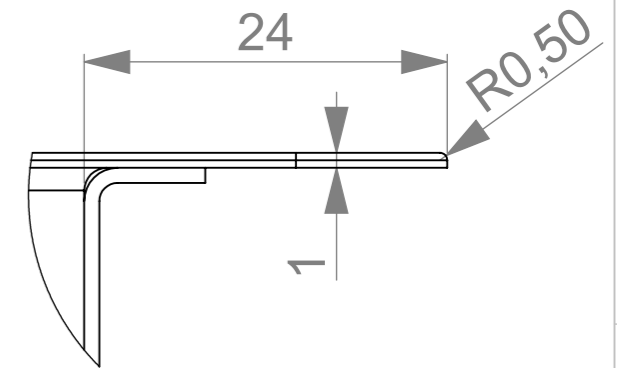



Change description
Type of fixing clips changed, cut-out measurements changed

Date
28.10.2021

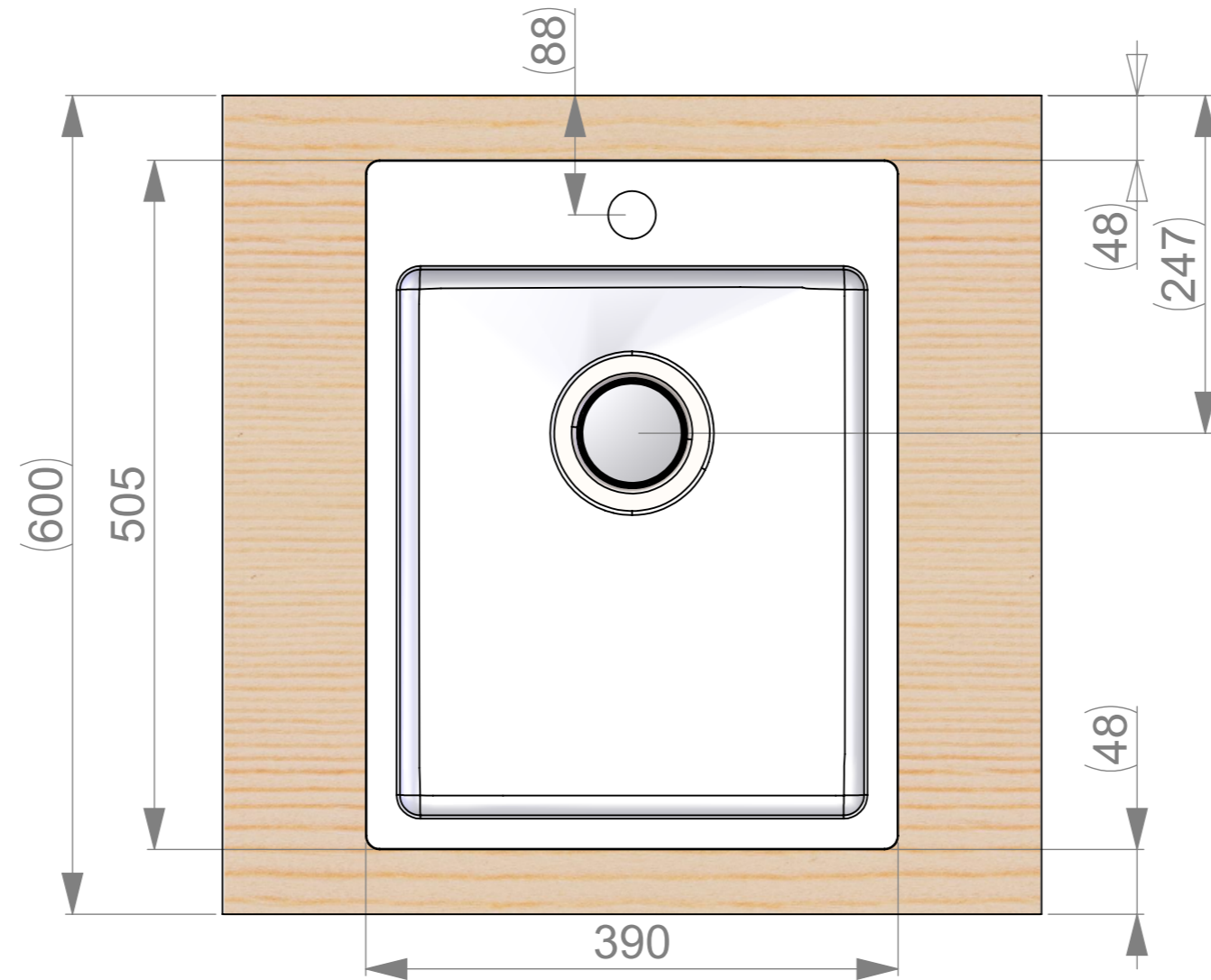
Designed by
VS

Mono Edge
A (2 : 1)



 Member of ALVEUS	Mass	kg	General tolerance	Designed by	Date
	Size	Scale	Item	VS	05.02.2019
STALA Member of ALVEUS	A3	1:5	Description	Approved by	Date
			LAGOM-T34	Drawing number	Sheet/sheets
			Technical Data Sheet	18176	1/6
				Rev	D

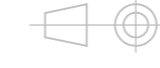
WORKTOP ASSEMBLY



Change description
Type of fixing clips changed, cut-out measurements changed

Date
28.10.2021

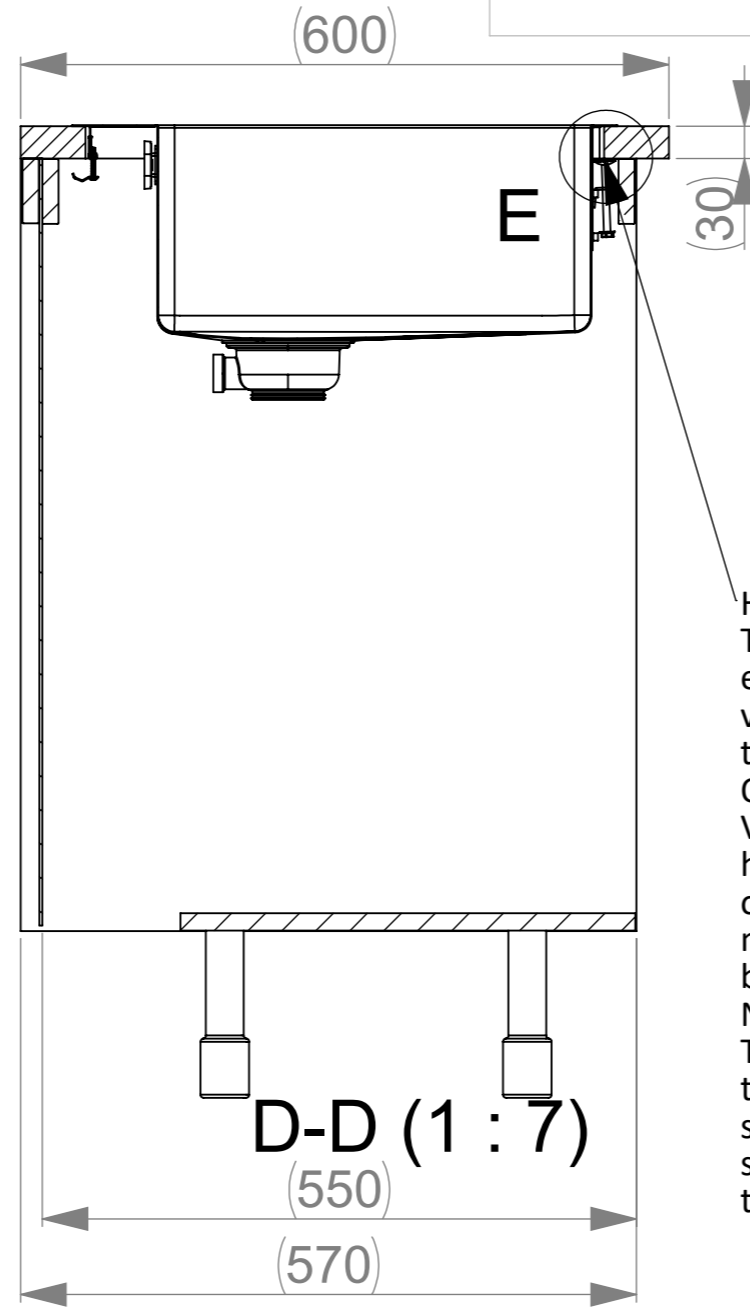
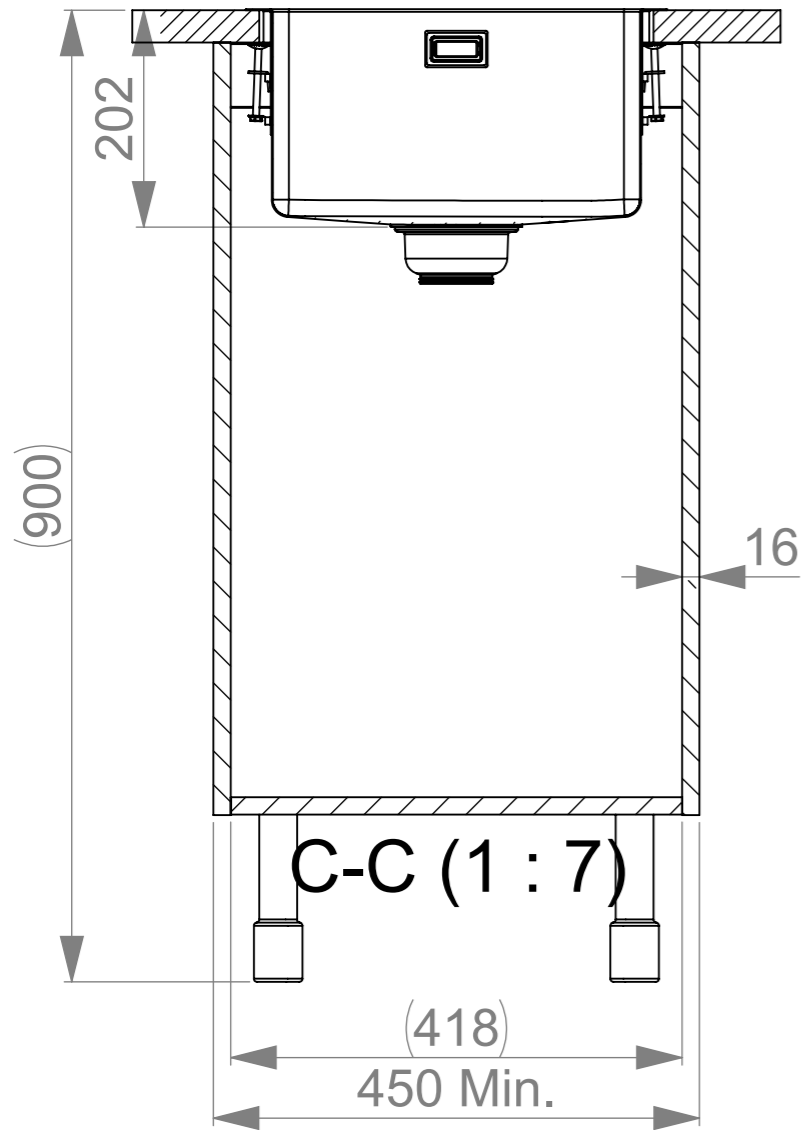
Designed by
VS

	Mass	kg	General tolerance	Designed by	Date
	Size	Scale		VS	05.02.2019
STALA Member of ALVEUS	A3	1:5	Description LAGOM-T34 Technical Data Sheet	Approved by	Date
				Drawing number	Sheet/sheets
				18176	2/6
				Rev	D

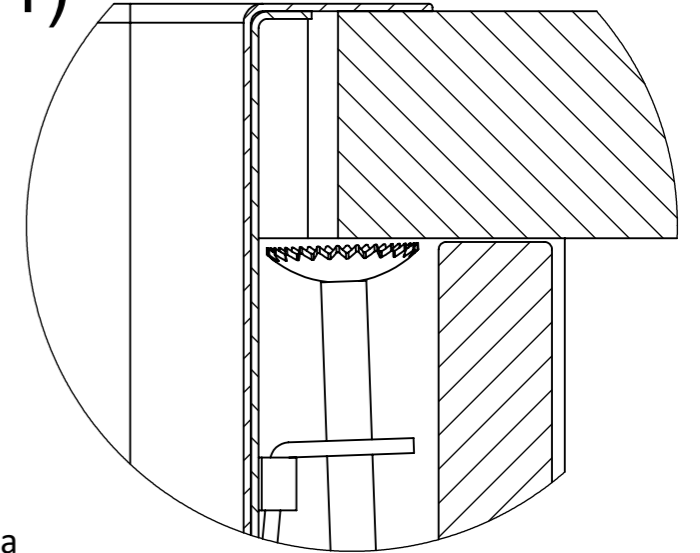
Change description
Type of fixing clips changed, cut-out measurements changed

Date
28.10.2021
Designed by
VS

SPACE REQUIREMENTS



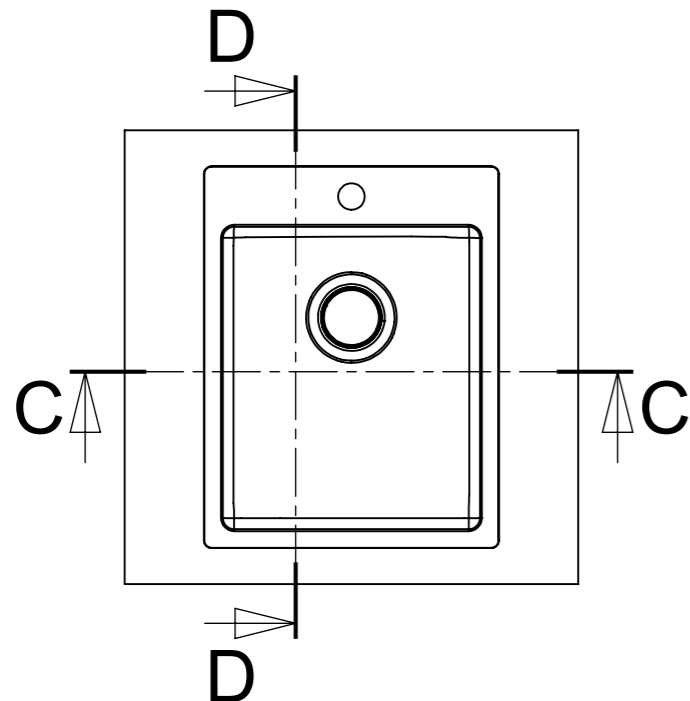
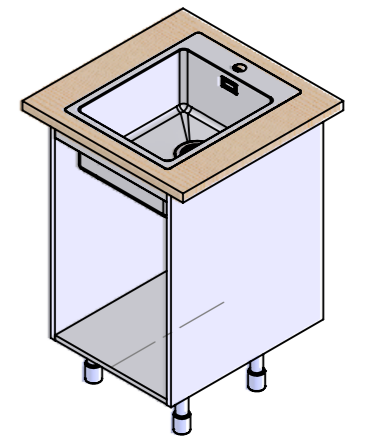
E (1 : 1)




Huom!
Tarvittaessa kaapin väliseinää ja etu/takalistaa lovetettava kiinnikkeitä varten ja pesuallas on kiinnitettävä ennen työtason asennusta.

Obs!
Vid behov måste en inskärning för hofästena göras i skåpets mellanvägg och förbindningslist och diskbänken måste fästas innan du monterar bänkskivan.

Notice!
The partition walls and front/back list of the cupboard must be notched for the sink mountings when needed and the sink must be fastened before installing the worktop.



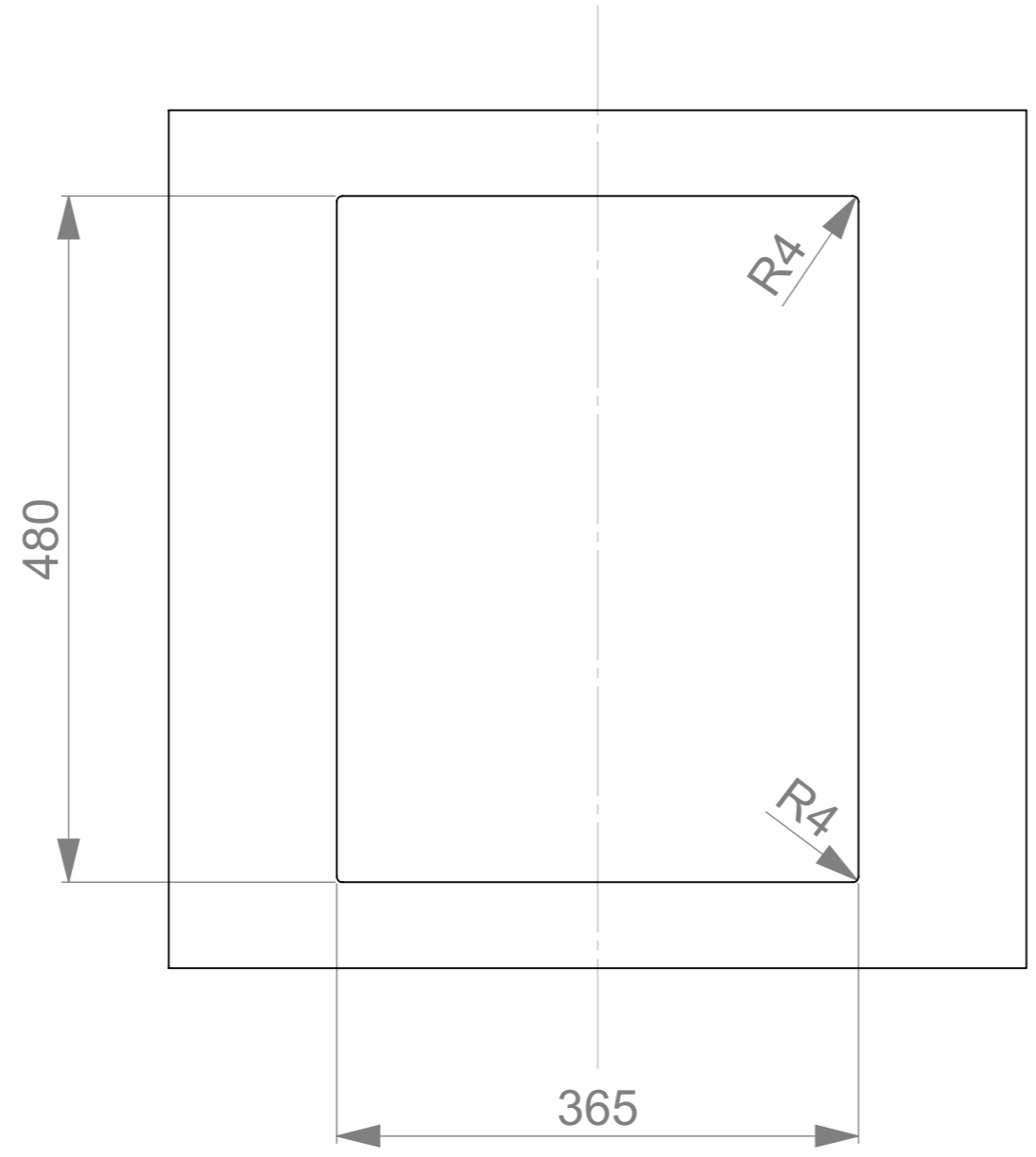
 Member of ALVEUS	Mass	kg	General tolerance	Designed by	Date
	Size	Scale	Item	VS	05.02.2019
	A3	1:10		Approved by	Date
			Description	Drawing number	Sheet/sheets
			LAGOM-T34	18176	3/6
			Technical Data Sheet		Rev
					D

Change description
 Type of fixing clips changed, cut-out measurements changed

Date
 28.10.2021


Designed by
 VS

CUT-OUT



A
B
C
D
E
F

A
B
C
D
E
F

	Mass	kg	General tolerance	Designed by	Date
	Size	Scale		VS	05.02.2019
STALA Member of ALVEUS	A3	1:5	Description LAGOM-T34 Technical Data Sheet	Approved by	Date
				Drawing number	Sheet/sheets
				18176	4/6
				Rev	D

