



DecoScene DBP522

DBP522 CDM-T35W/830 II WB GR RMR

Decoscene Medium - MASTERColour CDM-T - 35 W - Wide beam

DecoScene is a ground-recessed uplighter for enhancing, highlighting or even revealing the architecture of the city at night. An unobtrusive presence by day, DecoScene offers a wide choice of light sources, beams, adjustment possibilities and accessories to deliver the optimum upward lighting effect after dark, e.g. to illuminate monuments, highlight a striking piece of architecture or mark out a luminous path through a park or garden. The DecoScene range, comprising three conventional versions (DBP521, DBP522 and DBP523) and one LED version (BBP521), complies with the CEI 60598-2-13 norm and offers a glass temperature below 80°C. A wide choice of accessories is available, e.g. for enhanced guidance.

Product data

General Information	
Number of light sources	1 pc
Lamp family code	CDM-T [MASTERColour CDM-T]
Lamp power	35 W
Light source color	830 warm white
Kombipack	Lamp(s) included
Light source replaceable	Yes
Gear	CONV [Conventional]
Driver/power unit/transformer	-
Driver included	Yes
Optical cover/lens type	Clear glass
Electrical circuit protection	-
Cable	-
Protection class IEC	Safety class II

Shape	Round version - to be replaced by RND
Accessories included	Default accessory included
Suspension accessories	-
Decorative accessories	-
Optic type outdoor	Wide beam
Glasses	-
Product family code	DBP522 [Decoscene Medium]
Operating and Electrical	
Input Voltage	230 V
Input Frequency	50 Hz

DecoScene DBP522

Controls and Dimming

Dimmable No

Mechanical and Housing

Mounting device Recessed mounting box round

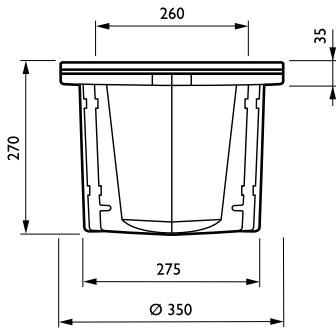
Product Data

Full product code 871155972803200
 Order product name DBP522 CDM-T35W/830 II WB GR RMR

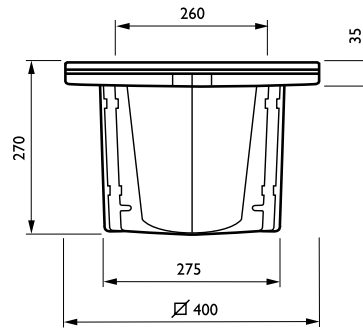
EAN/UPC - Product	8711559728032
Order code	910403097412
Numerator - Quantity Per Pack	1
Numerator - Packs per outer box	1
Material Nr. (12NC)	910403097412
Net Weight (Piece)	16.210 kg



Dimensional drawing

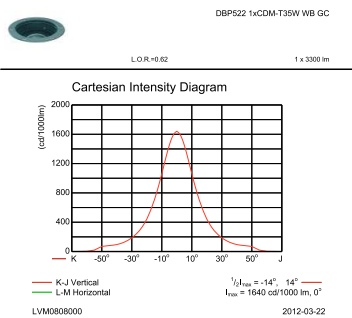


DecoScene DBP521



DecoScene DBP521

Photometric data



OFCC1_DBP522 1xCDM-T35W WB GC.EPS

