

## DEAD-END CLAMP SO 85

<b>TECHNICAL DATA</b>	Type	SO 85
	Cross section	AAAC 25 - 120 mm <sup>2</sup> (PAS 35-120) ACSR 25 - 99 mm <sup>2</sup>
	Test load	35 kN
	Max load in use	20 kN
	Bolts	2 x M12
	Weight	700 g
	Tightening torque	55 Nm

**USE** For dead-ending the overhead lines with bare or covered conductors at low and medium voltages.

### CONSTRUCTION

Component	Material
Body	Corrosion resistant aluminium alloy
Bolts	Hot-dip galvanised steel

### INSTALLATION

The conductor is inserted on one side, clamping by two screws. Covered conductor must be peeled.

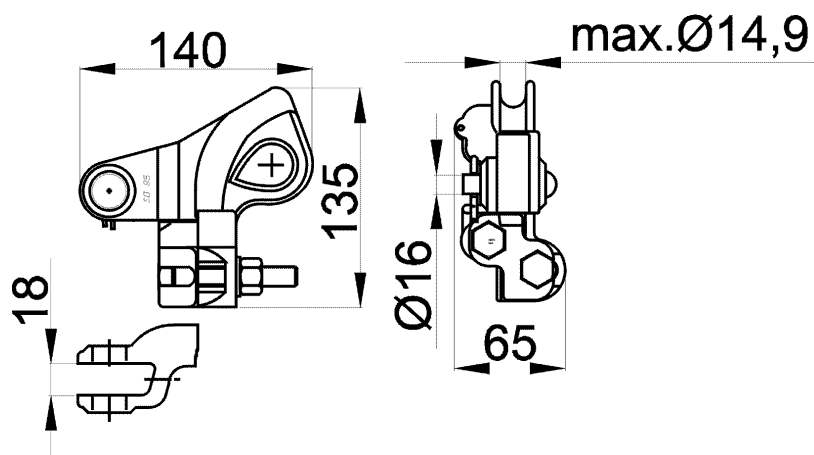
### TOOLS REQUIRED

Articulated spanner ST 20

**MARKINGS** SO 85 Al/Fe 25-132

**STANDARD** SFS 2663, VDE 0220 Teil 1/11.71 and Teil 2/11.71

**PACKING** 25 pcs in a cardboard box



#### UTILITY NETWORKS

Ensto Sekko Oy  
Kipinätie 1  
PL 51  
06101 Porvoo

Ensto Sekko Oy  
Kipinätie 1  
P.O. Box 51  
06101 Porvoo  
Finland

Tel. +358 (0) 204 76 21  
Fax +358 (0) 204 76 2771  
[www.ensto.com](http://www.ensto.com)

Reg. No. 166.780  
Reg. office: Porvoo