

INSULATION PIERCING CONNECTOR SL 11.11

TECHNICAL DATA

Type	SL 11.11
Main conductor	Al 10-95mm ² or Cu 1,5-70mm ²
Branch conductor	Al 10-95mm ² or Cu 1,5-70mm ²
Screw	Allen screw
Test voltage	4 kV/50 Hz/1min.
Weight	115 g
Tightening torque	20 Nm

USE

Connections when using insulated aluminium or copper conductors. The design enables hot line installation without peeling the insulation of the conductor.

CONSTRUCTION

Component	Material
Body	Tin plated corrosion resistant aluminium alloy, tensile strength 300 N/mm ²
Spring plates	Stainless spring steel
Allen screw	Stainless steel
Cover	Weather and UV-radiation resistant plastic

The teeth inside the connector are greased to retard water entry and corrosion of aluminium conductors.

INSTALLATION

Remove conductor inlet caps according to the connection to be made. Open the upper lid. Unscrew the allen screw until the conductors can be placed into the connector. Tighten the screw to 20 Nm torque. Replace the upper lid.

TOOLS REQUIRED

Hex head wrench ST 32 or tightening tool ST 148 and torque wrench ST 30
Fork wrench ST 34

MARKINGS

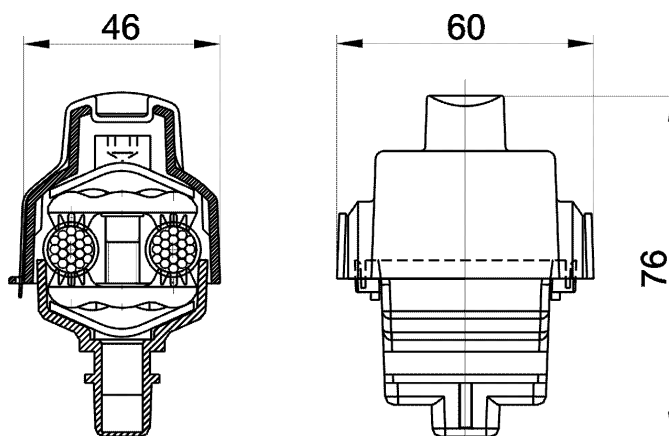
SL 11.11
Al 10-95mm², Cu 1,5-70mm²
Al 10-95mm², Cu 1,5-70mm²

STANDARD

SFS 2663, SEN 241 510, SEN 245012, VDE 220 Teil 1/11.71 and Teil 2/11.71

PACKING

50 pcs in a cardboard box



UTILITY NETWORKS

Ensto Sekko Oy
Kipinätie 1
PL 51
06101 Porvoo

Ensto Sekko Oy
Kipinätie 1
P.O. Box 51
06101 Porvoo
Finland

Tel. +358 (0) 204 76 21
Fax +358 (0) 204 76 2771
www.ensto.com

Reg. No. 166.780
Reg. office: Porvoo