

MULTI-CLEAT SO 103

TECHNICAL DATA

Type	SO 103
For cable diameters	16 - 25 mm
A clearance cable/wall	0 or 5 mm
Nails	50 x 2,5 mm
Weight	10 g

USE Used for the attachment of cables or tubes to wooden surfaces or hard walls.

CONSTRUCTION

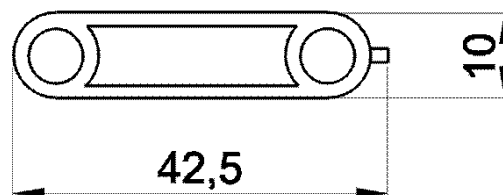
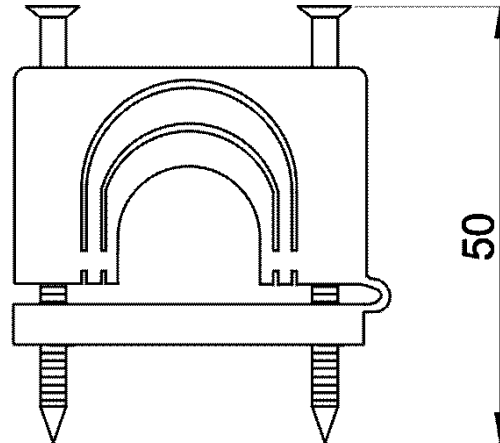
Component	Material
Body	Weather and UV-radiation resistant thermoplastic
Nails	Hot-dip galvanised steel

TOOLS REQUIRED

Hammer

MARKINGS SO 103

PACKING 100 pcs in a cardboard box



UTILITY NETWORKS

Ensto Sekko Oy
Kipinätie 1
PL 51
06101 Porvoo

Ensto Sekko Oy
Kipinätie 1
P.O. Box 51
06101 Porvoo
Finland

Tel. +358 (0) 204 76 21
Fax +358 (0) 204 76 2771
www.ensto.com

Reg. No. 166.780
Reg. office: Porvoo