

# [PROF]

## TRUE RMS MULTIMETER DM200, 600V 502212371



Manual instructions material/  
Ohjekirjan materiaali/  
Instruktionsmaterial/  
Håndbok instruksjonsmateriale/  
Juhendmaterjal/Lietošanas norādījumi/  
Naudojimo vadovo medžiaga/  
Instrukcja dot. materiału/  
Материал руководства по эксплуатации



**K** Manufactured for • Valmistuttaja • Tillverkad för • Produsert för •  
Fremstillet til • Toodetud • Ražošanas pasūtītājs • Kieno užsakymu  
pagaminta • Wyprodukowano dla • Kesko Corporation Building and  
technical trade, Työpajankatu 12, FI- 00580 Helsinki, www.kesko.fi/  
contact. © Kesko 2026 Made in China. Dystrybucja w Polsce;  
Onninen Sp. z o.o. Teolin 18b 92-701 Łódź, www.onninen.pl  
Onninen Sp. z o.o. jest częścią Grupy Kesko Oyj.

**Instruction manual** (Original instructions)

**Käyttöohje** (Alkuperäisten ohjeiden käännös)

**Bruksanvisning** (Översättning av originalinstruktionerna)

**Bruksanvisning** (Översettelse av de opprinnelige instruksjonene)

**Kasutusjuhend** (Tõlgitud originaal juhendist)

**Instrukcija** (Tulkojums no oriģinālvalodas)

**Naudojimo instrukcijos** (Vertimas originali instrukcija)

**Instrukcja obsługi** (Originalna instrukcja)

**Руководство пользователя** (Перевод исходных инструкций)

**GB** 1-12

**FI** 13-24

**SE** 25-36

**NO** 37-48

**EE** 49-60

**LV** 61-73

**LT** 74-85

**PL** 86-98

**RU** 99-116

## 1. Introduction

This meter measures AC/DC Voltage, AC/DC Current, Resistance, Capacitance, Frequency (electrical ), Diode Test, and Continuity . It features a waterproof, rugged design for heavy duty use. Proper use and care of this meter will provide many years of reliable service.

### Safety

This symbol adjacent to another symbol, terminal or operating device indicates that the operator must refer to an explanation in the Operating Instructions to avoid personal injury or damage to the meter.

**WARNING**

This WARNING symbol indicates a potentially hazardous situation, which if not avoided, could result in death or serious injury.

**CAUTION**

This CAUTION symbol indicates a potentially hazardous situation, which if not avoided, may result damage to the product.



This symbol advises the user that the terminal(s) so marked must not be connected to a circuit point at which the voltage with respect to earth ground exceeds (in this case) 600VAC or VDC.



This symbol adjacent to one or more terminals identifies them as being associated with ranges that may, in normal use, be subjected to particularly hazardous voltages. For maximum safety, the meter and its test leads should not be handled when these terminals are energized.



This symbol indicates that a device is protected throughout by double insulation or reinforced insulation.

## 2. PER IEC1010 OVERVOLTAGE INSTALLATION CATEGORY

### OVERVOLTAGE CATEGORY I

Equipment of OVERVOLTAGE CATEGORY I is equipment for connection to circuits in which measures are taken to limit the transient overvoltages to an appropriate low level.

Note – Examples include protected electronic circuits.

### OVERVOLTAGE CATEGORY II

Equipment of OVERVOLTAGE CATEGORY II is energy-consuming equipment to be supplied from the fixed installation.

Note – Examples include household, office, and laboratory appliances.

### OVERVOLTAGE CATEGORY III

Equipment of OVERVOLTAGE CATEGORY III is equipment in fixed installations.  
 Note – Examples include switches in the fixed installation and some equipment for industrial use with permanent connection to the fixed installation.

### OVERVOLTAGE CATEGORY IV

Equipment of OVERVOLTAGE CATEGORY IV is for use at the origin of the installation.  
 Note – Examples include electricity meters and primary over-current protection equipment

## 3. SAFETY INSTRUCTIONS

This meter has been designed for safe use, but must be operated with caution.

The rules listed below must be carefully followed for safe operation.

3.1. **NEVER** apply voltage or current to the meter that exceeds the specified maximum:

Input Protection Limits	
Function	Maximum Input
V DC or V AC	600V DC/AC rms
mA AC/ DC	500mA 600V fast acting fuse
A AC/ DC	10A 600V fast acting fuse
Frequency, Resistance, Capacitance, Diode Test, Continuity	300V DC/ AC rms
Surge Protection: 6kV peak per IEC 61010	

3.2. **USE EXTREME CAUTION** when working with high voltages.

3.3. **DO NOT** measure voltage if the voltage on the "COM" input jack exceeds 600V above earth ground.

3.4. **NEVER** connect the meter leads across a voltage source while the function switch is in the current, resistance, or diode mode. Doing so can damage the meter.

3.5. **ALWAYS** discharge filter capacitors in power supplies and disconnect the power when making resistance or diode tests.

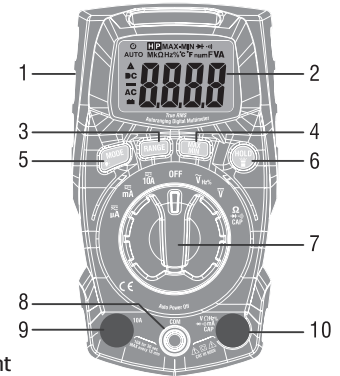
3.6. **ALWAYS** turn off the power and disconnect the test leads before opening the covers to replace the fuse or batteries.

3.7. **NEVER** operate the meter unless the back cover and the battery and fuse covers are in place and fastened securely.

3.8. If the equipment is used in a manner not specified by the manufacturer, the protection provided by the equipment may be impaired.

## 4. Controls and Jacks

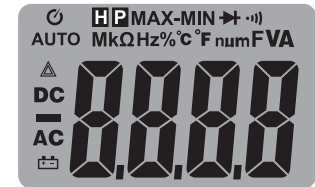
1. Battery Cover
2. 4,000 counts LCD Negativity display
3. RANGE button
4. MAX/MIN button
5. Mode button
6. HOLD and Flashlight button
7. Function switch
8. COM input jack
9. 10A input jacks
10. Positive, mA,  $\mu$ A input jack



**Note:** Tilt stand and battery compartment are on rear of unit.

## 5. Symbols and Annunciators

- Auto power off
- Continuity test
- Diode test
- Battery status
- nano (10<sup>-9</sup>) (capacitance)
- micro (10<sup>-6</sup>) (amps, cap)
- milli (10<sup>-3</sup>) (volts, amps)
- Amps
- kilo (10<sup>3</sup>) (ohms)
- Farad (Capacitance)
- mega (10<sup>6</sup>) (ohms)
- Ohms
- Hertz (Frequency)
- Volts
- Percent (duty ratio)



- AC** Alternating current
- AUTO** Autoranging
- DC** Direct current
- HOLD** Display hold
- MAX** Maximum
- MIN** Minimum

## Operating Instructions

**WARNING:** Risk of electrocution. High-voltage circuits, both AC and DC, are very dangerous and should be measured with great care.

1. ALWAYS turn the function switch to the OFF position when the meter is not in use.
2. If “OL” appears in the display during a measurement, the value exceeds the range you have selected. Change to a higher range.

### DC VOLTAGE MEASUREMENTS

**CAUTION:** Do not measure DC voltages if a motor on the circuit is being switched ON or OFF. Large voltage surges may occur that can damage the meter.

1. Set the function switch to the green VDC position.
2. Insert the black test lead banana plug into the negative COM jack. Insert the red test lead banana plug into the positive V jack.
3. Touch the black test probe tip to the negative side of the circuit. Touch the red test probe tip to the positive side of the circuit.
4. Read the voltage in the display.

### AC VOLTAGE (FREQUENCY, DUTY CYCLE) MEASUREMENTS

**WARNING:** Risk of Electrocution. The probe tips may not be long enough to contact the live parts inside some 240V outlets for appliances because the contacts are recessed deep in the outlets. As a result, the reading may show 0 volts when the outlet actually has voltage on it. Make sure the probe tips are touching the metal contacts inside the outlet before assuming that no voltage is present.

**CAUTION:** Do not measure AC voltages if a motor on the circuit is being switched ON or OFF. Large voltage surges may occur that can damage the meter.

1. Set the function switch to the green VAC/Hz/% position.
2. Insert the black test lead banana plug into the negative COM jack. Insert red test lead banana plug into the positive V jack.
3. Touch the black test probe tip to the neutral side of the circuit. Touch the red test probe tip to the “hot” side of the circuit.
4. Read the voltage in the display.
5. Press the HZ/% button to indicate “Hz”.
6. Read the frequency in the display.

7. Press the Hz/% button again to indicate “%”.
8. Read the % of duty cycle in the display.

### DC CURRENT MEASUREMENTS

**CAUTION:** Do not make 20A current measurements for longer than 30 seconds. Exceeding 30 seconds may cause damage to the meter and/or the test leads.

1. Insert the black test lead banana plug into the negative COM jack.
2. For current measurements up to 6000 $\mu$ A DC, set the function switch to the yellow  $\mu$ A position and insert the red test lead banana plug into the  $\mu$ A/mA jack.
3. For current measurements up to 600mA DC, set the function switch to the yellow mA position and insert the red test lead banana plug into the  $\mu$ A/mA jack.
4. For current measurements up to 20A DC, set the function switch to the yellow 10A/HZ/% position and insert the red test lead banana plug into the 10A jack.
5. Press the MODE button to indicate “DC” on the display.
6. Remove power from the circuit under test, then open up the circuit at the point where you wish to measure current.
7. Touch the black test probe tip to the negative side of the circuit. Touch the red test probe tip to the positive side of the circuit.
8. Apply power to the circuit.
9. Read the current in the display.

### AC CURRENT (FREQUENCY, DUTY CYCLE) MEASUREMENTS

**CAUTION:** Do not make 20A current measurements for longer than 30 seconds. Exceeding 30 seconds may cause damage to the meter and/or the test leads.

1. Insert the black test lead banana plug into the negative COM jack.
2. For current measurements up to 6000 $\mu$ A AC, set the function switch to the yellow  $\mu$ A position and insert the red test lead banana plug into the  $\mu$ A/mA jack.
3. For current measurements up to 600mA AC, set the function switch to the yellow mA position and insert the red test lead banana plug into the  $\mu$ A/mA jack.

- For current measurements up to 20A AC, set the function switch to the yellow 10A/HZ/% position and insert the red test lead banana plug into the 10A jack.
- Press the MODE button to indicate “AC” on the display.
- Remove power from the circuit under test, then open up the circuit at the point where you wish to measure current.
- Touch the black test probe tip to the neutral side of the circuit. Touch the red test probe tip to the “hot” side of the circuit.
- Apply power to the circuit.
- Read the current in the display.

## RESISTANCE MEASUREMENTS

**WARNING:** To avoid electric shock, disconnect power to the unit under test and discharge all capacitors before taking any resistance measurements. Remove the batteries and unplug the line cords.

- Set the function switch to the green  $\rightarrow \rightarrow \rightarrow \Omega$  CAP position. Insert the black test lead banana plug into the negative **COM** jack. Insert the red test lead banana plug into the positive  $\Omega$  jack.
- Press the **MODE** button to indicate “ $\Omega$ ” on the display.
- Touch the test probe tips across the circuit or part under test. It is best to disconnect one side of the part under test so the rest of the circuit will not interfere with the resistance reading.
- Read the resistance in the display.

## CONTINUITY CHECK

**WARNING:** To avoid electric shock, never measure continuity on circuits or wires that have voltage on them.

- Set the function switch to the green  $\rightarrow \rightarrow \rightarrow \Omega$  CAP position.
- Insert the black lead banana plug into the negative **COM** jack. Insert the red test lead banana plug into the positive  $\Omega$  jack.
- Press the **MODE** button to indicate “ $\rightarrow \rightarrow \rightarrow$ ” and “ $\Omega$ ” on the display.
- Touch the test probe tips to the circuit or wire you wish to check.
- If the resistance is less than approximately 50 $\Omega$ , the audible signal will sound.  
If the circuit is open, the display will indicate “OL”.

## DIODE TEST

- Set the function switch to the green  $\rightarrow \rightarrow \rightarrow \Omega$  CAP position.
- Insert the black test lead banana plug into the negative **COM** jack and the red test lead banana plug into the positive V jack.
- Press the MODE button to indicate  $\rightarrow \rightarrow \rightarrow$  and **V** on the display.
- Touch the test probes to the diode under test. Forward voltage will typically indicate 0.400 to 0.700V. Reverse voltage will indicate “OL”. Shorted devices will indicate near 0V and an open device will indicate “OL” in both polarities.

## CAPACITANCE MEASUREMENTS

**WARNING:** To avoid electric shock, disconnect power to the unit under test and discharge all capacitors before taking any capacitance measurements. Remove the batteries and unplug the line cords.

- Set the function switch to the green  $\rightarrow \rightarrow \rightarrow \Omega$  CAP position.
- Insert the black test lead banana plug into the negative **COM** jack. Insert the red test lead banana plug into the positive V jack.
- Press the **MODE** button to indicate “nF” on the display.
- Touch the test leads to the capacitor to be tested.
- The test may take up to 3 minutes or more for large capacitors to charge. Wait until the readings settle before ending the test.
- Read the capacitance value in the display.

## 6. AUTORANGING/MANUAL RANGE SELECTION

When the meter is first turned on, it automatically goes into Autoranging. This automatically selects the best range for the measurements being made and is generally the best mode for most measurements. For measurement situations requiring that a range be manually selected, perform the following:

- Press the **RANGE** key. The “**AUTO**” display indicator will turn off.
- Press the **RANGE** key to step through the available ranges until you select the range you want.
- To exit the Manual Ranging mode and return to Autoranging, press and hold the **RANGE** key for 2 seconds.

**Note:** Manual ranging does not apply for the Capacitance and Frequency functions.

## MAX/MIN

**Note:** When using the MAX/MIN function in Autoranging mode, the meter will “lock” into the range that is displayed on the LCD when MAX/MIN is activated. If a MAX/Min reading exceeds that range, an “OL” will be displayed. Select the desired range BEFORE entering MAX/MIN mode.

1. Press the MAX/MIN key to activate the MAX/MIN recording mode. The display icon “MAX” will appear. The meter will display and hold the maximum reading and will update only when a new “max” occurs.
2. Press the MAX/MIN key again and the display icon “MIN” will appear. The meter will display and hold the minimum reading and will update only when a new “min” occurs.
3. To exit MAX/MIN mode press and hold the MAX/MIN key for 2 seconds.

## DISPLAY BACKLIGHT

Positive Display and Backlight on when unit is turned on

## MODE

Press MODE key the selection of double measured functions which are present at display is possible. In particular this key is active in **V • ➔ • CAP • Ω** position to select among resistance test, diode test, continuity test and capacitance test, and in current position to select between AC or DC current measurements.

## HOLD/ FLASH LIGHT


The hold function freezes the reading in the display. Press the HOLD key momentarily to activate or to exit the HOLD function.

Press the HOLD key for >1 second to turn on or off the FLASH light function. The flash light and will automatically power OFF after 5 minutes of inactivity.

## AUTO POWER OFF

The auto off feature will turn the meter off after 15 minutes. To disable the auto power off feature, hold down the MODE button and turn the meter on.

## LOW BATTERY INDICATION

The  icon will appear in the lower left corner of the display when the battery voltage becomes low. Replace the battery when this appears.

## 7. Maintenance

**WARNING:** To avoid electric shock, disconnect the test leads from any source of voltage before removing the back cover or the battery or fuse covers.

**WARNING:** To avoid electric shock, do not operate your meter until the battery and fuse covers are in place and fastened securely.

This MultiMeter is designed to provide years of dependable service, if the following care instructions are performed:

1. KEEP THE METER DRY. If it gets wet, wipe it off.
2. USE AND STORE THE METER IN NORMAL TEMPERATURES. Temperature extremes can shorten the life of the electronic parts and distort or melt plastic parts.
3. HANDLE THE METER GENTLY AND CAREFULLY. Dropping it can damage the electronic parts or the case.
4. KEEP THE METER CLEAN. Wipe the case occasionally with a damp cloth. DO NOT use chemicals, cleaning solvents, or detergents.
5. USE ONLY FRESH BATTERIES OF THE RECOMMENDED SIZE AND TYPE. Remove old or weak batteries so they do not leak and damage the unit.
6. IF THE METER IS TO BE STORED FOR A LONG PERIOD OF TIME, the batteries should be removed to prevent damage to the unit.

## BATTERY INSTALLATION

**WARNING:** To avoid electric shock, disconnect the test leads from any source of voltage before removing the battery cover.

1. Turn power off and disconnect the test leads from the meter.
2. Open the rear battery cover by removing the screw using a Phillips head screwdriver.
3. Insert the battery into battery holder, observing the correct polarity.
4. Put the battery cover back in place. Secure with the screw.

**WARNING:** To avoid electric shock, do not operate the meter until the battery cover is in place and fastened securely.

**NOTE:** If your meter does not work properly, check the fuses and batteries to make sure that they are still good and that they are properly inserted.

## REPLACING THE FUSES

**WARNING:** To avoid electric shock, disconnect the test leads from any source of voltage before removing the fuse cover.

1. Disconnect the test leads from the meter.
2. Remove the battery cover.
3. Gently remove the old fuse and install the new fuse into the holder.
4. Always use a fuse of the proper size and value (0.5A/600V fast blow for the 600mA range, 10A/600V fast blow for the 20A range).
5. Replace and secure the rear cover, battery and battery cover.

**WARNING:** To avoid electric shock, do not operate your meter until the fuse cover is in place and fastened securely.

## 8. Specifications

Function	Range	Resolution	Accuracy
DC Voltage	400mV	0.1mV	±(1.0%reading + 5digits)
	4V	0.001V	±(1.0%reading + 3digits)
	40V	0.01V	
	400V	0.1V	
	600V	1V	
AC Voltage (50Hz to 60Hz)	4V	0.001V	±(1.2%reading + 3 digits)
	40V	0.01V	
	400V	0.1V	
	600V	1V	
All AC voltage ranges are specified from 5% of range to 100% of range			
DC Current	400µA	0.1µA	±(1.0%reading + 3digits)
	4000µA	1µA	
	40mA	0.01mA	
	400mA	0.1mA	
	4A	0.001A	±(1.2%reading + 3 digits)
	10A	0.01A	
	[20A: 30 sec max with reduced accuracy]		


AC Current (50Hz to 60Hz)	400µA	0.1µA	±(1.2%reading + 3 digits)
	4000µA	1µA	
	40mA	0.01mA	
	400mA	0.1mA	
	4A	0.001A	±(1.8%reading + 5 digits)
	10A	0.01A	
	[20A: 30 sec max with reduced accuracy]		
All AC voltage ranges are specified from 5% of range to 100% of range			

**NOTE:** Accuracy is stated at 65°F to 83°F (18°C to 28°C) and less than 75% RH.

Function	Range	Resolution	Accuracy
Resistance	400Ω	0.1kΩ	±(1.5%reading + 5 digits)
	4kΩ	0.001kΩ	
	40kΩ	0.01kΩ	
	400kΩ	0.1kΩ	
	4MΩ	0.001MΩ	
Capacitance	40MΩ	0.01MΩ	±(2.5%reading + 20 digits)
	40nF	0.01nF	±(4.5%reading + 10 digits)
	400nF	0.1nF	
	4µF	0.001µF	±(3.0%reading + 5 digits)
	40µF	0.01µF	
	400µF	0.1µF	
Frequency (electrical)	4000µF	1µF	±(5%reading + 5 digits)
	10.00-10KHz	0.01Hz	±(1.2% reading)
Duty Cycle	Sensitivity: 15Vrms		±(1.2% reading + 2 digits)
	0.1 to 99.9%	0.1%	
Pulse width: 100µs - 100ms, Frequency: 5Hz to 150kHz			

**Note:** Accuracy specifications consist of two elements:

- (% reading) – This is the accuracy of the measurement circuit.
- (+ digits) – This is the accuracy of the analog to digital converter.

<b>Enclosure</b>	Double molded
<b>Shock (Drop Test)</b>	6.5 feet (2 meters)
<b>Diode Test</b>	Test current of 1.5 mA maximum, open circuit voltage 3V DC typical
<b>Continuity Check</b>	Audible signal will sound if the resistance is less than 50Ω (approx.), test current <0.35mA
<b>Input Impedance</b>	>10MΩ VDC & >10MΩ VAC
<b>AC Response</b>	TRMS
<b>ACV Bandwidth</b>	50/60HZ(ALL WAVE) 45Hz to 1000Hz(SINE WAVE)
<b>Crest Factor</b>	≤3 at full scale up to 300V, decreasing linearly to ≤1.5 at 600V
<b>Display</b>	4,000 counts Positive Display
<b>Overrange indication</b>	"OL" is displayed
<b>Auto Power Off</b>	15 minutes (approximately) with disable feature
<b>Polarity</b>	Automatic (no indication for positive); Minus (-) sign for negative
<b>Measurement Rate</b>	3 times per second, nominal
<b>Low Battery indication</b>	"  " is displayed if battery voltage drops below operating voltage
<b>Battery</b>	Two "AAA" 1.5V Battery
<b>Fuses</b>	mA, μA ranges; 0.5A 600V ceramic fast blow A range; 10A/600V ceramic fast blow
<b>Operating Temperature</b>	5°C to 40°C (41°F to 104°F)
<b>Storage Temperature</b>	-20°C to 60°C (-4°F to 140°F)
<b>Operating Humidity</b>	Max 80% up to 31°C (87°F) decreasing linearly to 50% at 40°C (104°F)
<b>Storage Humidity</b>	<80%
<b>Operating Altitude</b>	2000meters (7000ft.) maximum
<b>Weight</b>	342g (0.753lb) (includes holster)
<b>Dimensions</b>	182 x 82 x 59mm (includes holster)
<b>Safety</b>	This meter is intended for origin of installation use and protected, against the users, by double insulation per EN61010-1 and IEC61010-1 2nd Edition (2001) to Category III 600V and Category II 1000V; Pollution Degree 2. The meter also meets UL 61010-1, 2nd Edition (2004), CAN/CSA C22.2 No. 61010-1 2nd Edition (2004), and UL 61010B-2-031, 1st Edition (2003)

## 1. JOHDANTO

Tämä mittari mittaa AC/DC-jännitettä, AC/DC-virtaa, resistanssia, kapasitanssia, taajuutta (sähköjärjestelmä), dioditestiä ja jatkuvuutta. Sen rakenne on vesitiivis ja luja raskasta käyttöä varten. Tämä mittari toimii luotettavasti monia vuosia, jos sitä käytetään ja hoidetaan oikein.

### Turvallisuus

Tämä symboli toisen symbolin, liittimen tai käyttölaitteen vieressä ilmaisee, että käyttäjän on katsottava selvitys käyttöohjeista välttääkseen henkilövahingot ja mittarin vaurioitumisen.

**WARNING**

Tämä VAROITUS-symboli ilmaisee mahdollisesti vaarallisen tilanteen, joka, jos sitä ei vältetä, voi aiheuttaa kuoleman tai vakavan vamman.

**CAUTION**

Tämä HUOMIO-symboli ilmaisee mahdollisesti vaarallisen tilanteen, joka, jos sitä ei vältetä, voi aiheuttaa vaurioita tuotteelle.



Tämä symboli ohjeistaa käyttäjää, että niin merkittyä liitintä® ei saa yhdistää piirin pisteeseen, jossa jännite maahan verrattuna ylittää (tässä tapauksessa) 600 VAC tai VDC.



Tämä symboli yhden tai useamman liittimen vieressä ilmaisee niiden liittyvän alueisiin, jotka normaalikäytössä voivat altistaa erityisen vaarallisille jännitteille. Parhaan turvallisuuden saavuttamiseksi mittaria ja sen mittaussjohtimia ei saa käsitellä, kun näissä liittimissä on jännite.



Tämä symboli ilmaisee, että laite on suojattu kaksoiseristyksellä tai vahvistetulla eristyksellä.

## 2. IEC1010-YLIJÄNNITEASENNUSLUOKAN MUKAISESTI YLIJÄNNITELUOKKA I

YLIJÄNNITELUOKKA I laitteita ovat laitteet, jotka on tarkoitettu kytkettäviksi mitattaviin piireihin, jotta transientit ylijännitteet voidaan rajoittaa asianmukaisille tasoille.

Huomaa - Esimerkkejä ovat suojatut sähköpiirit.

### YLIJÄNNITELUOKKA II

YLIJÄNNITELUOKKA II:n laitteet ovat energiaa kuluttavia laitteita, joita syötetään kiinteästä asennuksesta.

Huomaa - Esimerkkejä ovat kotitalous-, toimisto- ja laboratoriolaitteet.

### YLIJÄNNITELUOKKA III

YLIJÄNNITELUOKKA III:n laitteet ovat kiinteästi asennettuja.

Huomaa - Esimerkkejä ovat kiinteiden asennusten kytkimet ja jotkin teollisuuden laitteistot, joissa on jatkuva kytkentä kiinteään asennukseen.

### YLIJÄNNITELUOKKA IV

YLIJÄNNITELUOKKA IV:n laitteet on tarkoitettu käyttöön asennuksen alkupisteessä.

Huomaa - Esimerkkejä ovat sähkömittarit ja ensisijaiset ylivirtasuojalaitteet

## 3. TURVALLISUUSOHJEET

Mittari on suunniteltu turvalliseksi käyttää, mutta sen käytössä on noudatettava varovaisuutta. Alla olevia sääntöjä on noudatettava huolellisesti turvallisen käytön varmistamiseksi.

3.1. **ÄLÄ KOSKAAN** kytke mittariin jännitettä tai virtaa, joka ylittää määritellyn maksimin:

Tuloliitäntöjen suojausraajat	
Toiminto	Maksimitulo
VDC tai VAC	600 V DC/AC rms
mA AC/DC	500 mA 600 V nopea sulake
A AC/DC	10 A 600 V nopea sulake
Taajuus, Resistanssi, Kapasitanssi, Dioditesti, Jatkuvuus	300 V DC/AC rms
Ylijännitesuoja: 6 kV huippu, IEC 61010:n mukaan	

3.2. **NOUDATA ÄÄRIMMÄISTÄ VAROVAISUUTTA** työskennellessäsi suurjännitteillä.

3.3. **ÄLÄ** mittaa jännitettä, jos "COM"-tuloliitännän jännite ylittää 600 V maahan verrattuna.

3.4. **ÄLÄ KOSKAAN** kytke mittarin johtimia jännitelähteen yli kun toimintokytkin on virran, resistanssin tai diodin mittaustilassa. Sen tekeminen voi vaurioittaa mittaria.

3.5. **AINA** pura virtalähteiden suodatinkondensaattorit ja katkaise virta, kun teet resistanssimittauksia tai dioditestejä.

3.6. **AINA** sammuta virta ja irrota mittausjohtimet ennen kuin avaat kansia sulakkeen tai pariston vaihtamiseksi.

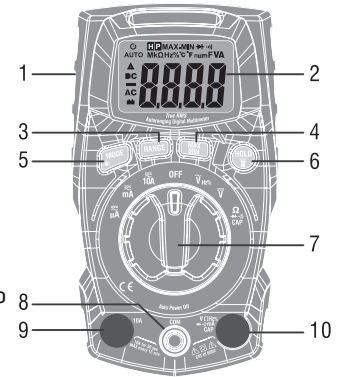
3.7. **ÄLÄ KOSKAAN** käytä mittaria elleivät sen takakansi sekä pariston ja sulakkeen kannet ole paikoillaan ja turvallisesti kiinnitettyinä.

3.8. Jos laitetta käytetään tavalla jota valmistaja ei ole määrittänyt, sen tarjoama suojaus voi vaarantua.

## 4. Ohjaimet ja liitännät

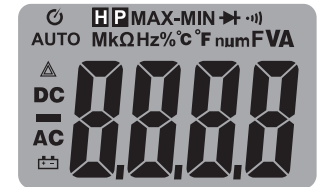
1. Paristokansi
2. 4000 laskennan LCD näyttö
3. RANGE-painike
4. MAX/MIN-painike
5. Tilapainike
6. HOLD- ja taskulamppupainike
7. Toimintokytkin
8. COM-tuloliitäntä
9. 10 A tuloliitännät
10. Positiivinen, mA,  $\mu$ A -tuloliitin

**Huomaa:** Kallistusajalusta ja paristokotelo ovat laitteen takareunassa.



## 5. Symbolit ja ilmaisimet

- Automaattinen virran kytkentä
- Jatkuvuus
- Dioditesti
- Pariston tila
- n** nano (10<sup>-9</sup>) (kapasitanssi)
- $\mu$**  mikro (10<sup>-6</sup>) (ampeirit, kap.)
- m** milli (10<sup>-3</sup>) (voltit, ampeirit)
- A** ampeeria
- K** kilo (10<sup>3</sup>) (ohmia)
- F** faradia (kapasitanssi)
- M** mega (10<sup>6</sup>) (ohmia)
- $\Omega$**  ohmit
- Hz** hertsiä (taajuus)
- V** voltia
- %** Prosenttiosuus (käyttösuhde)



- AC** Vaihtovirta
- AUTO** Automaattinen alue
- DC** Tasavirta
- HOLD** Näytön pito
- MAX** Maksimi
- MIN** Minimii

## Käyttöohjeet

**VAROITUS:** Sähköiskun vaaraa. Korkean jännitteen piirit, sekä AC että DC, ovat erittäin vaarallisia ja niitä on mitattava erityistä varovaisuutta noudattaen.

1. Aseta AINA toimintokytkin OFF-asentoon, kun mittaria ei käytetä.
2. Jos "OL" tulee näkyviin näytölle mittauksen aikana, arvo ylittää valitsemasi alueen. Vaihda suurempi alue.

### DC-JÄNNITEMITTAUKSET

**HUOMIO:** Älä mittaa DC-jännitteitä, jos piirin moottori kytketään päälle tai pois päältä. Voi ilmetä korkeajännitepiikkejä, jotka voivat vaurioittaa mittaria.

1. Aseta toimintokytkin vihreään VDC-asentoon.
2. Aseta mustan mittausjohtimen banaaniiliitin negatiiviseen COM-liittimeen. Aseta punainen mittausjohdin positiivisen V-liittimen banaaniiliitäntään.
3. Kosketa mustan mittausanturin kärjellä piirin negatiivista puolta. Kosketa punaisen mittausanturin kärjellä piirin positiivista puolta.
4. Lue jännite näytöltä.

### AC-JÄNNITTEEN (TAAJUUS, TYÖSYKLI) MITTAUKSET

**VAROITUS:** Sähköiskun vaaraa. Anturien kärjet eivät ehkä ole riittävän pitkiä ylettyäkseen jännitteellisiin osiin joissakin 240 V laitepistorasioissa, koska kontaktit on upotettu syvälle pistorasiaan. Tämä tuloksena lukema voi näyttää 0 volttia, kun lähdössä todellisuudessa on jännite. Varmista, että anturien kärjet koskettavat metalliosaa pistorasian sisällä ennen kuin oletat, että jännitettä ei ole.

**HUOMIO:** Älä mittaa AC-jännitteitä, jos piirin moottori kytketään päälle tai pois päältä. Voi ilmetä korkeajännitepiikkejä, jotka voivat vaurioittaa mittaria.

1. Aseta toimintokytkin vihreään VAC/Hz/% -asentoon.
2. Aseta mustan mittausjohtimen banaaniiliitin negatiiviseen COM-liittimeen. Aseta punaisen mittausjohtimen banaaniiliitin positiivisen V-liittimeen.
3. Kosketa mustan mittausanturin kärjellä piirin nollapuolta. Kosketa punaisen mittausanturin kärjellä piirin "kuumaa" puolta.
4. Lue jännite näytöltä.
5. Paina HZ/% -painiketta näyttääksesi "Hz".
6. Lue taajuus näytöltä.

7. Paina HZ/% -painiketta uudelleen näyttääksesi "%".
8. Lue työsyklin %-osuus näytöltä.

### TASAVIRTAMITTAUKSET

**HUOMIO:** Älä tee 20 A virtamittausta pitempään kuin 30 sekuntia. Jos 30 sekuntia ylitetään, se voi vahingoittaa mittaria ja/tai mittausjohtimia.

1. Aseta mustan mittausjohtimen banaaniiliitin negatiiviseen COM-liittimeen.
2. Yli 6000  $\mu$ A DC virran mittausta varten aseta toimintokytkin keltaiseen  $\mu$ A-asentoon ja aseta punaisen mittausjohtimen banaaniiliitin  $\mu$ A/mA-liittimeen.
3. Yli 600 mA DC virran mittausta varten aseta toimintokytkin keltaiseen mA-asentoon ja aseta punaisen mittausjohtimen banaaniiliitin  $\mu$ A/mA-liittimeen.
4. Yli 20 A DC virran mittausta varten aseta toimintokytkin keltaiseen 10 A/Hz/% -asentoon ja aseta punaisen mittausjohtimen banaaniiliitin 10 A-liittimeen.
5. Paina MODE-painiketta, jotta näytölle tulee "DC".
6. Katkaise virta testattavasta piiristä ja avaa sitten piiri kohdasta, josta haluat mitata virran.
7. Kosketa mustan mittausanturin kärjellä piirin negatiivista puolta. Kosketa punaisen mittausanturin kärjellä piirin positiivista puolta.
8. Kytke virta piiriin.
9. Lue virta näytöltä.

### AC-VIRRAN (TAAJUUS, TYÖSYKLI) MITTAUKSET

**HUOMIO:** Älä tee 20 A virtamittausta pitempään kuin 30 sekuntia. Jos 30 sekuntia ylitetään, se voi vahingoittaa mittaria ja/tai mittausjohtimia.

1. Aseta mustan mittausjohtimen banaaniiliitin negatiiviseen COM-liittimeen.
2. Yli 6000  $\mu$ A AC virran mittausta varten aseta toimintokytkin keltaiseen  $\mu$ A-asentoon ja aseta punaisen mittausjohtimen banaaniiliitin positiiviseen  $\mu$ A/mA-liittimeen.
3. Yli 600 mA AC virran mittausta varten aseta toimintokytkin keltaiseen mA-asentoon ja aseta punaisen mittausjohtimen banaaniiliitin  $\mu$ A/mA-liittimeen.
4. Yli 20 A AC virran mittausta varten aseta toimintokytkin keltaiseen 10 A/Hz/% -asentoon ja aseta punaisen mittausjohtimen banaaniiliitin 10 A-liittimeen.
5. Paina MODE-painiketta, jotta näytölle tulee "AC".

- Katkaise virta testattavasta piiristä ja avaa sitten piiri kohdasta, josta haluat mitata virran.
- Kosketa mustan mittaussanturin kärjellä piirin nollapuolta. Kosketa punaisen mittaussanturin kärjellä piirin "kuumaa" puolta.
- Kytke virta piiriin.
- Lue virta näytöltä.

## RESISTANSSIN MITTAUKSET

**VAROITUS:** Sähköiskun välttämiseksi katkaise virta testattavaan laitteeseen ja pura kaikki kondensaattorit ennen kuin teet resistanssimittauksia. Poista kaikki paristot ja irrota linjajohtimet.

- Aseta toimintokytkin vihreään  $\rightarrow \cdot \cdot \cdot \Omega$  CAP -asentoon. Aseta mustan mittausjohtimen banaaniliitin negatiiviseen COM-liittimeen. Aseta punainen mittausjohdin positiiviseen  $\Omega$ -liittimeen.
- Paina MODE-painiketta, jotta näytölle tulee "Ω".
- Kosketa mittaussanturin kärjellä testattavan piirin tai osan yli. On parasta irrottaa toinen puoli testattavasta osasta, jotta muu osa piiriä ei häiritse resistanssilukemaa.
- Lue resistanssi näytöltä.

## JATKUVUUSTARKASTUS

**VAROITUS:** Sähköiskun välttämiseksi älä koskaan mittaa jatkuvuutta tai piiriä tai johtimia, joissa on jännite.

- Käännä toimintokytkin vihreään  $\rightarrow \cdot \cdot \cdot \Omega$  CAP -asentoon.
- Aseta mustan mittausjohtimen banaaniliitin negatiiviseen COM-liittimeen. Aseta punainen mittausjohdin positiiviseen  $\Omega$ -liittimeen.
- Paina MODE-painiketta, jotta näytölle tulee "·" ja "Ω".
- Kosketa mittaussanturin kärjellä piiriä tai osaa, jonka haluat tarkastaa.
- Jos resistanssi on alle noin 50 Ω, kuuluu äänisignaali. Jos piiri on avoin, näytössä näkyy "OL".

## DIODITESTI

- Käännä toimintokytkin vihreään  $\rightarrow \cdot \cdot \cdot \Omega$  CAP -asentoon.
- Aseta mustan mittausjohtimen banaaniliitin negatiiviseen COM-liittimeen ja punaisen mittausjohtimen banaaniliitin positiiviseen V-liittimeen.
- Paina MODE-painiketta, jotta näytölle tulee  $\rightarrow$  ja V.
- Kosketa testiantureilla testattavaa diodia. Samansuuntainen jännite ilmaistaan tyypillisesti näytöllä 0,400–0,700 V. Vastakkainen jännite

ilmaistaan näytöllä "OL". Oikosuljetut laitteet näyttävät lukeman lähelle 0 V ja avoimen piirin laitteet näyttävät "OL" molemmissa napaisuuksissa.

## KAPASITANSSIN MITTAUKSET

**VAROITUS:** Sähköiskun välttämiseksi katkaise virta testattavaan laitteeseen ja pura kaikki kondensaattorit ennen kuin teet kapasitanssimittauksia. Poista kaikki paristot ja irrota linjajohtimet.

- Aseta kiertotoiminnon kytkin vihreään  $\rightarrow \cdot \cdot \cdot \Omega$  CAP -asentoon.
- Aseta mustan mittausjohtimen banaaniliitin negatiiviseen COM-liittimeen. Aseta punainen mittausjohdin positiiviseen V-liittimen banaaniliitäntään.
- Paina MODE-painiketta, jotta näytölle tulee "nF".
- Kosketa testattavaa kondensaattoria mittausjohtimilla.
- Testin aikana suurien kondensaattorien varautuminen voi kestää 3 minuuttia tai kauemmin. Ennen kuin lopetat testin odota, kunnes lukema vakaantuu.
- Lue kapasitanssiarvo näytöltä.

## 6. AUTOMAATTINEN/MANUAALINEN ALUEEN VALINTA

Kun mittari käynnistetään ensimmäisen kerran, se siirtyy automaattisen alueen valintatilaan. Tämä valitsee automaattisesti parhaan alueen suoritettavaa mittausta varten ja se on yleensä paras tila useimmille mittauksille. Jos mittaustilanne vaatii alueen manuaalista valintaa, toimi seuraavasti:

- Paine RANGE-näppäintä. Näytölle syttyy ilmaisin "AUTO".
- Paine RANGE-näppäintä askeltaaksesi läpi käytettävissä olevien alueiden, kunnes löydät haluamasi alueen.
- Poistu manuaalisesta alueen valintatilasta ja palaa automaattiseen alueen valintatilaan painamalla RANGE-näppäintä 2 sekuntia.

**Huomaa:** Manuaalinen alueen valinta ei koske kapasitanssin ja taajuuden mittaustoimintoja.

### MAX/MIN

**Huomaa:** Kun käytät MAX/MIN-toimintoa automaattisen alueen tilassa, mittari "lukkiutuu" alueelle, joka näkyy LCD:llä, kun MAX/MIN-toiminto aktivoidaan. Jos MAX/MIN-lukema ylittää alueen, näytölle tulee "OL". Valitse haluttu alue ENNEN kuin siirryt MAX/MIN-tilaan.

- Paina MAX/MIN-näppäintä aktivoiaksesi MAX/MIN-tallennustilan. Kuwake "MAX" tulee näytölle. Mittari näyttää ja pitää maksimilukemaa, ja päivittyy vain, kun uusi "max" ilmenee.

2. Paina MAX/MIN-näppäintä uudelleen, ja näyttökuvake "MIN" tulee näkyviin. Mittari näyttää ja pitää minimilukemaa, ja päivittyä vain, kun uusi "min" ilmenee.
3. Poistu MAX/MIN-tilasta painamalla MAX/MIN-näppäintä 2 sekuntia.

### NÄYTÖN TAUSTAVALO

Positiivinen näyttö ja taustavalo päälle, kun laite kytketään päälle.

### TIILA

Paina MODE-näppäintä valitaksesi kaksoismittaustoimintoja, jotka ovat käytettävissä näytöllä. Erityisesti tämä näppäin on aktiivinen **V • ➔ • CAP • Ω** -asennossa, jotta voidaan valita resistanssisti, dioditesti ja kapasitanssisti, sekä virta-asennossa, jotta voidaan valita AC- tai DC-virran mittausta.

### PITO/TASKULAMPPU


Pitotoiminto jäädyttää näytön lukeman. Paina HOLD-näppäintä lyhyesti aktivoiaksesi HOLD-toiminnon tai poistaaksesi sen käytöstä.

Paina HOLD-näppäintä > 1 sekunti kytkeäksesi taskulamputilan päälle tai pois päältä. Taskulamppu sammuu automaattisesti 5 minuutin toimettomuuden jälkeen.

### AUTOMAATTINEN VIRRANKATKAISU

Automaattinen virrankatkaisu sammuttaa mittarin 15 minuutin kuluttua. Poistaaksesi automaattisen virrankatkaisun käytöstä pidä MODE-näppäintä painettuna ja kytke mittari päälle.

### PARISTON LOPPUMISEN ILMAISIN

 -kuvake tulee näytön vasempaan alakulmaan, kun pariston jännite heikkenee. Vaihda paristo, kun se tulee näkyviin.

## 7. Huolto

**VAROITUS:** Sähköiskun välttämiseksi irrota mittausjohtimet kaikista jännitelähteistä ennen kuin avaat laitteen takakannen tai paristo- ja akkukotelon kannen.

**VAROITUS:** Sähköiskun välttämiseksi älä käytä mittaria enne kuin paristo- ja sulakeluukut ovat paikoillaan ja kiinnitettyinä tiukasti.

Tämä yleismittari on suunniteltu toimimaan luotettavasti useita vuosia, jos seuraavia hoito-ohjeita noudatetaan:

1. PIDÄ MITTARI KUIVANA. Jos se kastuu, pyyhi se kuivaksi.

## 2. KÄYTÄ JA SÄILYTÄ MITTARIA NORMAALEISSA LÄMPÖTILOISSA.

Ääriämpötilat voivat lyhentää elektronisten osien käyttöikää ja rikkoa tai sulattaa muoviosia.

3. KÄSITTELE MITTARIA VAROVASTI JA HUOLELLISESTI. Pudottaminen voi vaurioittaa elektronisia osia tai kuorta.

4. PIDÄ MITTARI PUHTAANA. Pyyhi kotelo toisinaan kostealla liinalla.

ÄLÄ käytä kemikaaleja, puhdistusliuottimia tai puhdistusnesteitä.

5. KÄYTÄ VAIN UUSIA, KOOLTAAN JA TYYPILTÄÄN SUOSITELTUJA PARISTOJA Poista vanhat tai tyhjentyneet paristot, jotta ne eivät vuoda ja vaurioita laitetta.

6. JOS MITTARIA SÄILYTETÄÄN PITKÄÄN, paristot on poistettava, jotta estetään laitteen vaurioituminen.

### PARISTON ASENNUS

**VAROITUS:** Sähköiskun välttämiseksi irrota mittausjohtimet kaikista jännitelähteistä ennen kuin avaat paristokotelon kannen.

1. Katkaise virta ja irrota mittausjohtimet mittarista.
2. Avaa takana oleva paristoluukku poistamalla ruuvi ristipäisellä (Philips) ruuvitaltalla.
3. Aseta paristo pariston pitimeen huomioiden oikean napaisuuden.
4. Aseta paristokansi takaisin paikoilleen. Kiinnitä ruuvilla.

**VAROITUS:** Sähköiskun välttämiseksi älä käytä mittaria ennen kuin paristokansi on paikoillaan ja kiinnitetty tiukasti.

**HUOMAA:** Jos mittarisi ei toimi oikein, niin tarkista sulakkeet ja paristot varmistaaksesi, että ne ovat kunnossa ja oikein paikoillaan.

### SULAKKEIDEN VAIHTAMINEN

**VAROITUS:** Sähköiskun välttämiseksi irrota mittausjohtimet kaikista jännitelähteistä ennen kuin avaat paristokotelon kannen.

1. Irrota mittausjohtimet mittarista.
2. Poista paristokansi.
3. Poista varovasti vanha sulake ja asenna uusi sulake pitimeen.
4. Käytä aina sulaketta, jonka koko ja arvot ovat oikeita (0,5 A/600 V nopea sulake 600 mA alueelle, 10 A/600 V nopea sulake 20 A alueelle).
5. Aseta takaisin ja kiinnitä takakansi, paristo ja paristokansi.

**VAROITUS:** Sähköiskun välttämiseksi älä käytä mittaria ennen kuin sulakeluukku on paikoillaan ja kiinnitetty tiukasti.

## 8. Tekniset tiedot

Toiminto	Alue	Tarkkuus	Tarkkuus
DC-jännite	400mV	0.1mV	±(1,0 % lukemasta + 5 numeroa)
	4V	0.001V	±(1,0 % lukemasta + 3 numeroa)
	40V	0.01V	
	400V	0.1V	
	600V	1V	
AC-jännite (50Hz to 60Hz)	4V	0.001V	±(1,2 % lukemasta + 3 numeroa)
	40V	0.01V	
	400V	0.1V	
	600V	1V	
Kaikki AC-jännitealueet on määritely 5 %:sta aluetta 100 %:iin aluetta			
DC-virta	400µA	0.1µA	±(1,0 % lukemasta + 3 numeroa)
	4000µA	1µA	
	40mA	0.01mA	
	400mA	0.1mA	±(1,2 % lukemasta + 3 numeroa)
	4A	0.001A	
	10A	0.01A	
(20 A: 30 sek maks. pienemmällä tarkkuudella)			
AC-virta (50Hz to 60Hz)	400µA	0.1µA	±(1,2 % lukemasta + 3 numeroa)
	4000µA	1µA	
	40mA	0.01mA	
	400mA	0.1mA	
	4A	0.001A	±(1,8 % lukemasta + 5 numeroa)
	10A	0.01A	
	(20 A: 30 sek maks. pienemmällä tarkkuudella)		
Kaikki AC-jännitealueet on määritely 5 %:sta aluetta 100 %:iin aluetta			


**HUOMAA:** Tarkkuus on ilmoitettu lämpötilassa 18 °C–28 °C (65 °F–83 °F) ja suhteellisessa kosteudessa alle 75 % RH.

Toiminto	Alue	Tarkkuus	Tarkkuus
Resistanssi	400Ω	0.1kΩ	±(1,5 % lukemasta + 5 numeroa)
	4kΩ	0.001kΩ	
	40kΩ	0.01kΩ	
	400kΩ	0.1kΩ	
	4MΩ	0.001MΩ	±(2,5 % lukemasta + 20 numeroa)
40MΩ	0.01MΩ		
Kapazitanssi	40nF	0.01nF	±(4,5%lukemasta + 10 numeroa)
	400nF	0.1nF	
	4µF	0.001µF	±(4,5 % lukemasta + 10 numeroa)
	40µF	0.01µF	
	400µF	0.1µF	
	4000µF	1µF	±(3,0 % lukemasta + 5 numeroa)
Taajuus (sähköinen)	10.00-10KHz	0.01Hz	±(1,2 % lukemasta)
	Herkkyyks: 15 Vrms		
Työsykli	0.1 to 99.9%	0.1%	±(1,2 % lukemasta + 2 numeroa)
	Pulssin leveys: 100 ms – 100 ms, Taajuus: 5 Hz–150 kHz		

**Huomaa:** Tarkkuusmäärittely koostuu kahdesta elementistä:

- (%-lukema) – Tämä on mittauspiirin tarkkuus.
- (+ numerot) – Tämä on analogia-digitaalimuuntimen tarkkuus.

**Kotelo** Kaksoisvalu  
**Iskunkesto (pudotustesti)** 2 metriä (6,5 jalkaa)  
**Dioditesti** Maksimi testivirta 1,5 mA, avoimenpiirin jännite 3 V DC tyypillinen  
**Jatkuvuustarkastus** Kuuluu äänisignaali, jos resistanssi on alle 50 Ω (noin), testivirta < 0,35 mA  
**Tuloimpedanssi** > 10 MΩ VDC ja > 10 MΩ VAC

<b>AC-vaste</b>	TRMS
<b>ACV-kaistanleveys</b>	50/60 HZ (KAIKKI AALTOUODOT) 45 Hz–1000 Hz (SINIAALTO)
<b>Harjakerroin</b>	≤3 täydellä asteikolla 300 V saakka, vähenee lineaarisesti ≤1,5 @ 600 V
<b>Näyttö</b>	4000 lukemaa
<b>Alueen ylityksen ilmaisin</b>	"OL" tulee näkyviin
<b>Automaattinen virrankatkaisu</b>	15 minuuttia (noin) käytöstä poiston ominaisuudella
<b>Napaisuus</b>	Automaattinen (ei positiivisen ilmaisua); miinusmerkki (-) negatiiviselle
<b>Mittausnopeus</b>	3 kertaa sekunnissa, nimellisarvo
<b>Pariston loppumisen ilmaisin</b>	"  " näytetään, jos pariston jännite laskee alle käyttäjännitteen
<b>ja hoitaminen</b>	1,5 V AAA * 2 paristoa
<b>Sulakkeet</b>	mA, µA alueet; 0,5 A 600 V keraaminen nopea A alue; 10 A/600 V keraaminen nopea
<b>Käyttölämpötila</b>	5 °C–40 °C (41 °F–104 °F)
<b>Säilytyslämpötila</b>	-20 °C–60 °C (-4 °F–140 °F)
<b>Käytön aikainen kosteus</b>	Maks. 80 %, 31 °C (87 °F) saakka, vähenee lineaarisesti 50 %:iin 40 °C:ssä (104 °F)
<b>Säilytyskosteus</b>	<80%
<b>Käyttökorkeus</b>	enintään 2000 m (7000 ft).
<b>Paino</b>	342 g (0,753 lb) (sis. kotelon).
<b>Koko</b>	(182 x 82 x 59 mm) (sisältää kotelon)
<b>Turvallisuus</b>	Mittari on tarkoitettu alkuperäiseen asennuskäyttöön ja se suojaaa käyttäjää kaksoiseristyksellä seuraavien standardien mukaisesti: EN61010-1 ja IEC61010-1 2. painos (2001), luokka III 600 V ja luokka II 1000 V; saastumisluokka 2. Mittari täyttää myös vaatimukset UL 61010-1, 2. painos (2004), CAN/CSA C22.2 nro 61010-1 2. painos (2004) ja UL 61010B-2-031, 1. painos (2003)

## 1. Inledning

Denna mätare mäter växel/likspänning, växel/likström, resistans, kapacitans, frekvens (elektrisk), diodtest och kontinuitet. Den har en vattenskyddad, tålig design för tuffa förhållanden. Med rätt användning och skötsel kommer denna mätare att ge många års pålitlig funktion.

### Säkerhet

Denna symbol intill en annan symbol, terminal eller apparat indikerar att användaren måste se efter i Användarinstruktionerna för att undvika personskada eller skada på mätaren.

#### WARNING

Symbolen WARNING anger en potentiellt riskfylld situation som, om den inte undviks, kan leda till dödsfall eller allvarlig personskada.

#### SE UPP

Denna SE UPP symbol anger en potentiellt riskfylld situation som, om den inte undviks, kan leda till skada på produkten.



Denna symbol råder användaren att de anslutningsplintar<sup>®</sup> som är markerade så, inte får anslutas till en krets som med hänsyn till jordningen överskrider (i detta fall) 600 VAC eller VDC.



Denna symbol tillsammans med ett eller flera uttag identifierar dem som associerade med områden som kan, vid normal användning, vara utsatta för särskilt riskfyllda spänningar. För maximal säkerhet ska mätaren och dess testledare inte hanteras när dessa uttag är spänningsförande.



Denna symbol indikerar att anordningen är skyddad genom dubbelisolering eller förstärkt isolering.

## 2. PER IEC1010 ÖVERSPÄNNING INSTALLATIONSKATEGORI ÖVERSPÄNNINGSKATEGORI I

Utrustning i ÖVERSPÄNNINGSKATEGORI I är utrustning för anslutning till kretsar i vilka åtgärder tagits för att begränsa tillfälliga överspänningar till en lämplig låg nivå.

Obs - Exempel inkluderar skyddade elektroniska kretsar.

### ÖVERSPÄNNINGSKATEGORI II

Utrustning i ÖVERSPÄNNINGSKATEGORI II är energiförbrukande utrustning som matas från en fast installation.

Obs - Exempel inkluderar hushåll, kontor och laboratorieapparater.

### ÖVERSPÄNNINGSKATEGORI III

Utrustning i ÖVERSPÄNNINGSKATEGORI III är utrustning i fasta installationer.

Obs - Exempel inkluderar omkopplare i fasta installationer och viss utrustning för industriell användning med permanent anslutning till den fasta installationen.

### ÖVERSPÄNNINGSKATEGORI IV

Utrustning i ÖVERSPÄNNINGSKATEGORI IV är för användning vid den ursprungliga installationen.

Obs - Exempel inkluderar elektriska mätare och primära överströmsskydd.

## 3. SÄKERHETSANVISNINGAR

Denna mätare har designats för säker användning men måste användas med försiktighet. Du måste noggrant läsa och följa föreskrifterna för säker användning.

3.1. Lägga **ALDRIG** på spänning eller ström som överskrider det som anges för mätaren:

Gränser för ingående skydd	
Funktion	Maximal ineffekt
VDC eller VAC	600V DC/AC rms
mA AC/DC	500mA 600V snabb säkring
A AC/DC	10A 600V snabb säkring
Frekvens, resistans, kapacitans, diodtest, kontinuitet	300V DC/AC rms
Skydd mot strömsprång: 6kV peak per IEC 61010	

3.2. **VAR YTTERST FÖRSIKTIG** vid arbete med höga spänningar.

3.3 Mät **INTE** spänning om spänningen på ingången "COM" överskrider 600V över extern jord.

3.4 Anslut **ALDRIG** mätarens ledare över en spänningskälla när funktionsväljaren är i läge ström, resistans eller diod. Att göra så kan skada mätaren.

3.5 Ladda **ALLTID** ur filterkondensatorer i nätaggregat och koppla från strömmen vid resistans- eller diodtester.

3.6 Stäng **ALLTID** av strömmen och koppla från testledningarna innan luckan öppnas för byte av batteri eller säkring.

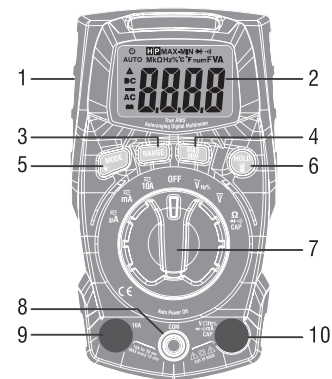
3.7 Använd **ALDRIG** mätaren om inte luckan till batteriet och säkringen är ordentligt på plats.

3.8 Om utrustningen används på ett sätt som inte anges av tillverkaren kan skyddet som utrustningen ger försämrats.

## 4. Reglage och uttag

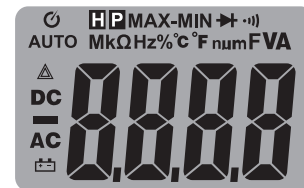
1. Batterilucka
2. 4 000 enheter LCD negativ display
3. Knapp för OMFÄNG
4. Max/Min knapp
5. Lägesknapp
6. Knapp för DATAHÅLLNING och ficklampa
7. Funktionsväljare
8. COM ingång
9. 10A ingångar
10. Positiv, mA,  $\mu$ A ingång

**Obs:** Stativfäste och batterifack finns på enhetens baksida.



## 5. Symboler och aktivitetsfältsikoner

- Automatisk avstängning
- Kontinuitet
- Diodtest
- Batteristatus
- n** nano (10<sup>-9</sup>) (kapacitans)
- $\mu$**  mikro (10<sup>-6</sup>) (amp, cap)
- m** milli (10<sup>-3</sup>) (volt, amp)
- A** Amp
- K** kilo (10<sup>3</sup>) (ohm)
- F** Farad (kapacitans)
- M** mega (10<sup>6</sup>) (ohm)
- $\Omega$**  Ohm
- Hz** Hertz (frekvens)
- V** Volt
- %** Procent (effektförhållande)
- AC** Växelström



- AUTO** Automatisk omfångsinställning
- DC** Likström
- HOLD** Displayhållning
- MAX** Maximum
- MIN** Minimum

## Bruksanvisning

**WARNING:** Risk för dödlig elektrisk ström. Högsäpänningskretsar, både AC och DC, är mycket farliga och ska mätas med yttersta försiktighet.

1. Vrid ALLTID funktionsväxlaren till läge OFF när mätaren inte används.
2. Om "OL" visas på displayen under en mätning överskrider värdet det omfång du har valt. Byt till ett högre omfång.

## LIKSPÄNNINGSMÄTNING

**SE UPP:** Mät inte likspänningar om en motor i kretsen slås PÅ eller AV. Större spänningssprång kan uppstå vilka kan skada mätaren.

1. Ställ in funktionsväljaren i läget grön VDC.
2. Sätt i den svarta testledningens kontakt i det negativa COM uttaget. Sätt i den röda testledningens kontakt i det positiva V uttaget.
3. Låt den svarta mätsondens spets nudda kretsens minussida. Låt den röda mätsondens spets nudda kretsens plussida.
4. Avläs spänningen på displayen.

## VÄXELSPÄNNINGSMÄTNING (FREKVENS, KAPACITETSFAKTOR)

**WARNING:** Risk för dödlig elektrisk ström. Sondens spets kan vid vissa tillfällen inte vara tillräckligt lång för att få kontakt med spänningsförande delar i 240V-uttag eftersom uttagets kontaktdelar är djupt infällda i uttagen. Av den anledningen kan avläsningen visa 0 volt när uttaget i verkligheten har spänning i sig. Försäkra dig om att sondens spets nuddar metallkontaktarna inuti uttaget innan du utgår från att det inte finns någon spänning.

**SE UPP:** Mät inte växelströmsspänningar om en motor i kretsen slås PÅ eller AV. Större spänningssprång kan uppstå vilka kan skada mätaren.

1. Ställ in funktionsväljaren i läget grön VAC/Hz/%.
2. Sätt i den svarta testledningens kontakt i det negativa COM uttaget. Sätt i den röda testledningens kontakt i det positiva V uttaget.
3. Låt den svarta mätsondens spets nudda kretsens nollside. Låt den röda mätsondens spets nudda kretsens spänningsförande sida.
4. Avläs spänningen på displayen.
5. Tryck på knapp HZ/% för att indikera "Hz".
6. Läs av frekvensen på displayen.
7. Tryck på knapp Hz/% en gång till för att indikera "%".
8. Läs av % för kapacitetsfaktorn på displayen.

## MÄTNING AV LIKSTRÖM

**SE UPP:** Utför inga strömmätningar på 20A skalan längre än 30 sekunder. Att överskrida 30 sekunder kan skada mätaren och/eller testledningarna.

1. Sätt i den svarta testledningens kontakt i det negativa COM uttaget.
2. För strömmätningar upp till 6000 $\mu$ A DC, ställ in funktionsväljaren till gula läget  $\mu$ A och sätt i den röda testledningens kontakt i  $\mu$ A/mA uttaget.
3. För strömmätningar upp till 600mA DC, ställ in funktionsväljaren till gula läget mA och sätt i den röda testledningens kontakt i  $\mu$ A/mA uttaget.
4. För strömmätningar upp till 20A DC, ställ in funktionsväljaren till gula läget 10A/HZ/% och sätt i den röda testledningens kontakt i 10A uttaget.
5. Tryck på knappen MODE för att indikera "DC" på displayen.
6. Avlägsna strömmen från kretsen under test, öppna därefter kretsen vid den punkt där du vill mäta ström.
7. Låt den svarta mätsondens spets nudda kretsens minussida. Låt den röda mätsondens spets nudda kretsens plussida.
8. Lägg på ström på kretsen.
9. Avläs strömmen på displayen.

## VÄXELSTRÖMSMÄTNING (FREKVENS, KAPACITETSFAKTOR)

**SE UPP:** Utför inga strömmätningar på 20A skalan längre än 30 sekunder. Att överskrida 30 sekunder kan skada mätaren och/eller testledningarna.

1. Sätt i den svarta testledningens kontakt i det negativa COM uttaget.
2. För strömmätningar upp till 6000 $\mu$ A AC, ställ in funktionsväljaren till gula läget  $\mu$ A och sätt i den röda testledningens kontakt i  $\mu$ A/mA uttaget.
3. För strömmätningar upp till 600mA AC, ställ in funktionsväljaren till gula läget mA och sätt i den röda testledningens kontakt i  $\mu$ A/mA uttaget.
4. För strömmätningar upp till 20A AC, ställ in funktionsväljaren till gula läget 10A/HZ/% och sätt i den röda testledningens kontakt i 10A uttaget.
5. Tryck på knappen MODE för att indikera "AC" på displayen.
6. Avlägsna strömmen från kretsen under test, öppna därefter kretsen vid den punkt där du vill mäta ström.
7. Låt den svarta mätsondens spets nudda kretsens nollside. Låt den röda mätsondens spets nudda kretsens spänningsförande sida.
8. Lägg på ström på kretsen.
9. Avläs strömmen på displayen.

## RESISTANSMÄTNING

**WARNING:** För att undvika elektriska stötar, koppla från strömmen till enheten under test och ladda ur alla kondensatorer innan motståndsmätningar utförs. Ta ut batterierna och koppla ur ledningarna.

1. Ställ in funktionsväljaren i läget grön  $\rightarrow \Omega$  CAP. Sätt i den svarta testledningens kontakt i det negativa COM uttaget. Sätt i den röda testledningens kontakt i det positiva  $\Omega$  uttaget.
2. Tryck på knappen MODE för att indikera " $\Omega$ " på displayen.
3. För testsondens spetsar över kretsen eller delen under test. Det är bättre att koppla från delens ena sida under test så att resten av kretsen inte blir störd av resistansavläsningen.
4. Avläs resistansen på displayen.

## KONTINUITETSKONTROLL

**WARNING:** För att undvika elektriska stötar, mät aldrig kontinuitet i kretsar eller ledningar som är spänningsförande.

1. Ställ in funktionsväljaren i läget grön  $\rightarrow \Omega$  CAP.
2. Sätt i den svarta testledningens kontakt i det negativa COM uttaget. Sätt i den röda testledningens kontakt i det positiva  $\Omega$  uttaget.
3. Tryck på knappen MODE för att indikera " $\rightarrow$ " och " $\Omega$ " på displayen.
4. Vidrör kretsen eller ledningen som du vill kontrollera med testsondens spetsar.
5. Ljudsignal hörs om resistansen är lägre än ungefär 50 $\Omega$ . Om kretsen är öppen visar displayen "OL".

## DIODTEST

1. Ställ in funktionsväljaren i läget grön  $\rightarrow \Omega$  CAP.
2. Sätt i den svarta testledningens kontakt i det negativa COM uttaget och den röda testledningens kontakt i det positiva V-uttaget.
3. Tryck på knappen MODE för att indikera  $\rightarrow$  och V på displayen.
4. Nudda dioden med testsonderna under test. Framspänning indikerar typiskt 0,400 till 0,700V. Backspänning indikerar "OL". Kortslutna apparater indikerar nära 0V och öppna apparater indikerar "OL" i båda polariteterna.

## KAPACITANSMÄTNING

**WARNING:** För att undvika elektriska stötar, koppla från strömmen till enheten under test och ladda ur alla kondensatorer innan kapacitansmätningar utförs. Ta ut batterierna och koppla ur ledningarna.

1. Ställ in den roterande funktionsväljaren i läget grön  $\rightarrow \Omega$  CAP.
2. Sätt i den svarta testledningens kontakt i det negativa COM uttaget. Sätt i den röda testledningens kontakt i det positiva V uttaget.
3. Tryck på knappen MODE för att indikera "nC" på displayen.
4. Nudda den kondensator som ska testas med testledningarna.
5. Testet kan ta upp till 3 minuter eller längre för stora kondensatorer att ladda. Vänta till avläsningarna är stadiga innan testet avslutas.
6. Avläs kapacitansvärdet på displayen.

## 6. AUTOMATISK/MANUELL INSTÄLLNING AV OMFÅNG

När mätaren slås på första gången går den automatiskt till Automatisk inställning av omfång. Detta väljer automatiskt det bästa omfånget för mätningen som ska utföras och är i allmänhet det bästa läget för mätningar. För mätningstillfällen som kräver att omfånget väljs manuellt, utför följande:

1. Tryck på tangenten **RANGE**. Displayindikatorn "AUTO" slocknar.
2. Tryck på tangenten **RANGE** för att bläddra igenom tillgängliga omfång tills du väljer det omfång du vill ha.
3. För att gå ur läget Manuell inställning av omfång och gå tillbaka till Automatisk inställning av omfång, tryck och håll in tangent **RANGE** i 2 sekunder.

**Obs:** Manuell inställning av omfång gäller inte för funktionerna Kapacitans och Frekvens.

### MAX/MIN

**Obs:** Vid användning av funktionen MAX/MIN i läge Automatisk inställning av omfång "**läser**" mätaren i det omfång som visas på LCD när MAX/MIN är aktiverat. Om en MAX/MIN-avläsning överskrider detta omfång visas "OL". Välj önskat omfång INNAN du går till läge MAX/MIN.

1. Tryck på tangenten MAX/MIN för att aktivera läget MAX/MIN registrering. Skärmikonen "MAX" kommer fram. Mätaren visar och lagrar den maximala avläsningen och uppdaterar endast då ett nytt "max" uppstår.
2. Tryck återigen på tangent MAX/MIN och skärmikonen "MIN" kommer fram. Mätaren visar och lagrar den minimala avläsningen och uppdaterar endast då ett nytt "min" uppstår.
3. För att gå ur läge MAX/MIN, tryck och håll in tangent MAX/MIN i 2 sekunder.

## DISPLAY BAKGRUNDSBELYSNING

Positiv Display och Bakgrundsbelysning slås på när enheten sätts på

## LÄGE

Genom att trycka på tangenten MODE blir val av dubbla mätfunktioner som finns på displayen möjliga. Denna tangent är i synnerhet aktiv i läge **V** • **→** • **CAP** • **Ω** för att välja mellan resistanstest, diodtest, kontinuitetstest och kapacitanstest samt i läge ström för att välja mellan växel- eller likströmsmätningar.

## HÅLL/FICKLAMPAN


Funktionen Håll fryser avläsningen på displayen. Tryck kort på tangenten HOLD för att aktivera eller gå ur funktionen LAGRA.

Tryck på tangent HOLD i >1 sekund för att sätta på eller stänga av FICKLAMPAN. Ficklampa tänds och stängs automatiskt av efter 5 minuters inaktivitet.

## AUTOMATISK AVTÄNGNING

Egenskapen automatisk avstängning stänger av mätaren efter 15 minuter. För att avaktivera egenskapen automatisk avstängning, håll ned knappen MODE och sätt på mätaren.

## INDIKATOR FÖR LÅGT BATTERI

Ikonen  kommer fram i det nedre vänstra hörnet på displayen när batterispänningen blir låg. Byt batteriet när denna visas.

## 7. Underhåll

**WARNING:** För att undvika elektriska stötar, koppla från testledningarna från alla spänningskällor innan säkrings- eller batteriluckan öppnas.

**WARNING:** För att undvika elektriska stötar, använd inte mätaren innan batteri- och säkringsluckan är på plats och ordentligt fastsatt.

Denna Multimeter är designad att ge många års pålitlig funktion, om följande skötselinstruktioner utförs:

1. HÅLL MÄTAREN TORR. Om den blir våt, torka av den.
2. ANVÄND OCH FÖRVARA MÄTAREN VID NORMALA TEMPERATURER. Extrema temperaturer kan förkorta livslängden för elektroniska komponenter och deformera eller smälta plastdelar.
3. HANTERA MÄTAREN VARSAMT OCH FÖRSIKTIGT. Att tappa den kan skada elektroniska delar eller höljet.
4. HÅLL MÄTAREN REN. Torka av höljet då och då med en fuktig trasa.

Använd INTE kemikalier, lösningsmedel eller rengöringsmedel.

5. ANVÄND ENBART FÄRSKA BATTERIER AV REKOMMENDERAD STORLEK OCH TYP. Avlägsna gamla eller svaga batterier så att de inte läcker och skadar enheten.
6. OM MÄTAREN SKA FÖRVARAS UNDER EN LÄNGRE TIDSPERIOD ska batterierna avlägsnas för att förebygga skador på enheten.

## ISÄTTNING AV BATTERI

**WARNING:** För att undvika elektrisk stötar, koppla från testledningarna från alla spänningskällor innan batteriluckan öppnas.

1. Stäng av strömmen och koppla från testledningarna från mätaren.
2. Öppna batteriluckan genom att lossa på skruven med hjälp av en kryssmejsel.
3. Sätt i batteriet i batterifacket, var uppmärksam på rätt polaritet.
4. Sätt tillbaka batteriluckan. Skruva fast skruven.

**WARNING:** För att undvika elektriska stötar, använd inte mätaren innan batteriluckan är på plats och ordentligt fastsatt.

**OBS:** Om din mätare inte fungerar korrekt, kontrollera att säkringarna och batterierna är i gott skick och att de sitter på rätt sätt.

## BYTE AV SÄKRINGAR

**WARNING:** För att undvika elektrisk stötar, koppla från testledningarna från alla spänningskällor innan säkringsluckan öppnas.

1. Koppla från testledarna från mätaren.
2. Ta bort batteriluckan.
3. Ta försiktigt bort den gamla säkringen och sätt i en ny säkring i hållaren.
4. Använd alltid en säkring med rätt storlek och värde (0,5 A/600 V snabb för 600 mA omfång, 10 A/600 V snabb för 20 A omfång).
5. Sätt tillbaka den bakre luckan, batteriet och batteriluckan.

**WARNING:** För att undvika elektriska stötar, använd inte mätaren innan säkringsluckan är på plats och ordentligt fastsatt.

## 8. Tekniska data


Funktion	Omfång	Upplösning	Noggrannhet
Likspänning	400mV	0.1mV	±(1,0% avläsning + 5 siffror)
	4V	0.001V	±(1,0% avläsning + 3 siffror)
	40V	0.01V	
	400V	0.1V	
	600V	1V	
	4V	0.001V	
Växelspänning (50Hz till 60Hz)	40V	0.01V	±(1,2% avläsning + 3 siffror)
	400V	0.1V	
	600V	1V	
Alla omfång för växelspänning är specificerade från 5% i ett omfång till 100%			
Likström	400µA	0.1µA	±(1,0% avläsning + 3 siffror)
	4000µA	1µA	
	40mA	0.01mA	
	400mA	0.1mA	±(1,2% avläsning + 3 siffror)
	4A	0.001A	
	10A	0.01A	
	(20A: 30 sek max med reducerad noggrannhet)		
Växelström (50Hz till 60Hz)	400µA	0.1µA	±(1,2% avläsning + 3 siffror)
	4000µA	1µA	
	40mA	0.01mA	
	400mA	0.1mA	
	4A	0.001A	±(1,8% avläsning + 5 siffror)
	10A	0.01A	
	(20A: 30 sek max med reducerad noggrannhet)		
Alla omfång för växelspänning är specificerade från 5% i ett omfång till 100%			

**OBS:** Noggrannheten anges vid 65°F till 83°F (18°C till 28°C) och lägre än 75% RH.

Funktion	Omfång	Upplösning	Noggrannhet
Motstånd	400Ω	0.1kΩ	±(1,5% avläsning + 5 siffror)
	4kΩ	0.001kΩ	
	40kΩ	0.01kΩ	
	400kΩ	0.1kΩ	
	4MΩ	0.001MΩ	
		40MΩ	0.01MΩ
Kapacitans	40nF	0.01nF	±(4,5% avläsning + 10 siffror)
	400nF	0.1nF	
	4µF	0.001µF	±(3,0% avläsning + 5 siffror)
	40µF	0.01µF	
	400µF	0.1µF	
		4000µF	1µF
Frekvens (elektrisk)	10.00-10KHz	0.01Hz	±(1,2% avläsning)
	Känslighet: 15Vrms		
Kapacitetsfaktor	0.1 to 99.9%	0.1%	±(1,2% avläsning + 2 siffror)
	Pulsbredd: 100µs - 100ms, Frekvens: 5Hz till 150kHz		

**OBS:** Specifikationer för noggrannhet består av två element:

- (% avläsning) – Detta är noggrannheten för mätkretsen.
- (+ siffror) – Detta är noggrannheten för analog-digitalomvandlare.

<b>Höjje</b>	Dubbelgjutet
<b>Stöt (fallprov)</b>	6,5 fot (2 meter)
<b>Diodtest</b>	Testström på 1,5 mA maximalt, öppen krets spänning 3V DC typiskt
<b>Kontinuitetskontroll</b>	Ljudsignal hörs om resistansen är lägre än ungefär 50Ω, testström <0,35mA
<b>Ingångsimpedans</b>	> 10 MΩ VDC & > 10 MΩ VAC
<b>AC Respons</b>	TRMS
<b>ACV Bandbredd</b>	50/60 HZ (ALLA VÄGOR) 45Hz till 1000 Hz (SINUSVÄG)
<b>Toppfaktor</b>	≤3 vid full skala upp till 300V, avtar linjärt till ≤1,5 vid 600V
<b>Display</b>	4 000 enheter positiv display
<b>Indikation för utanför omfång</b>	"OL" visas
<b>Automatisk avstängning</b>	15 minuter (ungefär) med avaktiverad egenskap
<b>Polaritet</b>	Automatisk (ingen indikation för positiv); Minus (-) tecken för negativ
<b>Måthastighet</b>	3 gånger per sekund, nominellt
<b>Indikator för lågt batteri</b>	"  " visas om batterispänningen faller under driftspänning
<b>Batteri</b>	1,5V AAA * 2 batterier
<b>Säkringar</b>	mA, µA omfång; 0,5 A 600 V keramisk snabb A omfång; 10 A/600 V keramisk snabb
<b>Arbetstemperatur</b>	41 °F till 104 °F (5 °C till 40 °C)
<b>Förvaringstemperatur</b>	-4 °F till 140 °F (-20 °C till 60 °C)
<b>Relativ luftfuktighet</b>	Max 80% upp till 87°F (31 °C) avtar linjärt till 50% vid 104°F (40 °C)
<b>Luftfuktighet vid förvaring</b>	<80%
<b>Arbets höjd över havet</b>	7000 ft. (2 000 meters) maximalt.
<b>Vikt</b>	0,753lb (342g) (inklusive fodral).
<b>Storlek</b>	(182 x 82 x 59mm) (inklusive fodral)
<b>Säkerhet</b>	Denna mätare är avsedd för användning i installationer och skyddad, för användare, genom dubbelisolering per EN61010-1 och IEC61010-1 andra utgåvan (2001) till kategori III 600V och kategori II 1000V; föroreningsgrad 2. Denna mätare motsvarar även UL 61010-1, andra utgåvan (2004), CAN/CSA C22.2 Nr. 61010-1 andra utgåvan (2004), och UL 61010B-2-031, första utgåvan (2003)

## 1. Innledning

Denne måleren måler AC/DC-spenning, AC/DC-strøm, motstand, kapasitans, frekvens (elektrisk), diodetest og kontinuitet. Den har en vanntett, robust design for tøff bruk. Korrekt bruk og vedlikehold av dette måleinstrumentet vil sørge for pålitelig måling over mange år.

### Sikkerhet

Dette symbolet ved siden av et annet symbol, terminal eller betjeningsenhet viser at operatøren må referere til en forklaring i bruksanvisningen for å unngå personskade eller skade på måleren.

### ADVARSEL

Dette ADVARSEL-symbolet viser en potensielt farlig situasjon som, hvis den ikke unngås, kan resultere i død eller alvorlig skade.

### FORSIKTIG

Dette ADVARSEL-symbolet viser en potensiell farlig situasjon som, hvis den ikke unngås, kan resultere i skade på produktet.



Dette symbolet råder brukeren til at den merkede terminalen<sup>®</sup> ikke må kobles til et krets punkt der spenningen i forhold til jording overskrider (i dette tilfellet) 600 V AC eller V DC.



Dette symbolet ved siden av en eller flere terminaler identifiserer dem som tilknyttet områder som ved normal bruk kan bli utsatt for spesielt farlige spenninger. For maksimal sikkerhet skal ikke måleren og dens testledninger håndteres når disse terminalene er strømførende.



Dette symbolet viser at en enhet er gjennomgående beskyttet med dobbel isolasjon eller forsterket isolasjon.

## 2. PER IEC 1010 INSTALLASJONSKATEGORI FOR OVERSPENNING

### OVERSPENNINGSKATEGORI I

Utstyr i OVERSPENNINGSKATEGORI I er utstyr for tilkobling til kretser der det iverksettes tiltak for å begrense de forbigående overspenningene til et passende lavt nivå.

Merk - Eksempler er beskyttede elektroniske kretser.

### OVERSPENNINGSKATEGORI II

Utstyr i OVERSPENNINGSKATEGORI II er energikrevende utstyr som skal leveres fra den faste installasjonen.

Merk - Eksempler er husholdnings-, kontor- og laboratorieutstyr.

### OVERSPENNINGSKATEGORI III

Utstyr i OVERSPENNINGSKATEGORI III er utstyr i faste installasjoner. Merk - Eksempler er brytere i den faste installasjonen og noe utstyr for bruk i industrien med permanent kobling til den faste installasjonen.

### OVERSPENNINGSKATEGORI IV

Utstyr i OVERSPENNINGSKATEGORI IV er til bruk ved installasjonens opprinnelse. Merk - Eksempler inkluderer strømmålere og primært verneutstyr for overstrøm.

## 3. SIKKERHETSINSTRUKSJONER

Denne måleren har blitt designet for trygg bruk, men må brukes med forsiktighet. Reglene som er listet opp nedenfor må følges nøye for trygg betjening.

3.1. Tilfør **ALDRI** måleren spenning eller strøm som overskrider angitt maksimum:

Grenser for inngangsbeskyttelse	
Funksjon	Maksimum inngangsstrøm
V DC eller V AC	600 V DC/AC rms
mA AC/DC	500mA 600 V hurtigsikring
A AC/DC	10 A 600 V hurtigsikring
Frekvens, resistans, kapasitans, diodetest, kontinuitet	300 V DC/AC rms
Vern for spenningstopper: 6 kV topp per IEC 61010	

3.2. **UTVIS EKSTREM FORSIKTIGHET** når du jobber med høye spenninger.

3.3. Du **MÅ IKKE** måle spenning hvis spenningen i "COM"-inngangen overskrider 600 V over jording.

3.4. Du må **ALDRI** koble målerledningene over en spenningskilde mens funksjonsbryteren er i strøm-, motstands- eller diodemodus. Dette kan skade måleren.

3.5. Ta **ALLTID** ut filterkondensatorer i strømforsyninger og koble fra strømmen når du utfører motstands- eller diodetester.

3.6. Du må **ALLTID** slå av strømmen og koble fra testledningene før du åpner dekslene for å bytte sikring eller batterier.

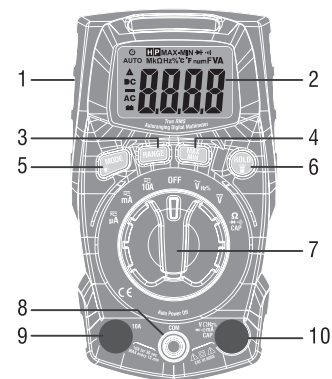
3.7. Du **MÅ ALDRI** bruke måleren hvis ikke bakdekselet og batteri- og sikringsdekslene er festet skikkelig på plass.

3.8. Hvis utstyret brukes på en måte som ikke er angitt av produsenten, kan beskyttelsen som utstyret gir bli svekket.

## 4. Kontroller og porter

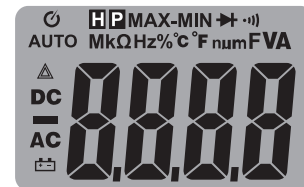
1. Batterideksel
2. 4 000 tellere LCD negativ skjerm
3. Områdeknapp
4. MAKS/MIN-knapp
5. Modusknapp
6. HOLD- og lommelykt-knapp
7. Funksjonsbryter
8. COM-inngang
9. 10A-innganger
10. Positive, mA, µA-inngang

**Merk:** Vippestativ og batterikammer er på baksiden av enheten.



## 5. Symboler og forklaringer

- Automatisk strøm på
- Kontinuitet
- Diodetest
- Batteristatus
- nano (10-9) (kapasitans)
- mikro (10-6) (ampere, hette)
- milli (10-3) (volt, ampere)
- Ampere
- kilo (103) (ohm)
- Farad (kapasitans)
- mega (106) (ohm)
- Ohm
- Hertz (frekvens)
- Volt
- Prosent (bruksforhold)
- Vekselstrøm



- AUTO** Autoområde
- DC** Likestrøm
- HOLD** Skjerm hold
- MAX** Maksimum
- MIN** Minimum

## Bruksanvisning

**ADVARSEL:** Risiko for elektrisk støt. Høyspentkretser, både AC og DC, er veldig farlige og bør måles med omhu.

1. Drei ALLTID funksjonsbryteren til AV-posisjon når måleren ikke er i bruk.
2. Hvis «OL» vises på skjermen under en måling, overstiger verdien det valgte området. Skift til et høyere område.

## DC SPENNINGSMÅLINGER

**FORSIKTIG:** Du må ikke måle DC spenninger hvis en motor på kretsen skrur PÅ eller AV. Store spenningsøkninger kan oppstå som kan skade måleren.

1. Still funksjonsbryteren til den grønne V DC-posisjonen.
2. Sett inn den sorte bananpluggen på testledningen i den negative COM-porten. Sett inn den røde bananpluggen på testledningen i den positive V-porten.
3. Berør den sorte spissen på testsonden til den negative siden av kretsen. Berør den røde spissen på testsonden til den positive siden av kretsen.
4. Les av spenningen på skjermen.

## AC SPENNING (FREKVENS, ARBEIDSSYKLUS) MÅLINGER

**ADVARSEL:** Risiko for Elektrisk støt. Sondespissene er kanskje ikke lange nok til å komme i kontakt med strømførende deler i noen 240 V uttak for apparater, fordi kontaktene er innfelt dypt i uttakene. Som følge, kan avlesningen vise 0 volt selv om utgangen faktisk har volt i seg. Forsikre deg om at sondespissene berører metallkontaktene inni stikkkontakten før du antar at det ikke er noen spenning.

**FORSIKTIG:** Du må ikke måle AC spenninger hvis en motor på kretsen skrur PÅ eller AV. Store spenningsøkninger kan oppstå som kan skade måleren.

1. Still funksjonsbryteren til den grønne V AC/Hz/%-posisjonen.
2. Sett inn den sorte bananpluggen på testledningen i den negative COM-porten. Sett inn rød bananplugg på testledningen i den positive V-porten.
3. Berør den sorte spissen på testsonden til den nøytrale siden av kretsen. Berør den røde spissen på testsonden til den «strømførende» siden av kretsen.
4. Les av spenningen på skjermen.
5. Trykk på Hz/%-knappen for å vise «Hz».

6. Les av frekvensen på skjermen.
7. Trykk på Hz/%-knappen for å vise «%».
8. Avles % arbeidssyklus på skjermen.

## DC STRØMMÅLINGER

**FORSIKTIG:** Du må ikke utføre strømmålinger på 20A-skalaen i lengre enn 30 sekunder. Å overstige 30 sekunder kan forårsake skade på måleren og/eller testledningen.

1. Sett inn den sorte bananpluggen på testledningen i den negative COM-porten.
2. For strømmålinger opp til 6000  $\mu$ A DC, må du stille funksjonsbryteren til den gule  $\mu$ A-posisjonen og sette den røde bananpluggen inn i  $\mu$ A/mA-porten.
3. For strømmålinger opp til 600mA DC, må du stille funksjonsbryteren til den gule mA-posisjonen og sette den røde bananpluggen på testledningen inn i  $\mu$ A/mA-porten.
4. For strømmålinger opp til 20 A DC, må du stille funksjonsbryteren til den gule 10A/Hz/%-posisjonen og sette den røde bananpluggen på testledningen inn i 10A-porten.
5. Trykk på MODE (modus)-knappen for å vise «DC» på skjermen.
6. Fjern strømmen fra kretsen som testes, og åpne deretter kretsen på det punktet der du vil måle strøm.
7. Berør den sorte spissen på testsonden til den negative siden av kretsen. Berør den røde spissen på testsonden til den positive siden av kretsen.
8. Tilfør strøm til kretsen.
9. Les av strøm på skjermen.

## AC STRØM (FREKVENS, ARBEIDSSYKLUS) MÅLINGER

**FORSIKTIG:** Du må ikke utføre strømmålinger på 20A-skalaen i lengre enn 30 sekunder. Å overstige 30 sekunder kan forårsake skade på måleren og/eller testledningen.

1. Sett inn den sorte bananpluggen på testledningen i den negative COM-porten.
2. For strømmålinger opp til 6000  $\mu$ A AC, må du stille funksjonsbryteren til den gule  $\mu$ A-posisjonen og sette den røde bananpluggen inn i  $\mu$ A/mA-porten.
3. For strømmålinger opp til 600mA AC, må du stille funksjonsbryteren til den gule mA-posisjonen og sette den røde bananpluggen på testledningen inn i  $\mu$ A/mA-porten.

4. For strømmålinger opp til 20A AC, må du stille funksjonsbryteren til den gule 10A/Hz/%-posisjonen og sette den røde bananpluggen inn i 10A-porten.
5. Trykk på MODE-knappen for å vise «AC» på skjermen.
6. Fjern strømmen fra kretsen som testes, og åpne deretter kretsen på det punktet der du vil måle strøm.
7. Berør den sorte spissen på testsonden til den nøytrale siden av kretsen. Berør den røde spissen på testsonden til den «strømførende» siden av kretsen.
8. Tilfør strøm til kretsen.
9. Les av strøm på skjermen.

### MOTSTANDSMÅLINGER

**ADVARSEL:** For å unngå elektrisk støt, må du koble fra strømmen til enheten som testes og lade ut alle kondensatorene før du tar noen motstandsmålinger. Fjern batteriene og dra ut linjeledningen.

1. Still funksjonsbryteren til den grønne **→ ··) Ω CAP** posisjonen. Sett inn den sorte bananpluggen på testledningen i den negative COM-porten. Sett inn den røde bananpluggen på testledningen i den positive Ω porten.
2. Trykk på MODE-knappen for å vise «Ω» på skjermen.
3. Berør spissene på testsondene over kretsen eller delen som testes. Det er best å koble fra den ene siden av delen som testes, slik at resten av kretsen ikke forstyrrer motstandsavlesningen.
4. Les av motstand på skjermen.

### KONTINUITETSKONTROLL

**ADVARSEL:** For å unngå elektrisk støt må du aldri måle kontinuitet på kretser eller ledninger som er strømførende.

1. Still funksjonsbryteren til den grønne **→ ··) Ω CAP** posisjonen.
2. Sett inn den sorte bananpluggen på ledningen i den negative COM-porten. Sett inn den røde bananpluggen på testledningen i den positive Ω porten.
3. Trykk på MODE-knappen for å vise «··)» og «Ω» på skjermen. Berør spissene på testsondene til kretsen eller ledningen du ønsker å teste.
5. Hvis motstanden er mindre enn omtrent 50Ω, høres det hørbare signalet. Hvis kretsen er åpen, vil skjermen vise «OL».

### DIODETEST

1. Still funksjonsbryteren til den grønne **→ ··) Ω CAP** posisjonen.
2. Sett den sorte bananpluggen på testledningen inn i den negative COM-porten, og den røde bananpluggen på testledningen inn i den positive V-porten.
3. Trykk på MODE-knappen for å vise **→** og V på skjermen.
4. Berør spissene på testsondene til dioden som testes. Fremdriftsspennning vil typisk vise 0,400 til 0,700 V. Reversspennning vil vise «OL». Kortsluttede enheter vil vise nær 0 V og en åpen enhet vil vise "OL" i begge polaritetene.

### KAPASITANSMÅLINGER

**ADVARSEL:** For å unngå elektrisk støt, må du koble fra strømmen til enheten som testes og lade ut alle kondensatorene før du tar noen kapasitansmålinger. Fjern batteriene og dra ut linjeledningen.

1. Still rotasjonsbryteren til den grønne **→ ··) Ω CAP** posisjonen.
2. Sett inn den sorte bananpluggen på testledningen i den negative COM-porten. Sett inn den røde bananpluggen på testledningen i den positive V-porten.
3. Trykk på MODE-knappen for å vise «nF» på skjermen.
4. Berør testledningene til kondensatoren som skal testes.
5. Testen kan ta opp til 3 minutter eller mer før store kondensatorer lades. Vent til målingene blir avgjort før du avslutter testen.
6. Les av kapasitansverdien på skjermen.

### 6. AUTOOMRÅDE / MANUELT VALG AV OMRÅDE

Når måleren først er slått på, vil det automatisk gå til autoområde. Dette velger automatisk det beste området for målingene som utføres, og er vanligvis den beste modusen for de fleste målinger. For målesituasjoner som krever at et område velges manuelt, gjør følgende:

1. Trykk på **RANGE**(område)-knappen. «**AUTO**»-indikatoren slås av.
2. Trykk på **RANGE**-knappen for å gå gjennom de tilgjengelige områdene til du velger ønsket område.
3. For å gå ut av manuell område-modus og gå tilbake til autoområde, trykk og hold **RANGE**-knappen i 2 sekunder.

**Merk:** Manuelt valg av område gjelder ikke for kapasitans- og frekvensfunksjoner.

## MAKS/MIN

**Merk:** Når du bruker MAKS/MIN-funksjonen i Autorområde-modus, vil måleren "låse" seg i området som vises på LCD-skjermen når MAKS/MIN er aktivert. Hvis en MAKS/Min-avlesning overskrider dette området, vises en «OL». Velg ønsket område FØR du går til MAKS/MIN-modus.

1. Trykk MAKS/MIN-knappen for å aktivere MAKS/MIN opptaksmodus. Skjermikonet «MAKS» vises. Måleren viser og holder maksimal avlesning og oppdateres kun når et nytt «maks» oppstår.
2. Trykk på MAKS/MIN-knappen igjen, og skjermikonet "MIN" vises. Måleren viser og holder minimumsavlesning og oppdateres kun når et nytt «min» oppstår.
3. For å avslutte MAKS/MIN-modus, trykk og hold inne MAKS/MIN-knappen i 2 sekunder.

## SKJERM FOR BAKGRUNNSBELYSNING

Positiv skjerm og bakgrunnsbelysning på når enheten er slått på

## MODUS

Trykk på MODE-knappen, det er mulig å velge de dobbeltmålte funksjoner som vises på skjermen. Denne nøkkelen er spesielt aktiv i **V • ➔ • CAP • Ω** posisjon for å velge mellom motstandstest, diodetest, kontinuitetstest og kapasitansetest, og i gjeldende posisjon for å velge mellom AC- eller DC strømmålinger.


## HOLD/LOMMELYKT-LYS

Hold-funksjonen fryser avlesningen på skjermen. Trykk på HOLD-knappen en stund for å aktivere eller for avslutte HOLD-funksjonen. Trykk HOLD-knappen i >1 sekund for å slå på eller av LOMMELYKT-funksjonen. Lommelykten slår seg automatisk AV etter 5 minutter inaktivitet.

## AUTOMATISK AVSTENGING AV STRØM

Funksjonen for automatisk avstenging skrur av måleren etter 15 minutter. For å deaktivere funksjonen for automatisk avstenging, hold nede MODUS-knappen og slå på måleren.

## INDIKASJON PÅ LAVT BATTERINIVÅ

Ikonet  vises i nedre vestre hjørne av skjermen når batterispenningen blir for lav. Bytt ut batteriet når dette dukker opp.

## 7. Vedlikehold

**ADVARSEL:** For å unngå elektrisk støt, må du koble testledningene fra alle spenningskilder før du fjerner bakdekselet, batteri- eller sikringsdekselet.

**ADVARSEL:** For å unngå elektrisk støt, må du ikke bruke måleren før batteri- og sikringsdekslene sitter på plass og er skikkelig festet.

Dette multimeteret er designet for å gi mange års pålitelig service hvis følgende vedlikeholdsinstruksjoner blir utført:

1. HOLD MULTIMETERET TØRT. Tørk av det hvis det blir vått.
2. BRUK OG OPPBEVAR MULTIMETERET I NORMALE TEMPERATURER. Ekstreme temperaturer kan forkorte levetiden til de elektroniske delene, og forvri eller smelte plastdeler.
3. HÅNDTER MULTIMETERET LETT OG FORSIKTIG. Å slippe det kan skade de elektroniske delene eller dekslet.
4. HOLD MULTIMETERET RENT. Tørk etuiet innimellom med en fuktig klut. DU MÅ IKKE bruke kjemikalier, rengjøringsmidler eller vaskemidler.
5. BRUK KUN NYE BATTERIER AV ANBEFALT STØRRELSE OG TYPE. Fjern gamle eller svake batterier så de ikke lekker og ødelegger enheten.
6. HVIS MULTIMETERET SKAL OPPBEVARES FOR EN LENGRE PERIODE bør batteriene fjernes for å unngå skade på enheten.

## INSTALLASJON AV BATTERI

**ADVARSEL:** For å unngå elektrisk støt, må du koble testledningene fra alle spenningskilder før du fjerner batteridekselet.

1. Slå av strømmen og koble testledningene fra måleren.
2. Åpne batteridekselet på baksiden ved å løsne skruen ved hjelp av en stjerneskrutrekker.
3. Sett inn batteriet i batteriholderen, vær oppmerksom på riktig polaritet.
4. Sett batteridekselet tilbake på plass. Sikre med en skrue.

**ADVARSEL:** For å unngå elektrisk støt, må du ikke bruke måleren før batteridekselet sitter på plass og er skikkelig festet.

**MERK:** Hvis måleren ikke fungerer slik den skal, kontroller sikringene og batteriene for å forsikre deg om at de fremdeles er gode og at de er korrekt satt inn.

## UTSKIFTING AV SIKRINGER

**ADVARSEL:** For å unngå elektrisk støt, må du koble testledningene fra alle spenningskilder før du fjerner sikringsdekselet.

1. Koble testledningene fra måleren.
2. Fjern batteridekselet.
3. Fjern forsiktig den gamle sikringen og sett en ny sikring inn i boksen.
4. Bruk alltid en sikring av riktig størrelse og verdi (0,5A/600 V raskt slag for 600mA-området, 10A/600 V raskt slag for 20A-området).
5. Erstatt og sikre bakdekselet, batteri og batterideksel.

**ADVARSEL:** For å unngå elektrisk støt, må du ikke bruke måleren før sikringsdekselet sitter på plass og er skikkelig festet.

## 8. Spesifikasjoner

Funksjon	Område	Oppløsning	Presisjon
DC spenning	400mV	0.1mV	± (1,0 % avlesning + 5 sifre)
	4V	0.001V	± (1,0 % avlesning + 3 sifre)
	40V	0.01V	
	400V	0.1V	
	600V	1V	
AC spenning (50Hz til 60Hz)	4V	0.001V	± (1,2 % avlesning + 3 sifre)
	40V	0.01V	
	400V	0.1V	
	600V	1V	
Alle AC spenningsområder er spesifisert fra 5 % av området til 100 % av området			
DC strøm	400µA	0.1µA	± (1,0 % avlesning + 3 sifre)
	4000µA	1µA	
	40mA	0.01mA	
	400mA	0.1mA	
	4A	0.001A	± (1,2 % avlesning + 3 sifre)
	10A	0.01A	
	(20A: 30 sek maks med redusert nøyaktighet)		


AC strøm (50Hz til 60Hz)	400µA	0.1µA	± (1,2 % avlesning + 3 sifre)
	4000µA	1µA	
	40mA	0.01mA	
	400mA	0.1mA	
	4A	0.001A	± (1,8 % avlesning + 5 sifre)
	10A	0.01A	
	(20A: 30 sek maks med redusert nøyaktighet)		
Alle AC spenningsområder er spesifisert fra 5 % av området til 100 % av området			

**MERK:** Presisjon er oppgitt ved 65°F til 83°F (18°C to 28°C) og mindre enn 75 % RF.

Funksjon	Område	Oppløsning	Presisjon
Motstand	400Ω	0.1kΩ	± (1,5 % avlesning + 5 sifre)
	4kΩ	0.001kΩ	
	40kΩ	0.01kΩ	
	400kΩ	0.1kΩ	
	4MΩ	0.001MΩ	
	40MΩ	0.01MΩ	± (2,5 % avlesning + 20 sifre)
Kapasitet	40nF	0.01nF	± (4,5 % avlesning + 10 sifre)
	400nF	0.1nF	
	4µF	0.001µF	± (3,0 % avlesning + 5 sifre)
	40µF	0.01µF	
	400µF	0.1µF	
4000µF	1µF	± (5 % avlesning + 5 sifre)	
Frekvens (elektrisk)	10.00-10KHz	0.01Hz	± (1,2 % avlesning)
	Sensitivitet: 15 V rms		
Arbeidssyklus	0.1 to 99.9%	0.1%	± (1,2 % avlesning + 2 sifre)
	Pulsbredde: 100 µs - 100 ms, frekvens: 5Hz til 150kHz		

**Merk:** Spesifikasjoner for presisjon består av to elementer:

- (% avlesning) – Dette er målekretsens presisjon.
- (+ sifre) – Dette er analog-til-digital-omformerens presisjon.

<b>Kapsling</b>	Dobbelstøpt
<b>Støt (falltest)</b>	6,5 fot (2 meter)
<b>Diodetest</b>	Teststrøm på maksimum 1,5mA, åpen kretsspenning 3 V DC typisk
<b>Kontinuitetskontroll</b>	Hørbart signal vil høres hvis motstanden er mindre enn 50Ω (cirka), teststrøm <0.35mA
<b>Inngangsimpedans</b>	> 10MΩ V DC og > 10MΩ V AC
<b>AC respons</b>	S RMS
<b>AC V båndbredde</b>	50/60Hz (ALLE BØLGER) 45Hz til 1000Hz (SINUSBØLGE)
<b>Crest faktor (toppfaktor)</b>	≤3 i full skala opp til 300 V, og reduseres lineært til ≤1,5 ved 600 V
<b>Skjerm</b>	4000 tellere positiv skjerm
<b>Indikasjon utenfor måleområde</b>	«OL» vises
<b>Automatisk avstenging av strøm</b>	15 minutter (cirka) med deaktivert-funksjon
<b>Polaritet</b>	Automatisk (ingen indikasjon for positiv); Minus-tegn (-) for negativ
<b>Målefrekvens</b>	3 ganger i sekundet, nominell
<b>Indikasjon på lavt batterinivå</b>	«  » vises hvis batterispenningen faller under driftsspenning
<b>Batteri</b>	1,5 V AAA * 2 batteri
<b>Sikringer</b>	mA, μA område; 0,5A 600 V keramisk raskt slag A område; 10A/600 V keramisk raskt slag
<b>Driftstemperatur</b>	5 °C til 40 °C
<b>Lagringstemperatur</b>	-20 °C til 60 °C
<b>Luftfuktighet ved drift</b>	Maks 80 % opp til 87 °F (31 °C) synker lineært til 50 % ved 104 °F (40 °C)
<b>Fuktighet ved lagring</b>	<80%
<b>Driftshøyde</b>	7000 fot. (2000 meter) maksimum.
<b>Vekt</b>	0,753 lb (342 g) (inkluderer hylster).
<b>Størrelse</b>	(182 x 82 x 59 mm) (inkluderer hylster)
<b>Sikkerhet</b>	Dette multimeteret er beregnet som opprinnelse til installasjonsbruk og er beskyttet, mot brukerne, av dobbel isolasjon i henhold til EN61010-1 og IEC61010-1 2. utgave (2001) til kategori III 600 V og kategori II1000 V; forurensningsgrad 2. Multimeteret oppfyller også UL 61010-1,2. utgave (2004), CAN/CSA C22.2 Nr. 61010-1 2. utgave (2004) og UL 61010B-2-031,1. utgave (2003)

## 1. Sissejuhatus

Multimeetriga saab mõõta vahelduv- ja alalispinget, vahelduv- ja alalisvoolu, takistust, elektrimahtuvust, (elektrilist) sagedust, dioode ning juhtivust. Pikaks kasutuseaks on sellel veekindel ja tugev disain. Seadet õigesti kasutades ja hooldades püsib see aastaid töökorras.

### Ohutus

Kui see sümbol esineb teise sümboli, klemmi või juhtseadme kõrval, peab kasutaja lugema kasutusjuhiseid, et vältida kehavigastust ja seadme kahjustamist.

#### HOIATUS

HOIATUSSÜMBOL tähistab ohtlikku olukorda ja hoiatuse eiramine võib põhjustada surma või rasket vigastust.

#### ETTEVAATUST

ETTEVAATUSSÜMBOL tähistab ohtlikku olukorda ja hoiatuse eiramine võib põhjustada tootekahjustusi.



Sümboliga hoiatatakse kasutajat, et sellega tähistatud klemmi (klemme) ei tohi ühendada ahela punktiga, kus pinge ületab maandusega võrreldes (siin kirjeldatud juhul) 600 VAC või VDC.



Kui see sümbol asub ühe või mitme klemmi juures, tähendab see, et neis klemmides võib tavakasutuse korral esineda eriti ohtlik pinge. Maksimaalse ohutuse tagamiseks ei tohi seadet ega mõõtejuhthmeid käsitseda, kui klemmid on pingestatud.



See sümbol tähendab, et terve seade on kaitstud kahekordse või tugevdatud isolatsiooniga.

## 2. ÜLEPINGEKATEGORIAID STANDARDI IEC1010 ALUSEL

### I ÜLEPINGEKATEGORIA

I ÜLEPINGEKATEGORIA seadmed on mõeldud ühendamiseks ahelatega, milles on võetud meetmed transientülepinge hoidmiseks sobival madalal tasemel.

Märkus – näidete hulgas on kaitstud elektriahelad.

### II ÜLEPINGEKATEGORIA

II ÜLEPINGEKATEGORIA alla kuuluvad energiat tarbivad paiksed seadmed.

Märkus – näidete hulgas on kodumasinad, kontori- ja laboriseadmed.

### III ÜLEPINGEKATEGOORIA

III ÜLEPINGEKATEGOORIA alla kuuluvad seadmed paiksetes seadmetes.

Märkus – näidete hulgas on paiksete seadmete lülitid ja tööstuslikud seadmed, millel on püsiühendus paikse seadmega.

### IV ÜLEPINGEKATEGOORIA

IV ÜLEPINGEKATEGOORIA seadmed on mõeldud kasutamiseks paigalduskohas.

Märkus – näidete hulgas on elektriarvestid ja peamised liigvoolukaitse seadmed.

## 3. OHUTUSJUHISED

Seade on välja töötatud ohutuks kasutamiseks, kuid seda peab käsitsemiseks ettevaatlikult. Allpool toodud reegleid peab seadme ohutuks kasutamiseks hoolikalt järgima.

3.1.Ärge **KUNAGI** rakendage seadmele pinget ega voolu, mis ületab defineeritud maksimaalväärtust.

Sisendi kaitse piirangud	
Funktsioon	Suurim sisend
VDC või VAC	600 V DC/AC rms
mA AC/DC	500 mA 600 V kiiretoimeline sulavkaitse
A AC/DC	10 A 600 V kiiretoimeline sulavkaitse
Sagedus, takistus, elektrimahtuvus, dioodikaitse, juhtivus	300 V DC/AC rms
Ülepingekaitse: maksimumpinge 6 kV standardi IEC 61010 kohaselt	

3.2. Olge kõrgepingega töötades **ÄÄRMISELT ETTEVAATLIK**.

3.3. **ÄRGE** mõtke pinget, kui sisendpesa COM pinget on maanduses üle 600 V.

3.4. Ärge **KUNAGI** ühendage seadme juhtmeid pingesallikaga, kui funktsioonilüliti on voolu, takistuse või diodi režiimis. See võib seadet kahjustada.

3.5. Tühjendage **ALATI** toiteallika filtreerivad kondensaatorid ja lahutage toide, kui mõõdate takistust või diodi.

3.6. Lülitage toide **ALATI** välja ja lahutage mõõtejuhtmed, enne kui avate katte sulavkaitsme või patareide vahetamiseks.

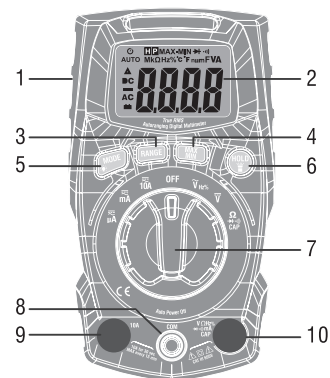
3.7. Ärge kasutage seadet **KUNAGI**, kui selle tagakaas või patareid- ja kaitsekate pole kindlalt suletud.

3.8. Kui seadet kasutatakse muul viisil kui juhendis kirjeldatud, võib seadme kaitse nõrgeneda.

## 4. Juhtnupud ja pesad

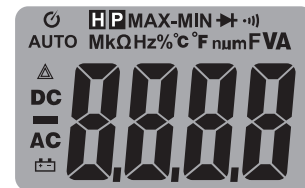
1. Patareikate
2. 4000-näiduline inverteeritud LCD-näidik
3. Mõõtepiirkonna nupp
4. Nupp MAX/MIN
5. Režiiminupp
6. Tulemuse kuvale hoidmise ja taskulambi nupp
7. Funktsioonilüliti
8. COM-sisendi pesa
9. 10 A sisendi pesa
10. Positiivne, mA, µA sisendi pesa

**Märkus:** seadme jalga ja patareipesa asuvad seadme tagaküljel.



## 5. Sümbolid ja teavitussümbolid

- ⏻ Automaatne sisselülitus
- |) Juhtivus
- ➔ Diodi kontrollimine
- ⚡ Patareid olek
- n nano (10–9) (elektrimahtuvus)
- µ mikro (10–6) (amprid, mahtuvus)
- m milli (10–3) (voldid, amprid)
- A amprid
- K kilo (10<sup>3</sup>) (oomid)
- F faradid (elektrimahtuvus)
- M mega (10<sup>6</sup>) (oomid)
- Ω oomid
- Hz hertsid (sagedus)
- V voldid
- % protsent (täidetegur)
- AC vahelduvvool



- AUTO** automaatne mõõtepiirkonna valimine
- DC** alalisvool
- HOLD** andmete kuvale hoidmine
- MAX** suurim
- MIN** väikseim

## Kasutusjuhised

**HOIATUS!** Elektrilöögi oht. Nii vahelduv- kui ka alalispingega kõrgepingeahelad on väga ohtlikud ja neid tuleb mõõta väga ettevaatlikult.

1. Lülitage funktsioonilüliti ALATI välja, kui seadet ei kasutata.
2. Kui mõõtmise ajal kuvatakse näidikul tekst „OL“, ületab väärtus valitud mõõtepiirkonda. Valige kõrgem mõõtepiirkond.

## ALALISPINGE MÕÖTMINE

**ETTEVAATUST!** Ärge mõõtk alalispinget, kui ahelaga ühendatud mootorit lülitatakse sisse või välja. Esineda võivad suured pingetõusud, mis võivad seadet kahjustada.

1. Keerake funktsioonilüliti rohelisse VDC asendisse.
2. Sisestage musta mõõtejuhtme banaanpistik negatiivsesse COM-pessa. Sisestage punase mõõtejuhtme banaanpistik positiivsesse V-pessa.
3. Pange musta mõõtejuhtme ots ahela negatiivse poole vastu. Pange punase mõõtejuhtme ots ahela positiivse poole vastu.
4. Lugege mõõdetud pinget näidikult.

## VAHELDUVPINGE (SAGEDUSE, TÄITETEGURI) MÕÖTMINE

**HOIATUS!** Elektrilöögi oht. Mõõtejuhtmete otsad võivad olla liiga lühikesed, et ulatuda osa 240 V pistikupesade pingestatud osadeni, sest kontaktid on sügaval pesa sees. Sel põhjusel võib mõõtetulemus olla 0, kuigi pistikupesa on tegelikult pingestatud. Veenduge, et mõõtejuhtmete otsad puudutaksid pistikupesa metallkontakte, enne kui eeldate, et pesa pole pingestatud.

**ETTEVAATUST!** Ärge mõõtk vahelduvpinget, kui ahelaga ühendatud mootorit lülitatakse sisse või välja. Esineda võivad suured pingetõusud, mis võivad seadet kahjustada.

1. Keerake funktsioonilüliti asendisse VAC/Hz/%.
2. Sisestage musta mõõtejuhtme banaanpistik negatiivsesse COM-pessa. Sisestage punase mõõtejuhtme banaanpistik positiivsesse V-pessa.
3. Pange musta mõõtejuhtme ots ahela neutraalse poole vastu. Pange punase mõõtejuhtme ots ahela pingestatud poole vastu.
4. Lugege mõõdetud pinget näidikult.
5. Vajutage nuppu Hz/%, et mõõta hertse.
6. Lugege mõõdetud sagedust näidikult.
7. Vajutage nuppu Hz/% uuesti, et mõõta protsenti.
8. Lugege mõõdetud täiteteguri protsenti näidikult.

## ALALISVOOLU MÕÖTMINE

**ETTEVAATUST!** Ärge mõõtk voolu 20 A mõõtepiirkonnas üle 30 sekundi. Vastasel juhul võivad seade ja/või mõõtejuhtmed saada kahjustada.

1. Sisestage musta mõõtejuhtme banaanpistik negatiivsesse COM-pessa.
2. Kuni 6000  $\mu$ A alalisvoolu mõõtmisel seadke funktsioonilüliti kollasesse  $\mu$ A asendisse ja sisestage punase mõõtejuhtme banaanpistik  $\mu$ A/mA pesa.
3. Kuni 600 mA alalisvoolu mõõtmisel seadke funktsioonilüliti kollasesse mA asendisse ja sisestage punase mõõtejuhtme banaanpistik  $\mu$ A/mA pesa.
4. Kuni 20 A alalisvoolu mõõtmisel seadke funktsioonilüliti asendisse 10A/Hz/% ja sisestage punase mõõtejuhtme banaanpistik 10 A pesa.
5. Vajutage nuppu MODE, et kuvada näidikul alalisvoolu.
6. Eemaldage mõõdetava ahela toide ja avage ahel kohas, kus soovite voolu mõõta.
7. Pange musta mõõtejuhtme ots ahela negatiivse poole vastu. Pange punase mõõtejuhtme ots ahela positiivse poole vastu.
8. Lülitage ahela toide sisse.
9. Lugege mõõdetud voolu näidikult.

## VAHELDUVOOLU (SAGEDUSE, TÄITETEGURI) MÕÖTMINE

**ETTEVAATUST!** Ärge mõõtk voolu 20 A mõõtepiirkonnas üle 30 sekundi. Vastasel juhul võivad seade ja/või mõõtejuhtmed saada kahjustada.

1. Sisestage musta mõõtejuhtme banaanpistik negatiivsesse COM-pessa.
2. Kuni 6000  $\mu$ A vahelduvvoolu mõõtmisel seadke funktsioonilüliti kollasesse  $\mu$ A asendisse ja sisestage punase mõõtejuhtme banaanpistik  $\mu$ A/mA pesasse.
3. Kuni 600 mA vahelduvvoolu mõõtmisel seadke funktsioonilüliti kollasesse mA asendisse ja sisestage punase mõõtejuhtme banaanpistik  $\mu$ A/mA pesasse.
4. Kuni 20 A vahelduvvoolu mõõtmisel seadke funktsioonilüliti asendisse 10A/Hz/% ja sisestage punase mõõtejuhtme banaanpistik 10 A pesasse.
5. Vajutage näidikul vahelduvvoolu kuvamiseks nuppu MODE.
6. Eemaldage mõõdetava ahela toide ja avage ahel kohas, kus soovite voolu mõõta.
7. Pange musta mõõtejuhtme ots ahela neutraalse poole vastu. Pange punase mõõtejuhtme ots ahela pingestatud poole vastu.
8. Lülitage ahela toide sisse.
9. Lugege mõõdetud voolu näidikult.

## TAKISTUSE MÕÕTMINE

**HOIATUS!** Elektrilöögi vältimiseks lahutage mõõdetava seadme toide ja tühjendage enne takistuse mõõtmist kõik kondensaatorid. Eemaldage patareid ja ühendage lahti toitejuhtmed.

1. Keerake funktsioonilüliti rohelisse ➔ ⚡ Ω **CAP** asendisse. Sisestage musta mõõtejuhtme banaapistik negatiivsesse COM-pessa. Sisestage punase mõõtejuhtme banaapistik positiivsesse Ω pessa.
2. Vajutage nuppu MODE, et kuvada näidikul Ω.
3. Pange mõõtejuhtme otsad mõõdetava ahela või osa vastu. Soovitatav on ühendada mõõdetava osa üks pool lahti, et ülejäänud ahel ei mõjutaks mõõdetavat takistust.
4. Lugege mõõdetud takistust näidikult.

## JUHTIVUSE KONTROLL

**HOIATUS!** Elektrilöögi vältimiseks ärge mõõtke kunagi juhtivust pingestatud ahelates või juhtmetes.

1. Keerake funktsioonilüliti rohelisse ➔ ⚡ Ω **CAP** asendisse.
2. Sisestage musta mõõtejuhtme banaapistik negatiivsesse COM-pessa. Sisestage punase mõõtejuhtme banaapistik positiivsesse Ω pessa.
3. Vajutage nuppu MODE, et kuvada näidikul ⚡ ja Ω.
4. Pange mõõtejuhtmete otsad mõõdetava ahela või juhtme vastu.
5. Kui takistus on väiksem kui ligikaudu 50 Ω, kostab helisignaali. Kui ahel on avatud, kuvatakse näidikul tekst OL.

## DIODI KONTROLLIMINE

1. Keerake funktsioonilüliti rohelisse ➔ ⚡ Ω **CAP** asendisse.
2. Sisestage musta mõõtejuhtme banaapistik negatiivsesse **COM**-pessa ja punase mõõtejuhtme banaapistik positiivsesse V-pessa.
3. Vajutage nuppu MODE, et kuvada näidikul ➔ ja V.
4. Pange mõõtejuhtmete otsad mõõdetava diodi vastu. Päripingelang on tavaliselt vahemikus 0,400–0,700 V. Vastupinge korral kuvatakse näidikul tekst „OL“. Lühises seadmete puhul on tulemus 0 V lähedal ja avatud seadme puhul kuvatakse mõlema polaarsuse korral tekst „OL“.

## ELEKTRIMAHTUVUSE MÕÕTMINE

**HOIATUS!** Elektrilöögi vältimiseks lahutage mõõdetava seadme toide ja tühjendage kõik kondensaatorid enne elektrimahtuvuse mõõtmist. Eemaldage patareid ja ühendage lahti toitejuhtmed.

1. Keerake funktsioonilüliti rohelisse ➔ ⚡ Ω **CAP** asendisse.
2. Sisestage musta mõõtejuhtme banaapistik negatiivsesse COM-pessa. Sisestage punase mõõtejuhtme banaapistik positiivsesse V-pessa.
3. Vajutage nuppu MODE, et kuvada näidikul tekst „nF“.
4. Pange mõõtejuhtmete otsad mõõdetava kondensaatori vastu.
5. Mõõtmine võib kesta kuni kolm minutit või suurte kondensaatorite laadimise korral kauem. Enne mõõtmise lõpetamist oodake, et tulemus stabiliseeruks.
6. Lugege mõõdetud elektrimahtuvust näidikult.

## 6. AUTOMAATNE/MANUAALNE MÕÕTEPIIRKONNA VALIMINE

Kui seade lülitatakse esimest korda sisse, on see kõhe automaatse mõõtepiirkonna valimise režiimis. Seade valib ise parima piirkonna parasjagu tehtava mõõtmise jaoks ja see on enamiku mõõtmiste jaoks parim režiim. Olukorras, kus mõõtepiirkonna peab käsitsi valima, toimige järgmiselt.

1. Vajutage nuppu RANGE. Tekst AUTO kustub näidikult.
2. Vajutage nuppu RANGE, kuni jõuate soovitud mõõtevahemikuni.
3. Manuaalsest mõõtepiirkonna valimise režiimist automaatsesse režiimi minekuks hoidke nuppu RANGE all kaks sekundit.

**Märkus:** manuaalrežiimi ei saa valida mahtuvuse ja sageduse mõõtmise korral.

### MAX/MIN

**Märkus:** funktsiooni MAX/MIN kasutamisel automaatse mõõtepiirkonna valimise režiimis „**lukustub**“ seade piirkonda, mida kuvatakse LCD-näidikul funktsiooni aktiveerimise ajal. Kui funktsiooni MAX/MIN tulemus ületab piirkonda, kuvatakse tekst „OL“. Valige soovitud piirkond ENNE funktsiooni MAX/MIN aktiveerimist.

1. Vajutage MAX/MIN nuppu, et aktiveerida salvestusrežiim MAX/MIN. Näidikule ilmub tekst „MAX“. Seade kuvab pidevalt suurimat mõõtetulemust ja uuendab näitu ainult juhul, kui mõõdetakse suurem tulemus.

- Vajutage uuesti nuppu MAX/MIN ja näidikule ilmub tekst „MIN“. Seade kuvab pidevalt väikseimat mõõtetulemust ja uuendab näitu ainult juhul, kui mõõdetakse väiksem tulemus.
- Režiimist MAX/MIN väljumiseks hoidke nuppu MAX/MIN all kaks sekundit.

### NÄIDIKU TAGANTVALGUSTUS

Hele taust ja tagantvalgustus töötavad, kui seade on sisse lülitatud.

### REŽIIMID

Režiiminuppu MODE vajutades saab valida näidikul kuvatava kaht tüüpi mõõtmisfunktsiooni vahel. Seda nuppu saab kasutada eelkõige asendis **V •** ➔ • **CAP • Ω**, et valida takistuse, diodi, juhtivuse või mahutavuse mõõtmise vahel ning vooluasendis vahelduv- või alalisvoolu mõõtmise vahel.


### TULEMUSE HOIDMINE / TASKULAMP

Tulemuse kuval hoidmise funktsioon hoiab mõõtetulemust näidikul. Funktsiooni aktiveerimiseks või sellest väljumiseks vajutage nuppu HOLD. Hoidke nuppu HOLD all kauem kui üks sekund, et taskulamp sisse või välja lülitada. Taskulamp lülitub automaatselt välja, kui seadet pole viie minuti jooksul kasutatud.

### AUTOMAATNE VÄLJALÜLITUS

Seade lülitub 15 minuti järel automaatselt välja. Funktsiooni desaktiveerimiseks hoidke all nuppu MODE ja lülitage seade sisse.

### TÜHJENEVA PATAREI INDIKAATOR

Kui patareipinge on liiga väike, kuvatakse näidiku alumises vasakus nurgas ikooni . Kui see juhtub, vahetage patarei välja.

## 7. Hooldamine

**HOIATUS!** Elektrilöögi vältimiseks ühendage enne tagumise kaane, patarei- või kaitsmekatte eemaldamist mõõtejuhtmed pingesallikatest lahti.

**HOIATUS!** Elektrilöögi vältimiseks ärge kasutage seadet enne, kui patarei- ja sulavkaitsme kate on suletud ning tugevasti kinnitatud.

Multimeeter töötab aastaid usaldusväärselt, kui peetakse kinni järgmistest hooldusjuhustest.

- HOIDKE SEADE KUIV. Kui seade saab märjaks, pühkige see kuivaks.
- KASUTAGE JA HOIDKE SEADET TAVATEMPERATUURIL. Äärmusliku temperatuuri tõttu võib elektroonikakomponentide eluiga lüheneda ja plastosad võivad moonduda või sulada.

- KÄSITSEGE SEADET ÕRNALT JA ETTEVAATLIKULT. Kukkumine võib kahjustada elektroonikaosi või korpust.
- HOIDKE SEADE PUHAS. Pühkige korpust aeg-ajalt niiske lapiga. ÄRGE kasutage kemikaale, puhastuslahusteid ega pesuaineid.
- KASUTAGE AINULT SOOVITATUD SUURUSEGA JA TÜÜPI UUSI PATAREISID. Eemaldage vanad või peaaegu tühjad patareid, et need ei lekiks ega kahjustaks seadet.
- KUI SEADE PANNAKSE PIKAKS AJAKS HOIULE, tuleb seadme kahjustuste vältimiseks patareid eemaldada.

### PATAREI PAIGALDAMINE

**HOIATUS!** Elektrilöögi vältimiseks ühendage enne patareikatte eemaldamist mõõtejuhtmed pingesallikatest lahti.

- Lülitage toide välja ja lahutage mõõtejuhtmed seadmest.
- Avage tagumine patareikate, eemaldades kruvi ristpeaga kruvikeeraja abil.
- Sisestage patarei patareihoidjasse, järgides õiget polaarsust.
- Pange patareikate tagasi ja kinnitage kruviga.

**HOIATUS!** Elektrilöögi vältimiseks ärge kasutage seadet enne, kui patareikate on suletud ja tugevasti kinnitatud.

**MÄRKUS:** kui seade ei tööta korralikult, kontrollige sulavkaitsmeid ning patareisid veendumaks, et need on töökorras ja õigesti sisestatud.

### SULAVKAITSMETE VAHETAMINE

**HOIATUS!** Elektrilöögi vältimiseks ühendage enne sulavkaitsme katte eemaldamist mõõtejuhtmed pingesallikatest lahti.

- Lahutage mõõtejuhtmed seadmest.
- Eemaldage patareikate.
- Eemaldage õrnalt vana kaitse ja sisestage hoidikusse uus kaitse.
- Kasutage alati õige suuruse ja väärtusega sulavkaitset (kiiretoimelist 0,5 A / 600 V piirkonna 600 mA jaoks ja kiiretoimelist 10 A / 600 V piirkonna 20 A jaoks).
- Pange tagumine kate, patarei ja patareikate tagasi ning kinnitage need.

**HOIATUS!** Elektrilöögi vältimiseks ärge kasutage seadet enne, kui sulavkaitsme kate on suletud ja tugevasti kinnitatud.

## 8. Tehnilised andmed


Funktsioon	Mõõtepiirkond	Eraldusvõime	Täpsus
Alalispinge	400mV	0.1mV	± (1,0% tulemusest + 5 numbrikohta)
	4V	0.001V	± (1,0% tulemusest + 3 numbrikohta)
	40V	0.01V	
	400V	0.1V	
	600V	1V	
Vahelduvpinge (50–60 Hz)	4V	0.001V	± (1,2% tulemusest + 3 numbrikohta)
	40V	0.01V	
	400V	0.1V	
	600V	1V	
Kõik vahelduvpinge piirkonnad on vahemikus 5–100%.			
Alalisvool	400µA	0.1µA	± (1,0% tulemusest + 3 numbrikohta)
	4000µA	1µA	
	40mA	0.01mA	
	400mA	0.1mA	± (1,2% tulemusest + 3 numbrikohta)
	4A	0.001A	
	10A	0.01A	
	(20 A: max 30 sekundit, vähendatud täpsusega)		
Vahelduvvool (50–60 Hz)	400µA	0.1µA	± (1,2% tulemusest + 3 numbrikohta)
	4000µA	1µA	
	40mA	0.01mA	
	400mA	0.1mA	
	4A	0.001A	± (1,8% tulemusest + 5 numbrikohta)
	10A	0.01A	
	(20 A: max 30 sekundit, vähendatud täpsusega)		
Kõik vahelduvpinge piirkonnad on vahemikus 5–100%.			

**MÄRKUS:** täpsus on toodud vahemikus 65–83 °F (18–28 °C) madalama kui 75% suhtelise õhuniiskuse juures.

Funktsioon	Mõõtepiirkond	Eraldusvõime	Täpsus
Takistus	400Ω	0.1kΩ	± (1,5% tulemusest + 5 numbrikohta)
	4kΩ	0.001kΩ	
	40kΩ	0.01kΩ	
	400kΩ	0.1kΩ	
	4MΩ	0.001MΩ	
	40MΩ	0.01MΩ	± (2,5% tulemusest + 20 numbrikohta)
Elektrimahtuvus	40nF	0.01nF	± (4,5% tulemusest + 10 numbrikohta)
	400nF	0.1nF	± (3,0% tulemusest + 5 numbrikohta)
	4µF	0.001µF	
	40µF	0.01µF	
	400µF	0.1µF	
	4000µF	1µF	± (5% tulemusest + 5 numbrikohta)
Sagedus (elektriline)	10.00-10KHz	0.01Hz	± (1,2% tulemusest)
	Tundlikkus: 15 Vrms		
Täitetegur	0.1 to 99.9%	0.1%	± (1,2% tulemusest + 2 numbrikohta)
	Impulsi kestus: 100 µs kuni 100 ms; sagedus: 5 Hz kuni 150 kHz		

**Märkus:** täpsuse spetsifikatsioonid koosnevad kahest osast.

- (% tulemusest) – mõõtelülituse täpsus.
- (+ numbrikoht) – analoog-digitaalmuunduri täpsus.

<b>Korpus</b>	Topeltvalu
<b>Põrutuskindlus (kukkumiskatse)</b>	6,5 jalga (2 meetrit)
<b>Diiodi kontrollimine</b>	Katsevool max 1,5 mA, avatud ahela tavaline pinge 3 V DC
<b>Juhtivuse kontroll</b>	Kui takistus on väiksema kui 0,35 mA katsevoolu korral väiksem kui 50 Ω (ligikaudu), kostab helisignaali
<b>Sisendi näivtakistus</b>	> 10 MΩ VDC ja > 10 MΩ VAC
<b>Vahelduvvoolu mõõtemeetod</b>	Tegelik efektiivväärtus
<b>Vahelduvpinge sageduslik mõõtepiirkond</b>	50/60 Hz (MITTESINUSOIDAALNE); 45–1000 Hz (SINUSOID)
<b>Amplituuditegur</b>	≤Kuni 300 V korral täies ulatuses ≤ 3; 600 V korral väheneb lineaarselt kuni ≤ 1,5
<b>Näidik</b>	4000-näiduline heleda taustaga näidik
<b>Mõõtepiirkonna ületamine</b>	Kuvatakse tekst „OL“
<b>Automaatne väljalülitus</b>	15 minutit (ligikaudu), desaktiveeritav
<b>Polaarsus</b>	Automaatne (positiivsest polaarsusest ei teatata); miinusmärk (–) negatiivse polaarsuse korral
<b>Mõõtmisagedus</b>	Kolm korda sekundis, nominaalne
<b>Tühjeneva patarei indikaator</b>	Kui patarei pinge langeb alla tööpinge, kuvatakse näidikul ikoon 
<b>Patarei</b>	1,5 V AAA-patarei × 2
<b>Sulavkaitsmed</b>	mA, µA piirkonnad: 0,5 A / 600 V keraamiline kiiretoimeline; A piirkond: 10 A / 600 V keraamiline kiiretoimeline
<b>Töötemperatuur</b>	41–104 °F (5–40 °C)
<b>Hoiutemperatuur</b>	–4 kuni 140 °F (–20 kuni 60 °C)
<b>Tööduniiskus</b>	Max 80% kuni 87 °F (31 °C), 104 °F (40 °C) juures väheneb lineaarselt 50%-ni
<b>Õhuniiskus hoiul olles</b>	<80%
<b>Kasutuskõrgus</b>	7000 jalga (2000 meetrit) max
<b>Mass</b>	0,753 lb (342 g) (k.a. vutlar)
<b>Mõõtmed</b>	182 × 82 × 59 mm (k.a. vutlar)
<b>Ohutus</b>	Seade on mõeldud paigalduskohas kasutamiseks ning kasutajaid kaitseb topeltisolatsioon, mis vastab standardile EN 61010-1 ja standardi IEC 61010-1 2. väljaandele (2001), III ülepinge-kategooriale 600 V ning II ülepinge-kategooriale 1000 V; saasteaste 2. Seade on kooskõlas ka standardi UL 61010-1 2. väljaandega (2004), CAN/CSA C22.2 No. 61010-1 2. väljaandega (2004) ja UL 61010B-2-031 1. väljaandega (2003).

## 1. levads

Ar šo mērierīci var izmērīt maiņstrāvas/līdzstrāvas spriegumu, maiņstrāvu/līdzstrāvu, pretestību, kapacitāti, frekvenci (elektrisko), veikt diodes testu un nepārtrauktības testu. Ierīcei ir ūdensdroša, izturīga konstrukcija, kas paredzēta darbam lielas slodzes apstākļos. Pareiza mērierīces lietošana un apkope nodrošinās gadiem ilgu kalpošanu.

### Drošība

Šis simbols, kad tas atrodas blakus citam simbolam, spaiļei vai vadības ierīcei, norāda, ka lietotājam jāņem vērā lietošanas norādījumos sniegtais skaidrojums, lai izvairītos no miesas bojājumiem vai mērierīces bojājumiem.

### BRĪDINĀJUMS!

Šis BRĪDINĀJUMA simbols norāda uz potenciāli bīstamu situāciju, kuru nenovēršot var tikt gūtas nāvējošas vai smagas traumas.

### UZMANĪBU!

Šis UZMANĪBAS pievēršanas simbols norāda uz potenciāli bīstamu situāciju, kuru nenovēršot var rasties produkta bojājumi.



Šis simbols informē lietotāju, ka šādi atzīmēto(-ās) spailī(-es) nedrīkst savienot ar slēguma punktu, kurā spriegums attiecībā pret zemējumu pārsniedz (šajā gadījumā) 600 V maiņstrāvu vai līdzstrāvu.



Šis simbols, ja tas atrodas blakus vienai vai vairākām spailēm, norāda, ka tās ir saistītas ar diapazoniem, kas parasta lietojuma gadījumā var tikt pakļautas īpaši bīstamam spriegumam. Lai nodrošinātu maksimālu drošību, ar mērierīci un tās testa pievadiem nedrīkst rīkoties, kad šīs spaiļes ir pakļautas spriegumam.



Šis simbols norāda, ka visu ierīci aizsargā divkārtša izolācija vai pastiprināta izolācija.

## 2. IEC1010 IEKĀRTAS PĀRSPRIEGUMA KATEGORIJA

### PĀRSPRIEGUMA I KATEGORIJA

PĀRSPRIEGUMA I KATEGORIJA aprīkojums ir paredzēts savienošanai ar slēgumiem, kuros ir veikti pasākumi pārejas pārspriegumu ierobežošanai līdz pieņemamam, zemam līmenim.

Piezīme. - Piemēri ietver aizsargātus elektroniskos slēgumus.

## PĀRSPRIEGUMA II KATEGORIJA

PĀRSPRIEGUMA II KATEGORIJAS aprīkojums ir enerģiju patērējošs aprīkojums, kuram barošana jānodrošina no stacionāras sistēmas.

Piezīme. - Piemēri ietver mājsaimniecības, biroja un laboratorijas iekārtas.

## PĀRSPRIEGUMA III KATEGORIJA

PĀRSPRIEGUMA III KATEGORIJAS aprīkojums ir stacionāras iekārtas.

Piezīme. - Piemēri ietver slēdžus stacionārā iekārtā un dažādu rūpniecisko aprīkojumu, kas paredzēts pastāvīgai savienošanai ar stacionāru iekārtu.

## PĀRSPRIEGUMA IV KATEGORIJA

PĀRSPRIEGUMA IV KATEGORIJAS aprīkojums ir paredzēts lietošanai iekārtas sākuma punktā.

Piezīme. - Piemēri ietver elektrības mērierīces un primāro pārstrāvas aizsargaprīkojumu.

## 3. DROŠĪBAS NORĀDĪJUMI

Šī mērierīce ir paredzēta drošai lietošanai, bet tā ir jālieto, ievērojot piesardzību. Lai panāktu drošu lietošanu, uzmanīgi jāievēro tālāk norādītie noteikumi.

3.1. **NEKĀDĀ GADĪJUMĀ** mērierīcei nepievienojiet spriegumu vai strāvu, kas pārsniedz norādīto maksimālo vērtību:

Ieejas aizsardzības robežvērtības	
Funkcija	Maksimālā ieeja
V līdzstrāva vai V maiņstrāva	600 V līdzstrāva/maiņstrāva rms
mA maiņstrāva/līdzstrāva	500 mA 600 V ātras darbības drošinātājs
A maiņstrāva/līdzstrāva	10 A 600 V ātras darbības drošinātājs
Frekvence, pretestība, kapacitāte, diodes tests, nepārtrauktība	300 V līdzstrāva/maiņstrāva rms
Pārspriegumu impulsu aizsardzība: 6 kV maksimumspriegums saskaņā ar IEC 61010	

3.2. Strādājot ar augstu spriegumu, **IEVĒROJĒT ĪPAŠU PIESARDZĪBU.**

3.3. **NEMĒRIET** spriegumu, ja spriegums "COM" ieejas ligzdā pārsniedz zemējumu par 600 V.

3.4. **NEKĀDĀ GADĪJUMĀ** nepievienojiet mērierīces pievadus pāri sprieguma avotam, kamēr ieslēgts strāvas, pretestības vai diodes režīms. Citādi iespējams sabojāt mērierīci.

3.5. **VIENMĒR** izlādējiet filtra kondensatorus barošanas avotos un atvienojiet barošanas avotu, veicot pretestības vai diodes testus.

3.6. **VIENMĒR** izslēdziet barošanas avotu un atvienojiet testa pievadus, pirms atverat vāku, lai nomainītu drošinātāju vai baterijas.

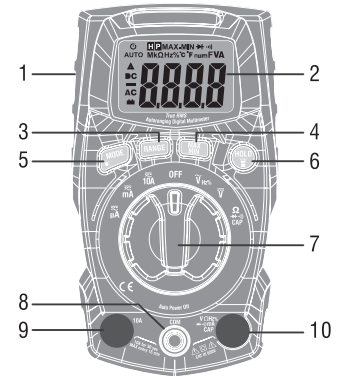
3.7. **NEKĀDĀ GADĪJUMĀ** neizmantojiet mērierīci, ja aizmugures vāks un bateriju un drošinātāja nodalījumu vāki nav uzstādīti un cieši aizvērti.

3.8. Ja aprīkojums tiek lietots veidā, ko ražotājs nav norādījis, aprīkojuma aizsardzība var tikt sabojāta.
















## 4. Vadības elementi un ligzdas

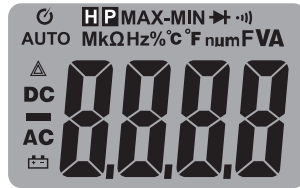
1. Bateriju nodalījuma vāks
2. LCD, negatīvie rādījumi līdz 3999
3. Diapazona poga RANGE
4. Funkcijas "MAX/MIN" poga
5. Režīmu poga
6. Funkcijas "HOLD" un apgaismojuma poga
7. Funkciju slēdzis
8. COM ieejas ligzda
9. 10 A ieejas ligzdas
10. Pozitīva, mA,  $\mu$ A ieejas ligzda

**Piezīme.** Sasveramais statīvs un bateriju nodalījums atrodas ierīces aizmugurē.



## 5. Simboli un signalizatori

	Automātiska ieslēgšana
	Nepārtrauktība
	Diodes tests
	Baterijas statuss
	nano (10–9) (kapacitāte)
	μ mikro (10–6) (ampēri, kapacitāte)
	m mili (10–3) (volti, ampēri)
	A Ampēri
	K kilo (10 <sup>3</sup> ) (omi)
	F Faradi (kapacitāte)
	M mega (10 <sup>6</sup> ) (omi)
	Ω Omi
	Hz Herci (frekvence)
	V Volti
	% Procenti (darba koeficients)



<b>AC</b>	Maiņstrāva
<b>AUTO</b>	Automātiska diapazona pārslēgšana
<b>DC</b>	Līdzstrāva
<b>HOLD</b>	Rādījuma paturēšana
<b>MAX</b>	Maksimums
<b>MIN</b>	Minimums

### Lietošanas instrukcija

**BRĪDINĀJUMS!** Elektriskās strāvas trieciena risks. Augstsprieguma slēgumi, gan maiņstrāvas, gan līdzstrāvas, ir ļoti bīstami, un tie ir jāmēra, ievērojot īpašu piesardzību.

1. VIENMĒR pagrieziet funkcijas slēdzi izslēgtā pozīcijā OFF, kad mērierīce netiek lietota.
2. Ja mērīšanas laikā tiek parādīts uzraksts "OL", vērtība pārsniedz izvēlēto diapazonu. Nomainiet diapazonu uz augstāku.

### LĪDZSTRĀVAS SPRIEGUMA MĒRĪŠANA

**UZMANĪBU!** Nemēriet līdzstrāvas spriegumu, ja slēgumā iekļauts motors tiek ieslēgts vai izslēgts. Var rasties lieli impulssprieguma viļņi, kas var sabojāt mērierīci.

1. Iestatiet funkcijas slēdzi zaļajā VDC pozīcijā.
2. Ievietojiet melnā testa pievada banāna tipa spraudni negatīvajā COM ligzdā. Ievietojiet sarkanā testa pievada banāna tipa spraudni pozitīvajā V ligzdā.

3. Pieskarieties ar melnās testa zondes galu pie slēguma negatīvās daļas. Pieskarieties ar sarkanās testa zondes galu pie slēguma pozitīvās daļas.
4. Nolasiet displejā attēloto spriegumu.

### MAIŅSTRĀVAS SPRIEGUMA (FREKVENCES, DARBA CIKLA) MĒRĪŠANA

**BRĪDINĀJUMS!** Elektriskās strāvas trieciena risks. Zonžu gali var nebūt pietiekami gari, lai saskartos ar spriegumam pakļautajām daļām dažās iekārtu 240 V kontaktligzdās, jo kontakti atrodas pārāk dziļi. Tādēļ rādījums var attēlot 0 voltu pat tad, ja kontaktligzda ir pakļauta spriegumam. Pirms pieņemam, ka kontaktligzda nav pakļauta spriegumam, pārliecinieties, vai zonžu gali saskaras ar metāla kontaktiem kontaktligzdā.

**UZMANĪBU!** Nemēriet maiņstrāvas spriegumu, ja slēgumā iekļauts motors tiek ieslēgts vai izslēgts. Var rasties lieli impulssprieguma viļņi, kas var sabojāt mērierīci.

1. Iestatiet funkcijas slēdzi zaļajā pozīcijā VAC/Hz/%.
2. Ievietojiet melnā testa pievada banāna tipa spraudni negatīvajā COM ligzdā. Ievietojiet sarkanā testa pievada banāna tipa spraudni pozitīvajā V ligzdā.
3. Pieskarieties ar melnās testa zondes galu pie slēguma neitrālās daļas. Pieskarieties ar sarkanās testa zondes galu pie slēguma spriegumam pakļautās daļas.
4. Nolasiet displejā attēloto spriegumu.
5. Nospiediet pogu Hz/%, lai norādītu "Hz".
6. Nolasiet displejā attēloto frekvenci.
7. Nospiediet pogu Hz/% vēlreiz, lai norādītu "%".
8. Nolasiet displejā attēlotos darba cikla procentus.

### LĪDZSTRĀVAS MĒRĪŠANA

**UZMANĪBU!** Nemēriet 20 A strāvu ilgāk par 30 sekundēm. Pārsniedzot 30 sekundes, mērierīcei un/vai testa pievadiem var rasties bojājumi.

1. Ievietojiet melnā testa pievada banāna tipa spraudni negatīvajā COM ligzdā.
2. Lai mērītu strāvu līdz 6000 μA līdzstrāvas, iestatiet funkcijas slēdzi dzeltenajā μA pozīcijā un ievietojiet sarkanā testa pievada banāna tipa spraudni μA/mA ligzdā.

- Lai mērītu strāvu līdz 600 mA līdzstrāvas, iestatiet funkcijas slēdzi dzeltenajā mA pozīcijā un ievietojiet sarkanā testa pievada banāna tipa spraudni  $\mu\text{A}/\text{mA}$  ligzdā.
- Lai mērītu strāvu līdz 20 A līdzstrāvas, iestatiet funkcijas slēdzi dzeltenajā 10 A/Hz/% pozīcijā un ievietojiet sarkanā testa pievada banāna tipa spraudni 10 A ligzdā.
- Nospiediet pogu MODE, lai ekrānā parādītu "DC".
- Atvienojiet barošanu no slēguma, kuram tiek veikts tests, pēc tam atveriet slēgumu vietā, kur vēlaties mērīt strāvu.
- Pieskarieties ar melnās testa zondes galu pie slēguma negatīvās daļas. Pieskarieties ar sarkanās testa zondes galu pie slēguma pozitīvās daļas.
- Pievienojiet slēgumam barošanu.
- Nolasiet displejā attēloto strāvu.

### MAIŅSTRĀVAS (FREKVENCES, DARBA CIKLA) MĒRĪŠANA

**UZMANĪBU!** Nemēriet 20 A strāvu ilgāk par 30 sekundēm. Pārsniedzot 30 sekundes, mērierīcei un/vai testa pievadiem var rasties bojājumi.

- Ievietojiet melnā testa pievada banāna tipa spraudni negatīvajā COM ligzdā.
- Lai mērītu strāvu līdz 6000  $\mu\text{A}$  maiņstrāvas, iestatiet funkcijas slēdzi dzeltenajā  $\mu\text{A}$  pozīcijā un ievietojiet sarkanā testa pievada banāna tipa spraudni  $\mu\text{A}/\text{mA}$  ligzdā.
- Lai mērītu strāvu līdz 600 mA maiņstrāvas, iestatiet funkcijas slēdzi dzeltenajā mA pozīcijā un ievietojiet sarkanā testa pievada banāna tipa spraudni  $\mu\text{A}/\text{mA}$  ligzdā.
- Lai mērītu strāvu līdz 20 A maiņstrāvas, iestatiet funkcijas slēdzi dzeltenajā 10 A/Hz/% pozīcijā un ievietojiet sarkanā testa pievada banāna tipa spraudni 10 A ligzdā.
- Nospiediet pogu MODE, lai ekrānā parādītu "AC".
- Atvienojiet barošanu no slēguma, kuram tiek veikts tests, pēc tam atveriet slēgumu vietā, kur vēlaties mērīt strāvu.
- Pieskarieties ar melnās testa zondes galu pie slēguma neitrālās daļas. Pieskarieties ar sarkanās testa zondes galu pie slēguma spriegumam pakļautās daļas.
- Pievienojiet slēgumam barošanu.
- Nolasiet displejā attēloto strāvu.

### PRETESTĪBAS MĒRĪŠANA

**BRĪDINĀJUMS!** Lai nepieļautu elektriskās strāvas triecienu, atvienojiet iekārtas, kura tiek testēta, barošanu un izlādējiet visus kondensatorus, pirms veicat pretestības mērīšanu. Izņemiet baterijas un atvienojiet vadus.

- Iestatiet funkcijas slēdzi zaļajā pozīcijā  $\rightarrow \rightarrow \rightarrow \Omega$  **CAP**. Ievietojiet melnā testa pievada banāna tipa spraudni negatīvajā COM ligzdā. Ievietojiet sarkanā testa pievada banāna tipa spraudni pozitīvajā  $\Omega$  ligzdā.
- Nospiediet pogu MODE, lai ekrānā parādītu " $\Omega$ ".
- Pieskarieties ar testa zonžu galiem pie slēguma vai daļas, kam tiek veikts tests. Ieteicams atvienot vienu testētās daļas pusi, lai pārējais slēgums nerādītu traucējumu pretestības nolasišanā.
- Nolasiet displejā attēloto pretestību.

### NEPĀRTRAUKTĪBAS PĀRBAUDE

**BRĪDINĀJUMS!** Lai nepieļautu elektriskās strāvas triecienu, nekad nemēriet nepārtrauktību slēgumos vai vadus, kas ir pakļauti spriegumam.


- Iestatiet funkcijas slēdzi zaļajā pozīcijā  $\rightarrow \rightarrow \rightarrow \Omega$  **CAP**.
- Ievietojiet melnā pievada banāna tipa spraudni negatīvajā COM ligzdā. Ievietojiet sarkanā testa pievada banāna tipa spraudni pozitīvajā  $\Omega$  ligzdā.
- Nospiediet pogu MODE, lai ekrānā parādītu " $\rightarrow \rightarrow \rightarrow \Omega$ " un " $\Omega$ ".
- Pieskarieties ar testa zonžu galiem pie slēguma vai vada, kuru vēlaties pārbaudīt.
- Ja pretestība ir mazāka par aptuveni 50  $\Omega$ , tiek atskaņots signāls. Ja slēgums ir atvērts, displejā tiek rādīts "**OL**".

### DIODES TESTS

- Iestatiet funkcijas slēdzi zaļajā pozīcijā  $\rightarrow \rightarrow \rightarrow \Omega$  **CAP**.
- Ievietojiet melnā testa pievada banāna tipa spraudni negatīvajā COM ligzdā un ievietojiet sarkanā testa pievada banāna tipa spraudni pozitīvajā V ligzdā.
- Nospiediet pogu MODE, lai ekrānā parādītu " $\rightarrow \rightarrow \rightarrow$ " un **V**.
- Pieskarieties ar testa zondēm pie testējamās diodes. Tiešais spriegums parasti norādīs 0,400 līdz 0,700 V Pretspriegums norādīs "**OL**". Ierīces īsslēgumā tiks norādītas 0 V tuvumā, un atvērtas ierīces tiks norādītas kā "**OL**" abās polaritātēs.

## KAPACITĀTES MĒRĪŠANA

**BRĪDINĀJUMS!** Lai nepieļautu elektriskās strāvas triecienu, atvienojiet iekārtas, kura tiek testēta, barošanu un izlādējiet visus kondensatorus, pirms veicat kapacitātes mērīšanu. Izņemiet baterijas un atvienojiet vadus.

1. Iestatiet funkcijas slēdzi zaļajā pozīcijā  **Ω CAP**.
2. Ievietojiet melnā testa pievada banāna tipa spraudni negatīvajā COM līdzdā. Ievietojiet sarkanā testa pievada banāna tipa spraudni pozitīvajā V līdzdā.
3. Nospiediet pogu MODE, lai ekrānā parādītu "nF".
4. Pieskarities ar testa pievadiem kondensatoram, kuru vēlaties testēt.
5. Tests var aizņemt līdz 3 minūtēm vai ilgāk, uzlādējot lielus kondensatorus. Uzgaidiet, līdz rādījumi pārstāj svārstīties, pirms pārtraucat testēšanu.
6. Nolasiet displejā attēloto kapacitātes vērtību.

## 6. AUTOMĀTISKA/MANUĀLA DIAPAZONA IZVĒLE

Kad mērierīce tiek ieslēgta pirmo reizi, tā automātiski ieslēdz automātisko diapazonu izvēli. Tā automātiski atlasa piemērotāko diapazonu veiktajai mērīšanai un parasti ir labākais režīms, veicot vairumu mērīšanu. Mērīšanas situācijās, kur nepieciešams izvēlēties diapazonu manuāli, veiciet tālāk norādītās darbības.

1. Nospiediet pogu **RANGE**. Ekrāna indikators "**AUTO**" tiek izslēgts.
  2. Nospiediet pogu **RANGE**, lai no pieejamajiem diapazoniem izvēlētos vēlamo.
  3. Lai aizvērtu manuālās diapazonu izvēles režīmu un atgrieztos automātiskajā diapazonu izvēlē, turiet pogu **RANGE** nospiestu 2 sekundes.
- Piezīme.** Manuāla diapazonu izvēle neattiecas uz kapacitātes un frekvences funkcijām.

### FUNKCIJA "MAX/MIN"

**Piezīme.** Izmantojot funkciju "MAX/MIN" automātiskajā diapazonu izvēles režīmā, mērierīce "**bloķē**" diapazonu, kas tiek attēlots LCD ekrānā, kad tiek aktivizēta funkcija "MAX/MIN". Ja "MAX/MIN" rādījums pārsniedz šo diapazonu, ekrānā tiek attēlots "OL". Atlasiet vēlamo diapazonu, PIRMS ieslēdzat "MAX/MIN" režīmu.


1. Nospiediet pogu MAX/MIN, lai aktivizētu "MAX/MIN" ierakstīšanas režīmu. Tiek parādīta "MAX" ikona. Mērierīce parāda un patur maksimālo rādījumu un atjauno to tikai tad, kad tiek konstatēta jauna maksimālā vērtība.

2. Nospiediet pogu MAX/MIN vēlreiz, un ekrānā parādīsies ikona "MIN". Mērierīce parāda un patur minimālo rādījumu un atjauno to tikai tad, kad tiek konstatēta jauna minimālā vērtība.
3. Lai aizvērtu "MAX/MIN" režīmu, turiet pogu MAX/MIN nospiestu 2 sekundes.

## EKRĀNA FONĀ APGAISMOJUMS

Pozitīvs rādījums un fona apgaismojums, kad ierīce ir ieslēgta.

### REŽĪMS

Nospiediet pogu MODE, lai parādītu divkāršo pieejamo mērīšanas funkciju atlasī. Šī poga jo īpaši ir aktīva pozīcijā **V •  • CAP • Ω**, lai atlasītu pretestības testu, diodes testu, nepārtrauktības testu un kapacitātes testu, un strāvas pozīcijā, lai izvēlētos maiņstrāvas vai līdzstrāvas mērīšanu.

### PATURĒŠANA/LUKTURIS

Paturēšanas funkcija saglabā displejā redzamo rādījumu. Īslaicīgi nospiediet pogu HOLD, lai aktivizētu aiz aizvērtu funkciju HOLD. Nospiediet pogu HOLD ilgāk par 1 sekundi, lai ieslēgtu vai izslēgtu luktura funkciju. Lukturis tiek automātiski izslēgts pēc 5 minūtēm neaktivitātes.

### AUTOMĀTISKA IZSLĒGŠANA

Automātiskās izslēgšanas funkcija mērierīci izslēdz pēc apmēram 15 minūtēm. Lai atspējotu automātiskas izslēgšanas funkciju, turiet pogu MODE nospiestu, lai ieslēgtu mērierīci.

### ZEMA BATERIJU UZLĀDES LĪMEŅA INDIKATORS

Ikona  tiek parādīta displeja apakšējā kreisajā stūrī, ja bateriju uzlādes līmenis ir zems. Kad tā parādās, nomainiet baterijas.

## 7. Apkope

**BRĪDINĀJUMS!** Lai nepieļautu elektriskās strāvas triecienu, pirms aizmugurējā vāka vai bateriju vai drošinātāja nodalījumu vāka atvēršanas atvienojiet testa pievadus no visiem sprieguma avotiem.

**BRĪDINĀJUMS!** Lai novērstu elektriskās strāvas triecienu, neizmantojiet mērierīci, kamēr bateriju un drošinātāju nodalījuma vāks nav aizvērts un cieši nostiprināts.

Multimetrs ir izstrādāts tā, lai, ievērojot tālāk sniegtos norādījumus, ierīce uzticami darbotos gadiem ilgi.

1. GLABĀJIET MĒRIERĪCI SAUSUMĀ. Ja tā kļūst slapja, noslaukiet to.
2. IZMANTOJIET UN GLABĀJIET MĒRIERĪCI NORMĀLĀ TEMPERATŪRĀ. Ārkārtējas temperatūras var samazināt elektronisko daļu darbmūžu un deformēt vai izkausēt plastmasas daļas.
3. RĪKOJIETIES AR MĒRIERĪCI SAUDZĪGI UN UZMANĪGI. To nometot, var sabojāt elektroniskās daļas vai korpusu.
4. UZGLABĀJIET MĒRIERĪCI TĪRU. Ik pa laikam notīriet korpusu ar mitru drānu. NEIZMANTOJIET ķīmiskas vielas, tīrīšanas šķīdinātājus vai tīrīšanas līdzekļus.
5. IZMANTOJIET TIKAI PAREIZA IZMĒRA UN TIPA JAUNAS BATERIJAS. Izņemiet vecās vai izlietotās baterijas, lai tās nenoplūstu un nesabojātu ierīci.
6. JA MĒRIERĪCI IR PAREDZĒTS UZGLABĀT ILGĀKU LAIKA PERIODU, baterijas ir jāizņem, lai novērstu ierīces bojājumu rašanos.

## BATERIJU UZSTĀDĪŠANA

**BRĪDINĀJUMS!** Lai nepieļautu elektriskās strāvas triecienu, pirms baterijas nodalījuma vāka atvēršanas atvienojiet testa pievadus no visiem sprieguma avotiem.

1. Izslēdziet ierīci un atvienojiet testa pievadus no ierīces.
2. Atveriet aizmugurējo bateriju nodalījuma vāku, izskrūvējot skrūvi ar krustiņa skrūvgriezi.
3. Ievietojiet bateriju turētājā, ņemot vērā pareizo polaritāti.
4. Aizveriet baterijas nodalījuma vāku. Ieskrūvējiet skrūvi.

**BRĪDINĀJUMS!** Lai novērstu elektriskās strāvas triecienu, neizmantojiet mērierīci, kamēr bateriju nodalījuma vāks nav aizvērts un cieši nostiprināts.

**PIEZĪME.** Ja mērierīce nedarbojas pareizi, pārbaudiet drošinātājus un baterijas, lai pārliecinātos, vai tie joprojām ir derīgi un vai tie ir ievietoti pareizi.

## DROŠINĀTĀJU NOMAIŅA

**BRĪDINĀJUMS!** Lai nepieļautu elektriskās strāvas triecienu, pirms drošinātāju nodalījuma vāka atvēršanas atvienojiet testa pievadus no visiem sprieguma avotiem.

1. Atvienojiet testa pievadus no mērierīces.
2. Noņemiet baterijas nodalījuma vāku.

3. Saudzīgi izņemiet veco drošinātāju un uzstādiet jaunu drošinātāju turētājā.
4. Vienmēr izmantojiet pareiza izmēra un vērtības drošinātāju (0,5 A/600 V ātras darbības 600 mA diapazonam, 10 A/600 V ātras darbības 20 A diapazonam).
5. Nomainiet un nostipriniet aizmugurējo vāku, bateriju un baterijas nodalījuma vāku.

**BRĪDINĀJUMS!** Lai novērstu elektriskās strāvas triecienu, neizmantojiet mērierīci, kamēr drošinātāja nodalījuma vāks nav aizvērts un cieši nostiprināts.

## 8. Specifikācijas

Funkcija	Diapazons	Izšķirtspēja	Precizitāte
Līdzstrāvas spriegums	400mV	0.1mV	±(1,0 % rādījums + 5 cipari)
	4V	0.001V	±(1,0 % rādījums + 3 cipari)
	40V	0.01V	
	400V	0.1V	
	600V	1V	
Maiņstrāvas spriegums (50–60 Hz)	4V	0.001V	±(1,2 % rādījums + 3 cipari)
	40V	0.01V	
	400V	0.1V	
	600V	1V	
Visi maiņstrāvas sprieguma diapazoni ir norādīti no diapazona 5 % līdz 100 %			
Līdzstrāva	400µA	0.1µA	±(1,0 % rādījums + 3 cipari)
	4000µA	1µA	
	40mA	0.01mA	
	400mA	0.1mA	±(1,2 % rādījums + 3 cipari)
	4A	0.001A	
	10A	0.01A	
(20 A: maksimāli 30 sekundes ar samazinātu precizitāti)			


Maiņstrāva (50–60 Hz)	400µA	0.1µA	±(1,2 % rādījums + 3 cipari)
	4000µA	1µA	
	40mA	0.01mA	
	400mA	0.1mA	
	4A	0.001A	±(1,8 % rādījums + 5 cipari)
	10A	0.01A	
	[20 A: maksimāli 30 sekundes ar samazinātu precizitāti]		
Visi maiņstrāvas sprieguma diapazoni ir norādīti no diapazona 5 % līdz 100 %			

**PIEZĪME.** Precizitāte ir norādīta 18 °C līdz 28 °C (65 °F līdz 83 °F) temperatūrā un relatīvajā mitrumā, kas nepārsniedz 75 %.

Funkcija	Diapazons	Izšķirtspēja	Precizitāte
Pretestība	400Ω	0.1kΩ	±(1,5 % rādījums + 5 cipari)
	4kΩ	0.001kΩ	
	40kΩ	0.01kΩ	
	400kΩ	0.1kΩ	
	4MΩ	0.001MΩ	
Kapacitāte	40MΩ	0.01MΩ	±(2,5 % rādījums + 20 cipari)
	40nF	0.01nF	±(4,5 % rādījums + 10 cipari)
	400nF	0.1nF	
	4µF	0.001µF	±(3,0 % rādījums + 5 cipari)
	40µF	0.01µF	
	400µF	0.1µF	
Frekvence (elektriskā)	4000µF	1µF	±(5 % rādījums + 5 cipari)
	10.00-10KHz	0.01Hz	±(1,2 % rādījums)
Darba cikls	Jutīgums: 15 Vrms		±(1,2 % rādījums + 2 cipari)
	0.1 to 99.9%	0.1%	
	Impulsa platums: 100 µs–100 ms, frekvence: 5 Hz līdz 150 kHz		

**Piezīme.** Precizitātes specifikācijas ietver divus elementus:

- (% rādījums) – izmērītā slēguma precizitāte.
- (+ cipari) – analogā-digitalā pārveidotāja precizitāte.

<b>Korpuss</b>	Divkārsš lējums
<b>Pūrtuskindlus (kukkmiskatse)</b>	2 metri (6,5 pēdas)
<b>Diodes tests</b>	Maksimāli 1,5 mA testa strāva, tukšgaitas spriegums 3 V, parasti līdzstrāva
<b>Nepārtrauktības pārbaude</b>	Ja pretestība ir mazāka par aptuveni 50 Ω, testēšanas strāva ir mazāka par 0,35 mA, tiek atskaņots signāls
<b>Ieejas pilnā pretestība</b>	> 10 MΩ VDC un > 10 MΩ VAC
<b>Maiņstrāvas reakcija</b>	TRMS
<b>ACV joslas platumus</b>	50/60 Hz (MITTESINUSOIDAALNE); 45–1000 Hz (SINUSOID)
<b>Virsošnes koeficients</b>	≤3 pilnā mērogā līdz 300 V, kas lineāri samazinās līdz ≤1,5 pie 600 V
<b>Displejs</b>	Pozitīvie rādījumi līdz 3999
<b>Pārsniegta diapazona indikators</b>	Tiek parādīts "OL"
<b>Automātiska izslēgšana</b>	15 minūtes (aptuveni) ar atspējošanas funkciju
<b>Polaritāte</b>	Automātiska (pozitīvā polaritāte nav norādīta); mīnusa zīme (-) negatīvai polaritātei.
<b>Mērīšanas ātrums</b>	3 reizes sekundē, nomināli
<b>Zema bateriju uzlādes līmeņa indikators</b>	Ja baterijas spriegums nokrītās zemāk par darba spriegumu, tiek attēlots "  ".
<b>Baterija</b>	1,5 V AAA * 2 baterija
<b>Drošinātāji</b>	mA, µA diapazoni; 0,5 A 600 V keramikas, ātras darbības A diapazona; 10 A/600 V keramikas, ātras darbības
<b>Darba temperatūra</b>	No 5 °C līdz 40 °C (no 41 °F līdz 104 °F)
<b>Uzglabāšanas temperatūra</b>	No -4 °C līdz 140 °C (no -20 °F līdz 60 °F)
<b>Darba mitrums</b>	Maksimāli 80 % līdz 31 °C (87 °F), kas samazinās līdz 50 % pie 40 °C (104 °F)
<b>Mitrums uzglabāšanas laikā</b>	<80%
<b>Darba augstums virs jūras līmeņa</b>	Maksimāli 2000 metru (7000 pēdu)
<b>Svars</b>	342 g (0,753 mārciņas) (ieskaitot maksti).
<b>Izmērs</b>	(182 x 82 x 59 mm) (ieskaitot maksti)
<b>Drošība</b>	Šī mērierīce ir paredzēta lietošanai iekārtas sākuma punktā, un tā ir aizsargāta pret lietotāju ar divkārsšu izolāciju atbilstoši standartu EN61010-1 un IEC61010-1 2. izdevuma (2001), III kategoriju 600 V un II kategoriju 1000 V; piesārņojuma 2. pakāpe. Mērierīce atbilst arī standartiem UL 61010-1, 2. izdevumam (2004), CAN/CSA C22.2 Nr. 61010-1, 2. izdevumam (2004) un UL 61010B-2-031, 1. izdevumam (2003)

## 1. Įvadas

Šis matuoklis matuoja AC / DC įtampą, AC / DC srovę, varžą, elektrinę talpą, dažnį (elektros), tęstinumą ir atlieka diodų tikrinimą. Jis pagamintas vandeniui nepralaidžios, tvirtos konstrukcijos, skirtos naudoti sudėtingomis sąlygomis. Jei tinkamai naudosite šį matuoklį ir juo rūpinsitės, jis patikimai tarnaus daug metų.

### Sauga

Šis šalia kito simbolio, gnybto ar veikiančio prietaiso pateikiamas simbolis nurodo, kad operatorius turi vadovautis naudojimo instrukcijose pateiktu paaiškinimu, kad nesusižalotų ar nesugadintų matuoklio.

#### ĮSPĖJIMAS

Šis ĮSPĖJIMO simbolis nurodo galimai pavojingą situaciją, kurios neišvengus galima mirtinai ar sunkiai susižaloti.

#### PERSPĖJIMAS

Šis PERSPĖJIMO simbolis nurodo galimai pavojingą situaciją, kurios neišvengus galima sugadinti produktą.



Šiuo simboliu naudotojui nurodoma, kad taip pažymėto gnybto negalima jungti prie grandinės vietos, kurioje įtampa atitinkamo žemumo atžvilgiu viršija (šiuo atveju) 600 V AC arba V DC.



Šis šalia vieno ar daugiau gnybtų pateikiamas simbolis juos pažymi kaip susijusius su diapazonais, kurie (naudojant normaliai) gali būti veikiami ypač pavojingos įtampos. Didžiausiai saugai užtikrinti negalima imti už matuoklio ir jo tikrinimo laidų, kai šiais gnybtais teka srovė.



Šis simbolis nurodo, kad prietaisas yra apsaugotas dviguba izoliacija arba sutvirtinta izoliacija.

## 2. ATITINKA ĮRENGINIŲ VIRŠJAMPIO KATEGORIJĄ IEC1010

### I VIRŠJAMPIO KATEGORIJA

I VIRŠJAMPIO KATEGORIJOS įranga – tai įranga, skirta jungti prie grandinių, kuriose buvo imtasi priemonių pereinamiesiems viršjampiams riboti iki tinkamo žemo lygio.

Pastaba - Pavyzdžiai: apsaugotos elektroninės grandinės.

### II VIRŠJAMPIO KATEGORIJA

II VIRŠJAMPIO KATEGORIJOS įranga – tai energiją vartojanti įranga, kurią maitina fiksuotas montažas.

Pastaba - Pavyzdžiai: buitiniai, biuro ir laboratoriniai prietaisai.

### III VIRŠJAMPIO KATEGORIJA

III VIRŠJAMPIO KATEGORIJOS įranga – tai fiksuotose montazuose įtaisyta įranga.

Pastaba - Pavyzdžiai: jungikliai fiksuotame montaže ir tam tikra pramoniniam naudojimui skirta įranga su nuolatine jungtimi prie fiksuoto montažo.

### IV VIRŠJAMPIO KATEGORIJA

IV VIRŠJAMPIO KATEGORIJOS įranga yra skirta naudoti montažo vietoje.

Pastaba - Pavyzdžiai: elektros matuokliai ir pagrindinė apsaugos nuo viršjampio įranga.

## 3. SAUGOS NURODYMAI

Šis matuoklis yra saugus naudoti, tačiau jį būtina naudoti atsargiai. Kad juo naudotumėtės saugiai, būtinai laikykitės toliau pateiktų taisyklių.

3.1. **NIEKADA** matuoklio neveikite įtampa arba srove, kuri viršija nurodytą maksimalią vertę:

Įvesties apsauginės ribos	
Funkcija	Maksimali įvestis
V DC arba V AC	600 V DC / AC rms
mA AC / DC	500 mA, 600 V greitai perdegantis saugiklis
A AC / DC	10 A, 600 V greitai perdegantis saugiklis
Dažnis, varža, elektrinė talpa, diodų tikrinimas, tęstinumas	300 V DC / AC rms
Apsauga nuo viršjampio: maks. 6 kV pagal IEC 61010	

3.2. **ELKITĖS ITIN ATSARGIAI**, kai dirbate su aukšta įtampa.

3.3. **NEMATUOKITE** įtampos, jei įvesties lizdo COM įtampa yra 600 V didesnė iš žemumo įtampą.

3.4. **NIEKADA** nejunkite matuoklio laidų prie įtampos šaltinio, kol funkcijų jungiklis nustatytas į srovės, varžos ar diodų režimą. Antraip galite sugadinti matuoklį.

3.5. **VISADA** iškraukite filtrų kondensatorius maitinimo sistemose ir atjunkite maitinimą, kai atliekate varžos ar diodų tikrinimą.

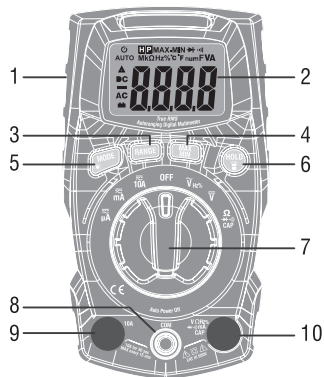
3.6. **VISADA** išjunkite maitinimą ir atjunkite tikrinimo laidus, prieš atidarydami dangtelius, kad galėtumėte pakeisti saugiklį ar baterijas.

3.7. **NIEKADA** nenaudokite matuoklio, kol patikimai neuždėjote galinio dangtelio ir neuždarėte baterijų ir saugiklių skyriaus dangtelių

3.8. Jei įranga naudojama gamintojo nenurodytu būdu, tai gali turėti poveikio jos suteikiamai apsaugai.

#### 4. Valdikliai ir lizdai

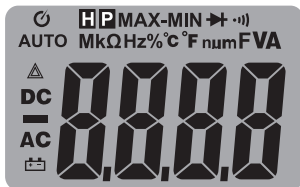
1. Baterijų skyriaus dangtelis
2. 4000 skystųjų kristalų elektroneigiamumo ekranas
3. DIAPAZONO mygtukas
4. MAX. / MIN. mygtukas
5. Režimo mygtukas
6. SAUGOJIMO ir žibintuvėlio mygtukas
7. Funkcijų jungiklis
8. COM įvesties lizdas
9. 10 A įvesties lizdas
10. Teigiamas, mA,  $\mu$ A įvesties lizdas



**Pastaba.** Pakreipiamas stovas ir baterijų skyrius yra prietaiso gale.

#### 5. Simboliai ir davikliai

- Automatinis maitinimo jungimas
- Tęstinumas
- Diodų tikrinimas
- Baterijų būsena
- nano (10-9) (elektrinė talpa)
- mikro (10-6) (amperai, elektrinė talpa)
- mili (10-3) (voltai, amperai)
- Amperai
- kilo (103) (omai)
- Faradai (elektrinė talpa)
- mega (106) (omai)
- Omiai
- Hercai (dažnis)
- Voltai



- Procentai (apkrovos koeficientas)
- Kintamoji srovė
- Automatinis diapazono nustatymas
- Nuolatinė srovė
- Rodinio laikymas
- Maksimali vertė
- Minimali vertė

#### Naudojimo instrukcijos

**ĮSPĖJIMAS.** Mirties nuo elektros srovės rizika. Aukštos įtampos grandinės (AC ir DC) kelia pavojų, todėl jas būtina matuoti labai atsargiai.

1. VISADA nustatykite funkcijų jungiklį į padėtį OFF (išjungta), kai matuoklio nenaudojate.
2. Jei matuojant ekrane pasirodo „OL“, vadinasi vertė viršija pasirinktą diapazoną. Pakeiskite į didesnę diapazoną.

#### DC ĮTAMPOS MATAVIMAI

**PERSPĖJIMAS.** Nematuokite DC įtampos, jei grandinėje esantis variklis ĮJUNGIAMAS arba IŠJUNGIAMAS. Tai gali sukelti didelius įtampos šuolius, kurie gali sugadinti matuoklį.

1. Funkcijų jungiklį nustatykite į žalios spalvos V DC padėtį.
2. Įkiškite juodą tikrinimo laido banano formos kištuką į COM lizdą. Įkiškite raudoną tikrinimo laido banano formos kištuką į teigiamą V lizdą.
3. Prilieskite juodą tikrinimo zondo galiuką prie grandinės neigiamos dalies. Prilieskite raudoną tikrinimo zondo galiuką prie grandinės teigiamos dalies.
4. Pažiūrėkite koks įtampos rodmuo matomas ekrane.

#### AC ĮTAMPOS (DAŽNIO, APKROVOS CIKLO) MATAVIMAI

**ĮSPĖJIMAS.** Mirties nuo elektros srovės rizika. Zondo galiukai gali būti nepakankamo ilgio, todėl nepasiekia dalių, kuriomis teka srovė. Šios dalys yra tam tikruose prietaisų 240 V lizduose, kadangi lizduose kontaktai yra įtaisyti giliai. Todėl rodmuo gali būti 0 voltų, kai lizde iš tiesų yra įtampa. Įsitinkinkite, kad zondo galiukai liečia metalinius kontaktus lizdo viduje, prieš padarydami prielaidą, kad įtampos nėra.

**PERSPĖJIMAS.** Nematuokite AC įtampos, jei grandinėje esantis variklis ĮJUNGIAMAS arba IŠJUNGIAMAS. Tai gali sukelti didelius įtampos šuolius, kurie gali sugadinti matuoklį.

1. Funkcijų jungiklį nustatykite į žalios spalvos V AC / Hz / % padėtį.
2. Įkiškite juodą tikrinimo laido banano formos kištuką į COM lizdą. Įkiškite raudoną tikrinimo laido banano formos kištuką į teigiamą V lizdą.
3. Prilieskite juodą tikrinimo zondo galiuką prie grandinės neutraliosios dalies. Prilieskite raudoną tikrinimo zondo galiuką prie grandinės dalies, kuria teka įtampa.

4. Pažiūrėkite koks įtampos rodmuo matomas ekrane.
5. Paspauskite HZ/% mygtuką, kad būtų parodyta „Hz“.
6. Pažiūrėkite koks dažnio rodmuo matomas ekrane.
7. Paspauskite Hz/% mygtuką dar kartą, kad būtų parodyta „%“.
8. Pažiūrėkite koks apkrovos ciklo % matomas ekrane.

## DC SROVĖS MATAVIMAI

**PERSPĖJIMAS.** Nematuoosite 20 A srovės ilgiau nei 30 sekundžių. Viršijus 30 sekundžių laiką, galima sugadinti matuoklį ir (arba) tikrinimo laidus.

1. Įkiškite juodą tikrinimo laido banano formos kištuką į COM lizdą.
2. Kai matuojate iki 6000μA DC srovę, funkcijų jungiklį nustatykite į geltoną μA padėtį ir įkiškite raudoną tikrinimo laido banano formos kištuką į μA/mA lizdą.
3. Kai matuojate iki 600 mA DC srovę, funkcijų jungiklį nustatykite į geltoną mA padėtį ir įkiškite raudoną tikrinimo laido banano formos kištuką į μA/mA lizdą.
4. Kai matuojate iki 20 A DC srovę, funkcijų jungiklį nustatykite į geltoną 10 A / HZ /% padėtį ir įkiškite raudoną tikrinimo laido banano formos kištuką į 10 A lizdą.
5. Paspauskite REŽIMO mygtuką, kad ekrane būtų parodyta „DC“.
6. Atjunkite tikrinamos grandinės maitinimą ir atidarykite grandinę tame taške, kuriame norite matuoti srovę.
7. Prilieskite juodą tikrinimo zondo galiuką prie grandinės neigiamos dalies. Prilieskite raudoną tikrinimo zondo galiuką prie grandinės teigiamos dalies.
8. Įjunkite grandinės maitinimą.
9. Pažiūrėkite koks srovės rodmuo matomas ekrane.

## AC SROVĖS (DAŽNIO, APKROVOS CIKLO) MATAVIMAI

**PERSPĖJIMAS.** Nematuoosite 20 A srovės ilgiau nei 30 sekundžių. Viršijus 30 sekundžių laiką, galima sugadinti matuoklį ir (arba) tikrinimo laidus.

1. Įkiškite juodą tikrinimo laido banano formos kištuką į COM lizdą.
2. Kai matuojate iki 6000 μA AC srovę, funkcijų jungiklį nustatykite į geltoną μA padėtį ir įkiškite raudoną tikrinimo laido banano formos kištuką į μA/mA lizdą.
3. Kai matuojate iki 600 mA AC srovę, funkcijų jungiklį nustatykite į geltoną mA padėtį ir įkiškite raudoną tikrinimo laido banano formos kištuką į μA/mA lizdą.

4. Kai matuojate iki 20 A AC srovę, funkcijų jungiklį nustatykite į geltoną 10 A / HZ /% padėtį ir įkiškite raudoną tikrinimo laido banano formos kištuką į 10 A lizdą.
5. Paspauskite REŽIMO mygtuką, kad ekrane būtų parodyta „AC“.
6. Atjunkite tikrinamos grandinės maitinimą ir atidarykite grandinę tame taške, kuriame norite matuoti srovę.
7. Prilieskite juodą tikrinimo zondo galiuką prie grandinės neutraliosios dalies. Prilieskite raudoną tikrinimo zondo galiuką prie grandinės dalies, kuria teka įtampa.
8. Įjunkite grandinės maitinimą.
9. Pažiūrėkite koks srovės rodmuo matomas ekrane.

## VARŽOS MATAVIMAI

**ĮSPĖJIMAS.** Kad išvengtumėte elektros smūgio, prieš atlikdami varžos matavimus, atjunkite tikrinamo įrenginio maitinimą ir iškraukite visus kondensatorius. Išimkite baterijas ir atjunkite linijos laidus.

1. Funkcijų jungiklį nustatykite į žalios spalvos  $\rightarrow \rightarrow \Omega$  CAP padėtį. Įkiškite juodą tikrinimo laido banano formos kištuką į COM lizdą. Įkiškite raudoną tikrinimo laido banano formos kištuką į teigiamą  $\Omega$  lizdą.
2. Paspauskite REŽIMO mygtuką, kad ekrane būtų parodyta „ $\Omega$ “.
3. Prilieskite tikrinimo zondo galiukus prie tikrinamos grandinės arba dalies. Geriausia atjungti vieną tikrinamos dalies pusę, kad likusi grandinės dalis netrukdytų gauti varžos rodmenį.
4. Pažiūrėkite koks varžos rodmuo matomas ekrane.

## TĘSTINUMO PATIKRA

**ĮSPĖJIMAS.** Kad išvengtumėte elektros smūgio, niekada nematuokite tęstinumo grandinėse ar laiduose, kuriais teka aukšta įtampa.

1. Funkcijų jungiklį nustatykite į žalios spalvos  $\rightarrow \rightarrow \Omega$  CAP padėtį.
2. Įkiškite juodą laido banano formos kištuką į COM lizdą. Įkiškite raudoną tikrinimo laido banano formos kištuką į teigiamą  $\Omega$  lizdą.
3. Paspauskite REŽIMO mygtuką, kad ekrane būtų parodyta „ $\rightarrow \rightarrow \Omega$ “ ir „ $\Omega$ “.
4. Tikrinimo zondo galiukais prilieskite norimą tikrinti grandinę arba laidą.
5. Jei varža mažesnė nei maždaug 50 $\Omega$ , pasigirs garsinis signalas. Jei grandinė atvira, ekrane bus rodoma „OL“.

## DIODŲ TIKRINIMAS

1. Funkcijų jungiklį nustatykite į žalios spalvos  $\rightarrow \cdot \cdot \cdot \Omega$  CAP padėtį.
2. Įkiškite juodą tikrinimo laido banano formos kištuką į neigiamą COM lizdą, o raudoną tikrinimo laido banano formos kištuką į teigiamą V lizdą.
3. Paspauskite REŽIMO mygtuką, kad ekrane būtų parodyta „ $\rightarrow$ “ ir V.
4. Tikrinimo zondais palieskite tikrinamą diodą. Esant pirmyn tekančiai įtampai bus rodoma 0,400–0,700 V. Esant atgal tekančiai įtampai bus rodoma „OLOL“. Prietaisų, kuriems kilęs trumpasis jungimas, įtampa bus artima 0 V, o atviro prietaiso abiejų polių įtampa bus rodoma kaip „OL“.

## ELEKTRINĖS TALPOS MATAVIMAI

**ĮSPĖJIMAS.** Kad išvengtumėte elektros smūgio, prieš atlikdami elektrinės talpos matavimus, atjunkite tikrinamo įrenginio maitinimą ir iškraukite visus kondensatorius. Išimkite baterijas ir atjunkite linijos laidus.

1. Sukamąjį funkcijų jungiklį nustatykite į žalios spalvos  $\rightarrow \cdot \cdot \cdot \Omega$  CAP padėtį.
2. Įkiškite juodą tikrinimo laido banano formos kištuką į COM lizdą. Įkiškite raudoną tikrinimo laido banano formos kištuką į teigiamą V lizdą.
3. Paspauskite REŽIMO mygtuką, kad ekrane būtų parodyta „nF“.
4. Palieskite tikrintino laidininko tikrinimo laidus.
5. Tikrinimas gali užtrukti 3 minutes ar ilgiau (didelių laidininkų). Prieš baigdami tikrinimą palaukite, kol rodmėnis nusistovės.
6. Pažiūrėkite koks elektrinės talpos rodmuo matomas ekrane.

## 6. AUTOMATINIS DIAPAZONO NUSTATYMAS / RANKINIS DIAPAZONO PASIRINKIMAS

Matuoklį įjungiant pirmą kartą, jis automatiškai persijungia į automatinį diapazono nustatymą. Automatiškai parenkamas atliekamiems matavimams geriausias diapazonas – paprastai tai geriausias režimas daugeliui matavimų. Kai atliksite matavimus, kuriems reikia rankiniu būdu pasirinkti diapazoną, atlikite toliau nurodytus veiksmus.

1. Paspauskite **DIAPAZONO** klavišą. Ekranu indikatorius „AUTO“ išsijungs.
2. Paspauskite **DIAPAZONO** klavišą, kad pereitumėte per prieinamus diapazonus ir pasirinktumėte norimą diapazoną.
3. Jei norite išeiti iš rankinio diapazono nustatymo režimo ir grįžti į automatinį diapazono nustatymo režimą, paspaudę palaikykite **DIAPAZONO** klavišą 2 sekundes.

**Pastaba.** Rankinis diapazono nustatymas netaikomas elektrinės talpos ir dažnio funkcijoms.

## MAX. / MIN.

**Pastaba.** Automatinio diapazono nustatymo režimu naudojant MAKS. / MIN. funkciją, matuoklis „užsirakins“ diapazone, kuris rodomas skystųjų kristalų ekrane suaktyvinant MAKS. / MIN. režimą. Jei MAKS. / MIN. rodmuo viršys tą diapazoną, ekrane bus rodoma „OL“. PRIEŠ įjungdami MAKS. / MIN. režimą, pasirinkite norimą diapazoną.

1. Paspauskite MAKS. / MIN. klavišą, kad suaktyvintumėte MAKS. / MIN. įrašymo režimą. Atsiras ekrano piktograma „MAKS.“. Matuoklis parodys ir saugos maksimalų rodmėnį, jį atnaujins tik tada, kai atsiras nauja maks. vertė.
2. Paspauskite MAKS. / MIN. klavišą dar kartą, bus parodyta ekrano piktograma „MIN.“. Matuoklis parodys ir saugos minimalų rodmėnį, jį atnaujins tik tada, kai atsiras nauja min. vertė.
3. Norėdami išjungti MAKS. / MIN. režimą, paspaudę palaikykite MAKS. / MIN. klavišą 2 sekundes.

## EKRANO FONINIS APŠVIETIMAS

Įjungiant prietaisą, įjungiamas teigiamas rodmėnis ir foninis apšvietimas.

## REŽIMAS

Paspaudus REŽIMO klavišą, galima pasirinkti iš ekrane rodomų dvigubai išmatuotų funkcijų. Šis klavišas yra suaktyvintas **V •  $\rightarrow$  • CAP •  $\Omega$**  padėtyje, kad būtų galima pasirinkti iš varžos, diodų, tęstinumo ir elektrinės talpos tikrinimo, ir dabartinėje padėtyje, kad būtų galima pasirinkti iš AC arba DC srovės matavimų.


## SAUGOJIMAS / ŽIBINTUVĖLIS

Saugojimo funkcija „išaldo“ rodmėnį ekrane. Paspauskite SAUGOJIMO klavišą, kad suaktyvintumėte arba išjungtumėte SAUGOJIMO funkciją. Paspauskite SAUGOJIMO klavišą > 1 sekundę, kad įjungtumėte arba išjungtumėte ŽIBINTUVĖLIO funkciją. Žibintuvėlis automatiškai IŠSIJUNGS po 5 minučių, kai nebus atliekama jokių veiksmų.

## AUTOMATINIS MAITINIMO IŠJUNGIMAS

Automatinio išjungimo funkcija išjungs matuoklį po 15 minučių. Norėdami išjungti automatinio išjungimo funkciją, palaikykite REŽIMO mygtuką nuspauستą ir įjunkite matuoklį.

## ŽEMOS BATERIJOS ĮKROVOS INDIKACIJA

Ekranu apatiniame kairiajame kampe atsiras  piktograma, kai baterijos įtampa taps žema. Jai pasirodžius, pakeiskite bateriją.

## 7. Priežiūra

**ĮSPĖJIMAS.** Kad išvengtumėte elektros smūgio, prieš nuimdami galinį dangtelį ir baterijų ir saugiklių skyriaus dangtelius, atjunkite tikrinimo laidus nuo visų įtampos šaltinių.

**ĮSPĖJIMAS.** Kad išvengtumėte elektros smūgio, nenaudokite matuoklio, kol tinkamai neuždėjote ir neužfiksavote baterijų ir saugiklių skyriaus dangtelių.

Šis multimetras suprojektuotas taip, kad patikimai tarnautų daugybę metų, jei bus laikomasi pateiktų nurodymų.

1. **MATUOKLĮ LAIKYKITE SAUSAI.** Jam sudrėkus, jį sausiai nušluostykite.
2. **MATUOKLĮ NAUDOKITE IR LAIKYKITE NORMALIOJE TEMPERATŪROJE.** Dėl labai aukštos ar žemos temperatūros gali sutrumpėti elektroninių dalių naudojimo trukmė arba gali būti sugadintos ar išsilydyti plastikinės dalys.
3. **SU MATUOKLIU ELKITĖS ŠVELNIAI IR ATSARGIAI.** Jį numetus, gali būti sugadintos elektroninės dalys ar korpusas.
4. **MATUOKLĮ LAIKYKITE ŠVARŲ.** Kartais nuvalykite korpusą drėgna šluoste. **NENAUDOKITE** chemikalų, valymo tirpiklių ar ploviklių.
5. **NAUDOKITE TIK REKOMENDUOJAMO DYDŽIO IR TIPO NAUJAS BATERIJAS.** Išimkite senas ar nusilpusias baterijas, kad jos nepratekėtų ir nesugadintų prietaiso.
6. **JEI MATUOKLĮ REIKIA LAIKYTI NENAUDOJAMĄ ILGĄ LAIKĄ,** baterijas reikia išimti, kad nebūtų sugadintas prietaisas.

### BATERIJŲ ĮDĖJIMAS

**ĮSPĖJIMAS.** Kad išvengtumėte elektros smūgio, prieš nuimdami baterijų skyriaus dangtelį, atjunkite tikrinimo laidus nuo visų įtampos šaltinių.

1. Išjunkite maitinimą ir atjunkite tikrinimo laidus nuo matuoklio.
2. Plokščiu atsuktuvu atsukite varžtą ir atidarykite galinį baterijų skyriaus dangtelį.
3. Įdėkite bateriją į laikiklį, laikydamiesi tinkamo poliškumo.
4. Atgal uždėkite baterijų skyriaus dangtelį. Prisukite varžtus.

**ĮSPĖJIMAS.** Kad išvengtumėte elektros smūgio, nenaudokite matuoklio, kol tinkamai neuždėjote ir neužfiksavote baterijų skyriaus dangtelių.

**PASTABA.** Jei matuoklis tinkamai neveikia, patikrinkite saugiklius ir baterijas, kad įsitikintumėte, jog jie vis dar tinkami naudoti ir yra tinkamai įdėti.

## SAUGIKLIŲ KEITIMAS

**ĮSPĖJIMAS.** Kad išvengtumėte elektros smūgio, prieš nuimdami saugiklių skyriaus dangtelį, atjunkite tikrinimo laidus nuo visų įtampos šaltinių.

1. Atjunkite tikrinimo laidus nuo matuoklio.
2. Nuimkite baterijų skyriaus dangtelį.
3. Švelniai išimkite seną saugiklį ir į laikiklį įdėkite naują.
4. Visada naudokite tinkamo dydžio ir vertės saugiklį (0,5 A / 600 V greitai perdegantį saugiklį 600 mV diapazonui, 10 A / 600 V greitai perdegantį saugiklį 20 A diapazonui).
5. Uždėkite ir pritvirtinkite galinį dangtelį, baterijas ir baterijų skyriaus dangtelį.

**ĮSPĖJIMAS.** Kad išvengtumėte elektros smūgio, nenaudokite matuoklio, kol tinkamai neuždėjote ir neužfiksavote saugiklių skyriaus dangtelių.

## 8. Specifikacijos

Funkcija	Diapazonas	Skyra	Tikslumas
DC įtampa	400mV	0.1mV	± (1,0 % rodmens + 5 skaitmenys)
	4V	0.001V	
	40V	0.01V	± (1,0 % rodmens + 3 skaitmenys)
	400V	0.1V	
	600V	1V	
AC įtampa (50–60 Hz)	4V	0.001V	± (1,2 % rodmens + 3 skaitmenys)
	40V	0.01V	
	400V	0.1V	
	600V	1V	
Visi AC įtampos diapazonai nurodyti nuo 5 iki 100 % diapazone			
DC srovė	400µA	0.1µA	± (1,0 % rodmens + 3 skaitmenys)
	4000µA	1µA	
	40mA	0.01mA	
	400mA	0.1mA	± (1,2 % rodmens + 3 skaitmenys)
	4A	0.001A	
	10A	0.01A	
	(20 A: maks. 30 sek., esant mažesniai tikslumui)		

AC srovė (50–60 Hz)	400µA	0.1µA	± (1,2 % rodmenys + 3 skaitmenys)
	4000µA	1µA	
	40mA	0.01mA	
	400mA	0.1mA	
	4A	0.001A	± (1,8 % rodmenys + 5 skaitmenys)
	10A	0.01A	
	(20 A: maks. 30 sek., esant mažesniai tikslumui)		
Visi AC įtampos diapazonai nurodyti nuo 5 iki 100 % diapazone			

**PASTABA.** Tikslumas nurodytas esant nuo 65 °F iki 83 °F (nuo 18 °C iki 28 °C) temperatūrai ir mažesniai nei 75 % SD.

Funkcija	Diapazonas	Skyra	Tikslumas
Varža	400Ω	0.1kΩ	± (1,5 % rodmenys + 5 skaitmenys)
	4kΩ	0.001kΩ	
	40kΩ	0.01kΩ	
	400kΩ	0.1kΩ	
	4MΩ	0.001MΩ	
Talpa	40MΩ	0.01MΩ	± (2,5 % rodmenys + 20 skaitmenų)
	40nF	0.01nF	± (4,5 % rodmenys + 10 skaitmenų)
	400nF	0.1nF	
	4µF	0.001µF	± (30 % rodmenys + 5 skaitmenys)
	40µF	0.01µF	
	400µF	0.1µF	
Dažnis (elektros)	4000µF	1µF	± (5 % rodmenys + 5 skaitmenys)
	10.00-10KHz	0.01Hz	± (1,2 % rodmenys)
	Jautrumas: 15 V rms		
Apkrovos ciklas	0.1 to 99.9%	0.1%	± (1,2 % rodmenys + 2 skaitmenys)
	Impulso plotis: 100µs -- 100 ms, dažnis: 5 Hz – 150 kHz		

**Pastaba.** Tikslumo specifikacijos sudaro du elementai:

- (% rodmenys – tai yra matavimo grandinės tikslumas.
- (+ skaitmenys) – tai yra keitimo iš analoginių į skaitmenines vertes tikslumas.

<b>Gaubtas</b>	Išlietas su dvigubomis sienelėmis
<b>Smūgis (metimo bandymas)</b>	6,5 pėd. (2 m)
<b>Diodų tikrinimas</b>	Didžiausia tikrinimo srovė – 1,5 mA, įprastinė atviros grandinės įtampa – 3 V DC.
<b>Tęstinumo patikra</b>	Jei varža yra mažesnė nei maždaug 50 Ω, kai tikrinimo srovė yra < 0,35 mA, pasigirs garsinis signalas.
<b>Įvedama varža</b>	> 10 MΩ VDC ir > 10 MΩ VAC
<b>AC atsakas</b>	TRMS
<b>AC V dažnių juostos plotis</b>	50/60 Hz (VISOS BANGOS), 45–1000 Hz (SINUSINĖ BANGA)
<b>Amplitudės koeficientas</b>	≤3, esant visai skalei iki 300 V, mažėjančiam linijiskumui iki ≤1,5, esant 600 V
<b>Ekranas</b>	4000 sk. kr., teigiamas ekranas
<b>Viršyto diapazono indikacija</b>	Rodoma „OL“
<b>Automatinis maitinimo išjungimas</b>	15 minučių (maždaug), naudojant išjungimo funkciją
<b>Poliškumas</b>	Automatinis (nėra jokios teigiamo poliškumo indikacijos); minuso (-) ženklas rodo neigiamą poliškumą
<b>Matavimo dažnis</b>	3 k. per sekundę, nominalus
<b>Žemos baterijos įkrovos indikacija</b>	Baterijų įtampai sumažėjus žemiau veikimo įtampos, rodoma „ $\frac{+}{-}$ “.
<b>Baterija</b>	1,5 V AAA * 2 baterijos
<b>Saugikliai</b>	mA, µA diapazonas; 0,5 A, 600 V keramikinis, greitai perdegantis, A diapazono; 10 A / 600 V keramikinis, greitai perdegantis
<b>Darbinė temperatūra</b>	Nuo 41 °F iki 104 °F (nuo 5 °C iki 40 °C)
<b>Laikymo temperatūra</b>	Nuo -4 °F iki 140 °F (nuo -20 °C iki 60 °C)
<b>Darbinis drėgnis</b>	Maks. 80 %, esant iki 87 °F (31 °C), mažėjantis linijiskumas iki 50 %, esant 104 °F (40 °C)
<b>Laikymo drėgnis</b>	<80%
<b>Darbinis aukštis</b>	7000 pėd. (2000 m) (maks.)
<b>Svoris</b>	0,753 sv. (342 g) (įskaitant dėklą)
<b>Matmenys</b>	(182 x 82 x 59 mm) (įskaitant dėklą)
<b>Sauga</b>	Šis matuoklis yra skirtas naudoti nurodytoje montavimo vietoje ir yra apsaugotas nuo naudotojų dviguba izoliacija pagal EN61010-1 ir IEC61010-1 2-ąją leidimą (2001 m.), III kategoriją (600 V) ir II kategoriją (1000 V); atitinka 2 taršos lygį. Matuoklis taip pat atitinka UL 61010-1, 2-ąją leidimą (2004 m.), CAN/CSA C22.2 nr. 61010-1 2-ąją leidimą (2004 m.) ir UL 61010B-2-031,1-ąją leidimą (2003 m.).

## 1. Wprowadzenie

Miernik mierzy napięcie AC/DC, natężenie prądu AC/DC, rezystancję, pojemność, częstotliwość (elektryczną), test diody i ciągłość. Charakteryzuje się wodoodporną, wytrzymałą konstrukcją do pracy w ciężkich warunkach. Właściwe użytkowanie i pielęgnacja termometru zapewni wiele lat niezawodnej pracy.

### Bezpieczeństwo

Ten symbol przylegający do innego symbolu, zacisku lub urządzenia oznacza, że użytkownik musi zapoznać się z objaśnieniami zawartymi w instrukcji obsługi, aby uniknąć obrażeń ciała lub uszkodzenia miernika.

#### OSTRZEŻENIE

Ten symbol OSTRZEŻENIA oznacza potencjalnie niebezpieczną sytuację, która – jeśli nie zostanie uniknięta – może prowadzić do śmierci lub poważnych obrażeń ciała.

#### UWAGA

Ten symbol UWAGI wskazuje na potencjalnie niebezpieczną sytuację, która może spowodować uszkodzenie produktu, jeśli nie uda się jej uniknąć.



Ten symbol informuje użytkownika, że tak oznaczone zaciski nie mogą być podłączone do punktu obwodu, w którym napięcie względem uziemienia przekracza (w tym przypadku) 600 V AC lub V DC.



Ten symbol przylegający do jednego lub kilku zacisków oznacza, że są one związane z zakresami, które podczas normalnego użytkowania mogą być narażone na szczególnie niebezpieczne napięcia. Dla maksymalnego bezpieczeństwa miernik i jego przewody pomiarowe nie powinny być obsługiwane, gdy te zaciski są pod napięciem



Ten symbol oznacza, że urządzenie jest zabezpieczone za pomocą podwójnej izolacji lub wzmocnionej izolacji.

## 2. ZGODNIE Z KATEGORIĄ PRZEPIĘCIOWĄ INSTALACJI NORMY IEC1010

### KATEGORIA PRZEPIĘCIOWA I

Sprzęt KATEGORII PRZEPIĘCIOWEJ I to urządzenia do łączenia z obwodami, w których podejmowane są działania ograniczające przepięcia przejściowe do odpowiednio niskiego poziomu.

Uwaga – Przykłady obejmują zabezpieczone obwody elektroniczne.

### KATEGORIA PRZEPIĘCIOWA II

Sprzęt KATEGORII PRZEPIĘCIOWEJ II to urządzenia energochłonne, które mają być zasilane ze stałej instalacji.

Uwaga – Przykłady obejmują urządzenia domowe, biurowe i laboratoryjne.

### KATEGORIA PRZEPIĘCIOWA III

Sprzęt KATEGORII PRZEPIĘCIOWEJ III to urządzenia w instalacjach stałych.

Uwaga – Przykładem mogą być przełączniki w instalacji stałej oraz niektóre urządzenia do użytku przemysłowego ze stałym podłączeniem do instalacji stałej.

### KATEGORIA PRZEPIĘCIOWA IV

Sprzęt KATEGORII PRZEPIĘCIOWEJ IV jest przeznaczony do użytku w miejscu rozpoczęcia instalacji.

Uwaga – Przykłady obejmują liczniki energii elektrycznej i podstawowe zabezpieczenia przeciwprzepięciowe.

## 3. INSTRUKCJE DOTYCZĄCE BEZPIECZEŃSTWA

Miernik zaprojektowano z myślą o bezpiecznym użytkowaniu, ale musi być obsługiwany z zachowaniem ostrożności. Aby zapewnić bezpieczną eksploatację, należy ściśle przestrzegać poniższych zasad.

3.1. **NIGDY** nie przykładaj do miernika napięcia ani prądu, który przekraczałby określone wartości maksymalne:

Wartości graniczne zabezpieczające wejście	
Funkcja	Maksymalne wejście
V DC lub V AC	600 V DC/AC rms
mA AC/DC	500 mA 600 V, szybko działający bezpiecznik
A AC/DC	10 A 600 V, szybko działający bezpiecznik
Częstotliwość, rezystancja, pojemność, test diody, ciągłość	300 V DC/AC rms
Ochrona przeciwprzepięciowa: Wartość szczytowa 6 kV zgodnie z IEC 61010	

3.2. Podczas pracy z wysokim napięciem należy **ZACHOWAĆ SZCZEGÓLNĄ OSTROŻNOŚĆ**.

3.3. **NIE** mierz napięcia, jeżeli napięcie na gnieździe wejściowym „COM” przekracza 600 V powyżej uziemienia.

3.4. **NIGDY** nie podłączać przewodów miernika przez źródło napięcia, gdy przełącznik funkcji znajduje się w trybie natężenia prądu, rezystancji lub diody. Może to spowodować uszkodzenie miernika.

3.5. **ZAWSZE** rozładować kondensatory filtra w zasilaczach i odłączyć zasilanie przy wykonywaniu testów rezystancji i diody.

3.6. **ZAWSZE** wyłączać zasilanie i odłączać przewody testowe przed otwarciem osłon, aby wymienić bezpiecznik lub baterie.

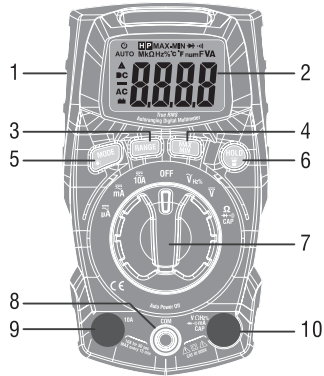
3.7. **NIGDY** nie obsługiwać miernika, jeśli tylna osłona i osłona baterii i bezpieczników nie są założone i pewnie zamocowane.

3.8. Jeżeli urządzenie jest używane w sposób nieokreślony przez producenta, może to mieć negatywny wpływ na ochronę zapewnianą urządzeniem.

## 4. Elementy sterujące i gniazda jack

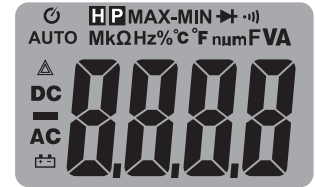
1. Pokrywa baterii
2. Zliczający do 4000 wyświetlacz LCD
3. Przycisk RANGE
4. Przycisk MAX/MIN
5. Przycisk trybu pracy
6. Przycisk HOLD i latarki
7. Przełącznik funkcji
8. Gniazdo wejściowe COM
9. Gniazda wejściowe 10 A
10. Gniazda wejściowe dodatnie, mA,  $\mu$ A

**Uwaga:** Podstawa uchylna i komora baterii znajdują się z tyłu urządzenia.



## 5. Symbole i wskaźniki zgodności

- Automatyczne włączanie
- Ciągłość
- Test diody
- Stan baterii
- $n$  nano (10<sup>-9</sup>) (pojemność)
- $\mu$  mikro (10<sup>-6</sup>) (ampery, pojemność)
- $m$  mili (10<sup>-3</sup>) (wołty, ampery)
- A** Ampery
- K** kilo (10<sup>3</sup>) (omy)
- F** Farady (pojemność)
- M** mega (10<sup>6</sup>) (omy)
- $\Omega$  Omy
- Hz** Herce (częstotliwość)
- V** Wołty
- %** Wartość procentowa (cykl pracy)



- AC** Prąd przemienny
- AUTO** Automatyczny zakres
- DC** Prąd stały
- HOLD** Uchwyt wyświetlacza
- MAX** Maksimum
- MIN** Minimum

### Instrukcja obsługi

**OSTRZEŻENIE:** Ryzyko porażenia prądem. Obwody wysokiego napięcia, zarówno AC, jak i DC, są bardzo niebezpieczne i powinny być mierzone z dużą ostrożnością.

1. **ZAWSZE** ustawiać przełącznik funkcji w pozycji OFF, gdy miernik nie jest używany.
2. Jeśli podczas pomiaru na wyświetlaczu pojawi się napis „OL”, dana wartość przekracza wybrany zakres. Należy zmienić zakres na wyższy.

### POMIARY NAPIĘCIA PRĄDU STAŁEGO

**UWAGA:** Nie należy mierzyć napięcia DC, jeśli silnik w obwodzie jest włączany lub wyłączany. Mogą wystąpić duże skoki napięcia, które mogą spowodować uszkodzenie miernika.

1. Przełącznik funkcji ustawić w zielonym położeniu V DC.

2. Włożyć wtyczkę bananową czarnego przewodu pomiarowego do ujemnego gniazda COM. Włożyć wtyczkę bananową czerwonego przewodu pomiarowego do dodatniego gniazda V.
3. Dotknąć końcówką czarnej sondy pomiarowej do ujemnej strony obwodu. Dotknąć końcówką czerwonej sondy pomiarowej do dodatniej strony obwodu.
4. Odczytać napięcie na wyświetlaczu.

### POMIARY NAPIĘCIA AC (CZĘSTOTLIWOŚĆ, CYKL PRACY)

**OSTRZEŻENIE:** Ryzyko porażenia prądem. Końcówki sondy mogą nie być wystarczająco długie, aby dotknąć elementów pod napięciem wewnątrz niektórych gniazdek urządzeń 240 V, ponieważ styki są wpuszczone głęboko w gniazda. W rezultacie odczyt może wskazywać 0 V, gdy gniazdo jest rzeczywiście pod napięciem. Przed założeniem braku napięcia należy upewnić się, że końcówki sondy dotykają metalowych styków wewnątrz gniazda.

**UWAGA:** Nie należy mierzyć napięcia AC, jeśli silnik w obwodzie jest włączany lub wyłączany. Mogą wystąpić duże skoki napięcia, które mogą spowodować uszkodzenie miernika.

1. Przełącznik funkcji ustawić w zielonym położeniu VAC/Hz/%.
2. Włożyć wtyczkę bananową czarnego przewodu pomiarowego do ujemnego gniazda COM. Włożyć wtyczkę bananową czerwonego przewodu pomiarowego do dodatniego gniazda V.
3. Dotknąć końcówką czarnej sondy pomiarowej do neutralnej strony obwodu. Dotknąć końcówką czerwonej sondy pomiarowej do strony obwodu pod napięciem.

### POMIARY NATĘŻENIA PRĄDU STAŁEGO

**UWAGA:** Nie należy dokonywać pomiarów natężenia prądu 20 A przez okres dłuższy niż 30 sekund. Przekroczenie 30 sekund może spowodować uszkodzenie miernika i/lub przewodów pomiarowych.

1. Włożyć wtyczkę bananową czarnego przewodu pomiarowego do ujemnego gniazda COM.
2. W przypadku pomiaru prądu do 6000µA DC należy ustawić przełącznik funkcji do żółtego położenia µA i włożyć wtyczkę bananową czerwonego przewodu pomiarowego do gniazda µA/mA.

3. W przypadku pomiaru prądu do 600 mA DC należy ustawić przełącznik funkcji do żółtego położenia mA i włożyć wtyczkę bananową czerwonego przewodu pomiarowego do gniazda µA/mA.
4. W przypadku pomiaru prądu do 20 A DC należy ustawić przełącznik funkcji w położeniu 10 A/Hz/% i włożyć wtyczkę bananową czerwonego przewodu pomiarowego do gniazda 10 A.
5. Nacisnąć przycisk MODE, aby wskazać „DC” na wyświetlaczu.
6. Odłączyć zasilanie od badanego obwodu, a następnie otworzyć obwód w miejscu, w którym zamierza się zmierzyć natężenie prądu.
7. Dotknąć końcówką czarnej sondy pomiarowej do ujemnej strony obwodu. Dotknąć końcówką czerwonej sondy pomiarowej do dodatniej strony obwodu.
8. Podłączyć zasilanie do obwodu.
9. Odczytać natężenie prądu na wyświetlaczu.

### POMIARY NATĘŻENIA PRĄDU PRZEMIENNEGO (CZĘSTOTLIWOŚĆ, CYKL PRACY)

**UWAGA:** Nie należy dokonywać pomiarów natężenia prądu 20 A przez okres dłuższy niż 30 sekund. Przekroczenie 30 sekund może spowodować uszkodzenie miernika i/lub przewodów pomiarowych.

1. Włożyć wtyczkę bananową czarnego przewodu pomiarowego do ujemnego gniazda COM.
2. W przypadku pomiaru prądu do 6000µA AC należy ustawić przełącznik funkcji do żółtego położenia µA i włożyć wtyczkę bananową czerwonego przewodu pomiarowego do gniazda µA/mA.
3. W przypadku pomiaru prądu do 600 mA AC należy ustawić przełącznik funkcji do żółtego położenia mA i włożyć wtyczkę bananową czerwonego przewodu pomiarowego do gniazda µA/mA.
4. W przypadku pomiaru prądu do 20 A AC należy ustawić przełącznik funkcji w położeniu 10A/Hz/% i włożyć do bananową czerwonego przewodu pomiarowego do gniazda 10 A.
5. Nacisnąć przycisk MODE, aby wskazać „AC” na wyświetlaczu.
6. Odłączyć zasilanie od badanego obwodu, a następnie otworzyć obwód w miejscu, w którym zamierza się zmierzyć natężenie prądu.
7. Dotknąć końcówką czarnej sondy pomiarowej do neutralnej strony obwodu. Dotknąć końcówką czerwonej sondy pomiarowej do strony obwodu pod napięciem.
8. Podłączyć zasilanie do obwodu.
9. Odczytać natężenie prądu na wyświetlaczu.

## POMIARY REZYSTANCJI

**OSTRZEŻENIE:** Aby uniknąć porażenia prądem elektrycznym, przed wykonaniem jakichkolwiek pomiarów rezystancji należy odłączyć zasilanie testowanego urządzenia i rozładować wszystkie kondensatory. Wyjąć baterie i odłączyć przewody.

1. Przełącznik funkcji ustawić w zielonym położeniu ➔ **Ω CAP**. Włożyć wtyczkę bananową czarnego przewodu pomiarowego do ujemnego gniazda COM. Włożyć wtyczkę bananową czerwonego przewodu pomiarowego do dodatniego gniazda Ω.
2. Nacisnąć przycisk MODE, aby wskazać „Ω” na wyświetlaczu.
3. Dotknąć końcówkami sondy pomiarowej do obwodu lub testowanej części. Najlepiej odłączyć jedną stronę badanej części, aby reszta obwodu nie zakłócała odczytu rezystancji.
4. Odczytać rezystancję na wyświetlaczu.

## KONTROLA CIĄGŁOŚCI

**OSTRZEŻENIE:** Aby uniknąć porażenia prądem, nigdy nie należy mierzyć ciągłości na obwodach ani przewodach, które są pod napięciem.

1. Przełącznik funkcji ustawić w zielonym położeniu ➔ **Ω CAP**.
2. Włożyć wtyczkę bananową czarnego przewodu do ujemnego gniazda COM. Włożyć wtyczkę bananową czerwonego przewodu pomiarowego do dodatniego gniazda Ω.
3. Nacisnąć przycisk MODE, aby wskazać „i” na wyświetlaczu.
4. Dotknąć końcówkami sondy pomiarowej do obwodu lub przewodu, który chce się sprawdzić.
5. Jeśli opór jest mniejszy niż około 50Ω, będzie słychać sygnał dźwiękowy. Jeśli obwód jest otwarty, na wyświetlaczu pojawi się „OL”.

## TEST DIODY

1. Przełącznik funkcji ustawić w zielonym położeniu ➔ **Ω CAP**.
2. Włożyć wtyczkę czarnego przewodu pomiarowego do ujemnego gniazda COM, a wtyczkę czerwonego przewodu pomiarowego do dodatniego gniazda V.
3. Nacisnąć przycisk MODE, aby wskazać **V** na wyświetlaczu.
4. Dotknąć sondami pomiarowymi do badanej diody. Napięcie przewodzenia będzie zazwyczaj wskazywało od 0,400 do 0,700 V. Napięcie wsteczne będzie wskazywać „OL”. Urządzenia zwarte będą wskazywały prawie 0 V, a urządzenie otwarte będzie wskazywało „OL” przy obu biegunowościach.

## POMIARY POJEMNOŚCI

**OSTRZEŻENIE:** Aby uniknąć porażenia prądem elektrycznym, przed wykonaniem jakichkolwiek pomiarów pojemności należy odłączyć zasilanie testowanego urządzenia i rozładować wszystkie kondensatory. Wyjąć baterie i odłączyć przewody.

1. Obrotowy przełącznik funkcji ustawić w zielonym położeniu ➔ **Ω CAP**.
2. Włożyć wtyczkę bananową czarnego przewodu pomiarowego do ujemnego gniazda COM. Włożyć wtyczkę bananową czerwonego przewodu pomiarowego do dodatniego gniazda V.
3. Nacisnąć przycisk MODE, aby wskazać „nF” na wyświetlaczu.
4. Dotknąć przewodami testowymi do kondensatora, który ma być testowany.
5. Test może trwać do 3 minut lub więcej, aby duże kondensatory mogły się naładować. Przed zakończeniem testu poczekać, aż odczyty się ustabilizują.
6. Odczytać wartość pojemności na wyświetlaczu.

## 6. AUTOMATYCZNY/RĘCZNY WYBÓR ZAKRESU

Po pierwszym włączeniu miernika automatycznie przechodzi on w funkcję automatycznego wyboru zakresu. Automatycznie wybiera on najlepszy zakres dla dokonywanych pomiarów i jest generalnie najlepszym trybem w przypadku większości pomiarów. W sytuacjach pomiarów wymagających ręcznego wybrania zakresu należy wykonać następujące czynności:

1. Nacisnąć przycisk **RANGE**. Wskaźnik „AUTO” wyświetlacza się wyłączy.
2. Nacisnąć przycisk **RANGE**, aby przejść przez dostępne zakresy, aż wybrany zostanie żądany zakres.
3. Aby wyjść z trybu ręcznego wyboru zakresu i powrócić do automatycznego zakresu, nacisnąć i przytrzymać przez 2 sekundy przycisk **RANGE**.

**Uwaga!** Zakres ręczny nie dotyczy funkcji pomiaru pojemności i częstotliwości.

### MAX/MIN

**Uwaga!** Podczas korzystania z funkcji MAX/MIN w trybie automatycznego zakresu miernik „zablokuje” się w zakresie wyświetlanym na wyświetlaczu LCD w momencie włączania funkcji MAX/MIN. Jeśli odczyt MAX/MIN przekroczy ten zakres, na wyświetlaczu pojawi się napis „OL”. Wybrać żądany zakres PRZED przejściem w tryb MAX/MIN.

1. Nacisnąć przycisk MAX/MIN, aby włączyć tryb rejestrowania wartości MAX/MIN. Na wyświetlaczu pojawi się ikona „MAX”. Miernik wyświetli i utrzyma odczyt maksymalny i będzie on aktualizowany tylko wtedy, gdy pojawi się nowa wartość „max”.
2. Ponownie nacisnąć przycisk MAX/MIN i na wyświetlaczu pojawi się ikona „MIN”. Miernik wyświetli i utrzyma odczyt minimalny i będzie on aktualizowany tylko wtedy, gdy pojawi się nowa wartość „min”.
3. Aby wyjść z trybu MAX/MIN, należy nacisnąć i przytrzymać przycisk MAX/MIN przez 2 sekundy.

### **PODŚWIETLENIE WYŚWIETLACZA**

Wyświetlacz pozytywowany i podświetlenie po włączeniu urządzenia

#### **TRYB**

Naciśnięcie przycisku MODE umożliwia wybór podwójnych funkcji pomiarowych, które są pokazywane na wyświetlaczu. W szczególności przycisk ten jest aktywny w pozycji **V • ➔ • CAP • Ω** do wyboru pomiędzy pomiarem rezystancji, diody, ciągłości i pojemności, a w pozycji prądowej do wyboru pomiędzy pomiarami prądu przemiennego lub stałego.


### **ZACHOWANIE POMIARU/LATARKA**

Funkcja zachowania zatrzymuje odczyt na wyświetlaczu. Nacisnąć chwilowo klawisz HOLD, aby włączyć lub wyłączyć funkcję zachowania. Nacisnąć przycisk HOLD na >1 sekundę, aby włączyć lub wyłączyć funkcję latarki. Latarka włączy się i wyłączy się automatycznie po 5 minutach bezczynności.

### **AUTOMATYCZNE WYŁĄCZENIE**

Funkcja automatycznego wyłączania wyłączy miernik po 15 minutach. Aby wyłączyć funkcję automatycznego wyłączania należy przytrzymać przycisk MODE i włączyć miernik.

### **WSKAZANIE NISKIEGO POZIOMU BATERII**

Ikona  pojawi się w lewym dolnym rogu wyświetlacza, gdy napięcie baterii będzie niskie. Gdy to nastąpi, należy wymienić baterię.

## **7. Konserwacja**

**OSTRZEŻENIE:** Aby uniknąć porażenia prądem, przed zdjęciem osłony tylnej lub osłony baterii lub bezpieczników należy odłączyć przewody pomiarowe od wszelkich źródeł napięcia.

**OSTRZEŻENIE:** Aby uniknąć porażenia prądem, nie należy obsługiwać miernika, dopóki osłony baterii i bezpieczników nie znajdą się na swoim miejscu i nie zostaną bezpiecznie zamocowane.

1. UTRZYMYWAĆ MIERNIK SUCHY. Jeśli się zamoczy, wytrzeć go.
2. UŻYWAĆ I PRZECHOWYWAĆ MIERNIK W NORMALNYCH TEMPERATURACH. Ekstremalne temperatury mogą skrócić żywotność części elektronicznych i zniekształcić lub stopić części z tworzywa sztucznego.
3. OBCHODZIĆ SIĘ Z MIERNIKIEM DELIKATNIE I OSTROŻNIE. Upuszczenie go może spowodować uszkodzenie części elektronicznych lub obudowy.
4. UTRZYMYWAĆ MIERNIK W CZYSTOŚCI. Od czasu do czasu należy przetrzeć obudowę wilgotną szmatką.  
NIE UŻYWAĆ środków chemicznych, rozpuszczalników ani detergentów.
5. UŻYWAĆ TYLKO NOWYCH BATERII ZALECANEGO ROZMIARU I TYPU. Wyjąć stare lub słabe baterie, aby nie wyciekły i nie uszkodziły urządzenia.
6. JEŚLI MIERNIK MA BYĆ PRZECHOWYWANY PRZEZ DŁUŻSZY OKRES, należy wyjąć baterie, aby zapobiec uszkodzeniu urządzenia.

### **WKŁADANIE BATERII**

**OSTRZEŻENIE:** Aby uniknąć porażenia prądem, przed zdjęciem osłony baterii należy odłączyć przewody pomiarowe od wszelkich źródeł napięcia.

1. Wyłączyć zasilanie i odłączyć przewody pomiarowe od miernika.
2. Otworzyć tylną osłonę baterii, odkręcając śrubę za pomocą wkrętaka z łbem krzyżakowym.
3. Włożyć baterię do uchwytu baterii, zwracając uwagę na właściwą biegunowość.
4. Założyć z powrotem osłonę baterii na miejsce. Zabezpieczyć śrubą.

**OSTRZEŻENIE:** Aby uniknąć porażenia prądem, nie należy obsługiwać miernika, dopóki osłona baterii nie znajdzie się na swoim miejscu i nie zostanie bezpiecznie zamocowana.

**UWAGA:** Jeśli miernik nie działa prawidłowo, należy sprawdzić bezpieczniki i baterie, aby upewnić się, że są one nadal w dobrym stanie i prawidłowo włożone.

## WYMIANA BEZPIECZNIKÓW

**OSTRZEŻENIE:** Aby uniknąć porażenia prądem, przed zdjęciem osłony bezpieczników należy odłączyć przewody pomiarowe od wszelkich źródeł napięcia.

1. Odłączyć przewody pomiarowe od miernika.
2. Zdjąć osłonę baterii.
3. Delikatnie wyjąć stary bezpiecznik i zamontować nowy bezpiecznik w uchwycie.
4. Zawsze używać bezpiecznika o odpowiednim rozmiarze i wartości (0,5 A/600 V szybkiego dla zakresu 600 mA, 10 A/600 V szybkiego dla zakresu 20 A).
5. Ponownie założyć i zabezpieczyć tylną osłonę, baterię i osłonę baterii.

**OSTRZEŻENIE:** Aby uniknąć porażenia prądem, nie należy obsługiwać miernika, dopóki osłona bezpieczników nie znajdzie się na swoim miejscu i nie zostanie bezpiecznie zamocowana.

## 8. Dane techniczne:

Funkcja	Zasięg	Rozdzielczość	Dokładność
Napięcie DC	400mV	0.1mV	±(1,0% odczytu + 5 cyfr)
	4V	0.001V	
	40V	0.01V	
	400V	0.1V	
	600V	1V	
Napięcie AC (od 50Hz do 60Hz)	4V	0.001V	±(1,2% odczytu + 3 cyfry)
	40V	0.01V	
	400V	0.1V	
	600V	1V	
Wszystkie zakresy napięć przemiennych są określone od 5% zakresu do 100% zakresu			
Prąd stały	400µA	0.1µA	±(1,0% odczytu + 3 cyfry)
	4000µA	1µA	
	40mA	0.01mA	
	400mA	0.1mA	
	4A	0.001A	±(1,2% odczytu + 3 cyfry)
	10A	0.01A	
	(20 A: maks. 30 sekund z obniżoną dokładnością)		


Prąd przemienny (od 50Hz do 60Hz)	400µA	0.1µA	±(1,2% odczytu + 3 cyfry)
	4000µA	1µA	
	40mA	0.01mA	
	400mA	0.1mA	
	4A	0.001A	±(1,8% odczytu + 5 cyfr)
	10A	0.01A	
	(20 A: maks. 30 sekund z obniżoną dokładnością)		
Wszystkie zakresy napięć przemiennych są określone od 5% zakresu do 100% zakresu			

**UWAGA:** Dokładność jest podana przy 65°F do 83°F (od 18°C do 28°C) i wilgotności względnej powietrza poniżej 75%.

Funkcja	Zasięg	Rozdzielczość	Dokładność
Rezystancja	400Ω	0.1kΩ	±(1,5% odczytu + 5 cyfr)
	4kΩ	0.001kΩ	
	40kΩ	0.01kΩ	
	400kΩ	0.1kΩ	
	4MΩ	0.001MΩ	
Pojemność	40MΩ	0.01MΩ	±(2,5% odczytu + 20 cyfr)
	40nF	0.01nF	±(4,5% odczytu +10 cyfr)
	400nF	0.1nF	
	4µF	0.001µF	±(3,0% odczytu + 5 cyfr)
	40µF	0.01µF	
400µF	0.1µF		
Częstotliwość (elektryczna)	4000µF	1µF	±(5% odczytu + 5 cyfr)
	10.00-10KHz	0.01Hz	±(1,2% odczytu)
Cykl pracy	Czułość: 15 Vrms		±(1,2% odczytu + 2 cyfry)
	0.1 to 99.9%	0.1%	
	Szerokość impulsu: 100µs-100ms, Częstotliwość: od 5Hz do 150kHz		

**Uwaga!** Specyfikacje dokładności składają się z dwóch elementów:

- (odczyt w %) – to dokładność obwodu pomiarowego.
- (+ cyfry) – to dokładność przetwornika analogowo-cyfrowego.

<b>Obudowa</b>	Podwójnie formowana
<b>Wstrząsy (test upadku)</b>	6,5 stopy (2 metry)
<b>Test diody</b>	Prąd próbny o maksymalnym natężeniu 1,5 mA, napięcie w obwodzie otwartym 3 V DC typowe
<b>Kontrola ciągłości</b>	Sygnał dźwiękowy zabrzmi, jeśli rezystancja jest mniejsza niż 50Ω (ok.), prąd testowy <0,35 mA
<b>Impedancja wejścia</b>	> 10 MΩ VDC i > 10 MΩ VAC
<b>Odpowiedź AC</b>	TRMS
<b>Szerokość pasma AC V</b>	50/60 Hz (WSZYSTKIE FALE) od 45 Hz do 1000 Hz (SINUSOIDA)
<b>Współczynnik szczytu</b>	≤3 przy pełnej skali do 300 V, malejąc liniowo do ≤1,5 przy 600 V
<b>Wyświetlacz</b>	Zliczający do 4000 wyświetlacz pozytywny
<b>Wskazanie przekroczeń zakresów</b>	Wyświetlane jest wskazanie „OL”
<b>Automatyczne wyłączenie</b>	15 minut (w przybliżeniu) z możliwością wyłączenia
<b>Biegunowość</b>	Automatyczna (brak wskazania dla dodatniej); znak minus (-) dla wskazania ujemnego
<b>Szybkość pomiaru</b>	3 razy na sekundę, nominalnie
<b>Wskazanie niskiego poziomu baterii</b>	Jeśli napięcie akumulatora spadnie poniżej napięcia roboczego, wyświetlane jest wskazanie „  ”
<b>Bateria</b>	1,5 V AAA – 2 baterie
<b>Bezpieczniki</b>	mA, zakresy A; 0,5 A 600 V, ceramiczny szybki, zakres A; 10 A/600 V ceramiczny szybki
<b>Temperatura pracy</b>	od 41°F do 104°F (od 5°C do 40°C) od -4°F do 140°F (od -20°C do 60°C)
<b>Temperatura przechowywania</b>	Maks. 80% do 87°F (31°C) zmniejszając się liniowo do 50% przy 104°F (40°C)
<b>Wilgotność przechowywania</b>	<80%
<b>Wilgotność eksploatacyjna</b>	7000 ft. (2000 metrów) maksymalnie
<b>Masa</b>	0,753 lb (342 g) (z futerałem)
<b>Wymiary</b>	(182 × 82 × 59 mm) (z futerałem)
<b>Bezpieczeństwo</b>	Miernik jest przeznaczony do stosowania w miejscu rozpoczęcia instalacji i zabezpieczony przed użytkownikami podwójną izolacją zgodnie z normami EN61010-1 i IEC61010-1 wydanie 2 (2001) do kategorii III 600 V i kategorii II 1000 V; stopień zanieczyszczenia 2. Miernik spełnia również wymagania UL 61010-1, wydanie 2 (2004), CAN/CSA C22.2 nr 61010-1, wydanie 2 (2004) oraz UL 61010B-2-031, wydanie 1 (2003).

## 1. Предисловие

Этот прибор предназначен для измерения напряжения пост./перем. тока, постоянного и переменного тока, сопротивления, емкости, частоты (электрического тока), а также для проверки диодов и неразрывности цепи. Он отличается водонепроницаемой, невероятно прочной конструкцией, которая позволяет использовать его в наиболее сложных условиях эксплуатации. Соблюдение правил эксплуатации и правильный уход за этим устройством обеспечат его надежную работу в течение многих лет.

### **Безопасность**

Этот символ, размещенный рядом с другим знаком, клеммой или рабочим устройством, указывает на то, что во избежание травмирования и повреждения прибора пользователь должен обратиться к инструкции по его эксплуатации.

Этот символ «ПРЕДУПРЕЖДЕНИЕ» указывает на потенциально опасную ситуацию, которая, если ее не предотвратить, приведет к получению серьезных травм или гибели.

**ПРЕДУПРЕЖДЕНИЕ**

Этот символ «ВНИМАНИЕ!» указывает на потенциально опасную ситуацию, которая, если ее не предотвратить, может привести к повреждению устройства.

**ВНИМАНИЕ!**

Этот символ предупреждает пользователя о том, что клеммы, помеченные таким образом, нельзя подключать к точке цепи, в которой напряжение относительно земли превышает (в данном случае) 600 В переменного или постоянного тока.



Этот символ, расположенный рядом с одной или несколькими клеммами, указывает на то, что они связаны с цепями, в которых в нормальном режиме эксплуатации устройства могут возникнуть особенно опасные для человека уровни напряжения. Для обеспечения максимальной безопасности запрещается трогать устройство и его измерительные провода, когда эти клеммы находятся под напряжением.



Этот символ указывает на то, что данное устройство полностью защищено двойной или усиленной изоляцией.



## 2. ОПРЕДЕЛЕНИЕ КАТЕГОРИИ ПЕРЕГРУЗКИ ПО НАПРЯЖЕНИЮ СОГЛАСНО СТАНДАРТУ IEC1010

### КАТЕГОРИЯ ПЕРЕГРУЗКИ ПО НАПРЯЖЕНИЮ I

Устройства данной категории предназначены для подключения к цепям, в которых принимаются меры по ограничению динамической перегрузки по напряжению до приемлемого низкого уровня.

Примечание . К ним относятся, например, защищенные электронные цепи.

### КАТЕГОРИЯ ПЕРЕГРУЗКИ ПО НАПРЯЖЕНИЮ II

К этой категории относится энергоемкое оборудование, питание на которое подается от стационарных установок.

Примечание . Характерными примерами являются бытовые, офисные и лабораторные приборы.

### КАТЕГОРИЯ ПЕРЕГРУЗКИ ПО НАПРЯЖЕНИЮ III

В эту категорию входит оборудование стационарных установок.

Примечание . В качестве примера можно привести выключатели стационарных установок и отдельные устройства промышленного назначения, постоянно подключенные к стационарным агрегатам.

### КАТЕГОРИЯ ПЕРЕГРУЗКИ ПО НАПРЯЖЕНИЮ IV

Это оборудование предназначено для применения в исходном месте размещения установки.

Примечание . К примерам относятся счетчики электроэнергии и первичное оборудование для защиты от перегрузки по току.

## 3. ИНСТРУКЦИИ ПО ТЕХНИКЕ БЕЗОПАСНОСТИ

При использовании данного устройства нужно соблюдать осторожность. Для обеспечения безопасности во время работы нужно неукоснительно соблюдать приведенные ниже требования.

3.1. **НИКОГДА** не подавайте на устройство напряжение или ток, которые превышают указанные максимальные значения:

Ограничения	
Параметр	Максимальное значение на входе
V (пост. или перем. тока)	600 В пост./перем. тока (среднеkv.)
mA (перем./пост. тока)	500 мА при использовании быстродействующего предохранителя на 600 В
A (перем./пост. тока)	10 А при использовании быстродействующего предохранителя на 600 В
Частота, сопротивление, емкость, тестирование диода, проверка неразрывности цепи	300 В пост./перем. тока (среднеkv.)
Защита от скачков напряжения: пиковое значение 6 кВ в соответствии с IEC 61010	

3.2. **СОБЛЮДАЙТЕ КРАЙНЮЮ ОСТОРОЖНОСТЬ** при работе с высоким напряжением.

3.3. **НЕ ИЗМЕРЯЙТЕ** напряжение, если значение на входном разъеме «COM» («ОБЩИЙ») превышает 600 В.

3.4. **НИКОГДА** не подключайте провода устройства к источнику напряжения, если его функциональный переключатель находится в положении для определения силы тока/сопротивления или проверки диода. Это может привести к выходу прибора из строя.

3.5. При измерении сопротивления и выполнении проверки диода **ВСЕГДА** разряжайте конденсаторы фильтров на источниках питания и отключайте линии подачи напряжения.

3.6. **ВСЕГДА** отключайте питание и отсоединяйте измерительные провода, прежде чем снимать крышки для замены предохранителя или батарей.

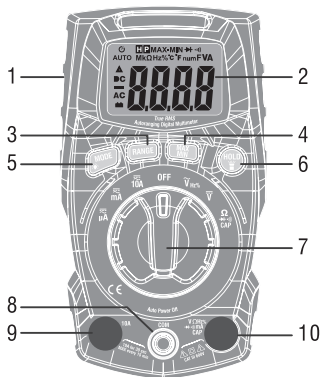
3.7. **НИКОГДА** не используйте устройство, если его задняя крышка, а также крышки отсеков для батарей и предохранителей, не были установлены и должным образом зафиксированы на своих местах.

3.8. Если оборудование используется способом, который не был предусмотрен изготовителем, эффективность установленной в нем защиты может быть существенно снижена.

## 4. Контрольные элементы и разъемы

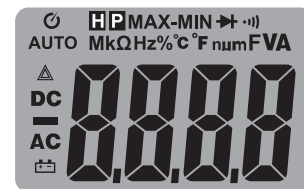
1. Крышка батарейного отсека
2. ЖК-дисплей, разрядность: 4000, отображение данных в формате «светлые символы на темном фоне»
3. Кнопка выбора диапазона
4. Кнопка отображения максимального/минимального значения
5. Кнопка выбора режима
6. Кнопка удержания значений на экране и включения фонарика
7. Функциональный переключатель
8. Входной разъем «COM» («ОБЩИЙ»)
9. Входной разъем «10A»
10. Входной разъем положительного полюса, «mA», « $\mu$ A»

**Примечание.** Наклонная подставка и батарейный отсек расположены в задней части устройства.



## 5. Символы и сигнализаторы

- Автоматическое включение питания
- Проверка неразрывности цепи
- Проверка диода
- Состояние батареи
- n** нано (10<sup>-9</sup>) (фарады)
- $\mu$**  микро (10<sup>-6</sup>) (амперы, фарады)
- m** милли (10<sup>-3</sup>) (вольты, амперы)
- A** Амперы
- K** кило (10<sup>3</sup>) (омы)
- F** Фарады (емкость)
- M** мега (10<sup>6</sup>) (омы)
- $\Omega$**  Омы
- Hz** Герцы (частота)
- V** Вольты
- %** Проценты (коэффициент загрузки)



- AC** Переменный ток
- AUTO** Автоматический выбор диапазона
- DC** Постоянный ток
- HOLD** Удержание значения на дисплее
- MAX** Максимум
- MIN** Минимум

## Инструкции по эксплуатации

**ПРЕДУПРЕЖДЕНИЕ!** Существует опасность поражения электрическим током. Работа с цепями высокого напряжения (как переменного, так и постоянного тока) создает серьезную угрозу для жизни и здоровья человека — измерения в них следует выполнять крайне осторожно.

1. ВСЕГДА переводите функциональный переключатель в положение «Выкл.», если прибор не используется.
2. Если во время работы с устройством на его дисплее появляется надпись «OL», значит, измеряемое вами значение выходит за рамки выбранного диапазона. В этом случае необходимо перейти в более высокий диапазон.

## ИЗМЕРЕНИЕ НАПРЯЖЕНИЯ ПОСТОЯННОГО ТОКА

**ВНИМАНИЕ!** Не измеряйте напряжение постоянного тока, когда в цепи происходит переключение двигателя во включенное или выключенное состояние. В этой ситуации возможны серьезные скачки напряжения, что может привести к выходу мультиметра из строя.

1. Установите функциональный переключатель в положение для измерения напряжения постоянного тока, отмеченное зеленым цветом.
2. Вставьте штекер черного измерительного провода в разъем отрицательного полюса (COM). Вставьте штекер красного измерительного провода в разъем положительного полюса (V).
3. Прикоснитесь наконечником черного тестового провода к отрицательному выводу цепи. Прикоснитесь наконечником красного тестового провода к положительному выводу цепи.
4. Считайте напряжение на дисплее прибора.

## ИЗМЕРЕНИЕ НАПРЯЖЕНИЯ ПЕРЕМЕННОГО ТОКА (ЧАСТОТЫ, КОЭФФИЦИЕНТА ЗАГРУЗКИ)

**ПРЕДУПРЕЖДЕНИЕ!** Существует опасность поражения электрическим током. Наконечники измерительных проводов могут быть недостаточно длинными для того, чтобы обеспечить необходимый контакт с токоведущими частями внутри некоторых розеток сети 240 В, предназначенных для подключения оборудования, поскольку соответствующие элементы достаточно глубоко утоплены в таких розетках. В результате, на дисплее прибора может отображаться значение «0 вольт», хотя на самом деле розетка находится под напряжением. Прежде чем предположить отсутствие напряжения в розетке, убедитесь в том, что наконечники измерительных проводов касаются металлических контактов внутри нее.

**ВНИМАНИЕ!** Не измеряйте напряжение переменного тока, когда в цепи происходит переключение двигателя во включенное или выключенное состояние. В этой ситуации возможны серьезные скачки напряжения, что может привести к выходу мультиметра из строя.

1. Установите функциональный переключатель в положение для измерения напряжения переменного тока/частоты/коэффициента загрузки («VAC/Hz/%»), отмеченное зеленым цветом.
2. Вставьте штекер черного измерительного провода в разъем отрицательного полюса (COM). Вставьте штекер красного измерительного провода в разъем положительного полюса (V).
3. Прикоснитесь наконечником черного тестового провода к нейтральному выводу цепи. Прикоснитесь наконечником красного тестового провода к выводу цепи, находящемуся под напряжением.
4. Считайте напряжение на дисплее прибора.
5. Нажмите кнопку «HZ/%», чтобы перейти к отображению значения частоты.
6. Считайте частоту на дисплее прибора.
7. Еще раз нажмите кнопку «HZ/%», чтобы перейти к отображению на дисплее коэффициента загрузки.
8. Считайте выраженный в процентах коэффициент загрузки на дисплее прибора.

## ИЗМЕРЕНИЕ ПОСТОЯННОГО ТОКА

**ВНИМАНИЕ!** Не выполняйте измерения силы тока в диапазоне 20 А в течение более 30 секунд. Превышение данного интервала времени может привести к повреждению прибора и/или его измерительных проводов.

1. Вставьте штекер черного измерительного провода в разъем отрицательного полюса (COM).
2. Для измерения постоянного тока в диапазоне до 6000  $\mu$ A переведите функциональный переключатель в соответствующее положение « $\mu$ A», отмеченное желтым цветом, после чего вставьте штекер красного измерительного провода в разъем ( $\mu$ A/mA).
3. Для измерения постоянного тока в диапазоне до 600 mA переведите функциональный переключатель в соответствующее положение «mA», отмеченное желтым цветом, после чего вставьте штекер красного измерительного провода в разъем ( $\mu$ A/mA).
4. Для измерения постоянного тока в диапазоне до 20 A переведите функциональный переключатель в положение «10A/HZ/%», отмеченное желтым цветом, после чего вставьте штекер красного измерительного провода в разъем «10A».
5. Нажмите кнопку выбора режима, чтобы на дисплее появилась надпись «DC».

6. Отключите питание тестируемой цепи, после чего разомкните ее в точке, где вы хотите измерить силу тока.
7. Прикоснитесь наконечником черного тестового провода к отрицательному выводу цепи. Прикоснитесь наконечником красного тестового провода к положительному выводу цепи.
8. Снова подайте напряжение на цепь.
9. Считайте значение силы тока на дисплее прибора.

## ИЗМЕРЕНИЕ ПЕРЕМЕННОГО ТОКА (ЧАСТОТЫ, КОЭФФИЦИЕНТА ЗАГРУЗКИ)

**ВНИМАНИЕ!** Не выполняйте измерения силы тока в диапазоне 20 А в течение более 30 секунд. Превышение данного интервала времени может привести к повреждению прибора и/или его измерительных проводов.

1. Вставьте штекер черного измерительного провода в разъем отрицательного полюса (COM).
2. Для измерения переменного тока в диапазоне до 6000  $\mu$ А переведите функциональный переключатель в соответствующее положение « $\mu$ А», отмеченное желтым цветом, после чего вставьте штекер красного измерительного провода в разъем ( $\mu$ А/mA).
3. Для измерения переменного тока в диапазоне до 600 мА переведите функциональный переключатель в положение «mA», отмеченное желтым цветом, после чего вставьте штекер красного измерительного провода в разъем ( $\mu$ А/mA).
4. Для измерения переменного тока в диапазоне до 20 А переведите функциональный переключатель в положение «10A/HZ/%», отмеченное желтым цветом, после чего вставьте штекер красного измерительного провода в разъем «10A».
5. Нажмите кнопку выбора режима, чтобы на дисплее появилась надпись «АС».
6. Отключите питание тестируемой цепи, после чего разомкните ее в точке, где вы хотите измерить силу тока.
7. Прикоснитесь наконечником черного тестового провода к нейтральному выводу цепи. Прикоснитесь наконечником красного тестового провода к выводу цепи, находящемуся под напряжением.
8. Снова подайте напряжение на цепь.
9. Считайте значение силы тока на дисплее прибора.

## ИЗМЕРЕНИЕ СОПРОТИВЛЕНИЯ

**ПРЕДУПРЕЖДЕНИЕ!** Чтобы избежать поражения электрическим током, перед выполнением любых измерений сопротивления отключите подачу питания на тестируемый объект и разрядите все конденсаторы. Извлеките батареи и отсоедините силовые проводники.

1. Установите функциональный переключатель в положение  $\rightarrow \cdot \rightarrow \cdot$  **Ω CAP**, отмеченное зеленым цветом. Вставьте штекер черного измерительного провода в разъем отрицательного полюса (COM). Вставьте штекер красного измерительного провода в разъем положительного полюса (Ω).
2. Нажмите кнопку выбора режима, чтобы на дисплее появился символ « $\Omega$ ».
3. Прикоснитесь наконечниками измерительных проводов к тестируемой цепи или объекту. Лучше всего отсоединить необходимый участок тестируемой схемы, чтобы остальная часть цепи не мешала проведению измерений.
4. Считайте сопротивление на дисплее прибора.

## ПРОВЕРКА НЕРАЗРЫВНОСТИ ЦЕПИ

**ПРЕДУПРЕЖДЕНИЕ!** Чтобы избежать поражения электрическим током, никогда не выполняйте проверку неразрывности цепей или проводов, которые находятся под напряжением.

1. Установите функциональный переключатель в положение  $\rightarrow \cdot \rightarrow \cdot$  **Ω CAP**, отмеченное зеленым цветом.
2. Вставьте штекер черного измерительного провода в разъем отрицательного полюса (COM). Вставьте штекер красного измерительного провода в разъем положительного полюса (Ω).
3. Нажмите кнопку выбора режима, чтобы на дисплее появился значок « $\rightarrow \cdot \rightarrow \cdot$ » и символ « $\Omega$ ».
4. Прикоснитесь наконечниками измерительных проводов к цепи или проводу, который вы хотите проверить.
5. Если сопротивление будет меньше примерно 50 $\Omega$ , раздастся звуковой сигнал. Если цепь разомкнута, на дисплее появится надпись «OL».

## ПРОВЕРКА ДИОДА

1. Установите функциональный переключатель в положение **▶ ◀) Ω CAP**, отмеченное зеленым цветом.
2. Вставьте штекер черного измерительного провода в разъем отрицательного полюса (COM), а штекер красного измерительного провода — в разъем положительного полюса (V).
3. Нажмите кнопку выбора режима, чтобы на дисплее появился значок **«▶»** и надпись **«V»**.
4. Прикоснитесь наконечниками измерительных проводов к тестируемому диоду. Значение прямого напряжения в стандартном случае будет составлять от 0,400 до 0,700 В. Для обратного напряжения на дисплее будет отображаться значение **«OL»**. Закороченные диоды будут показывать около 0 В, а разомкнутые — **«OL»** в обоих направлениях.

## ИЗМЕРЕНИЕ ЕМКОСТИ

**ПРЕДУПРЕЖДЕНИЕ!** Чтобы избежать поражения электрическим током, перед выполнением любых измерений емкости отключите подачу питания на тестируемый объект и разрядите все конденсаторы. Извлеките батареи и отсоедините силовые проводники.

1. Установите поворотный функциональный переключатель в положение **▶ ◀) Ω CAP**, отмеченное зеленым цветом.
2. Вставьте штекер черного измерительного провода в разъем отрицательного полюса (COM). Вставьте штекер красного измерительного провода в разъем положительного полюса (V).
3. Нажмите кнопку выбора режима, чтобы на дисплее появилась надпись **«nF»**.
4. Прикоснитесь наконечниками измерительных проводов к тестируемому конденсатору.
5. Проверка конденсаторов большой емкости может длиться до 3 минут и более. Прежде чем завершить тестирование, дождитесь стабилизации показаний устройства.
6. Считайте значение емкости на дисплее прибора.

## 6. АВТОМАТИЧЕСКИЙ/РУЧНОЙ ВЫБОР ДИАПАЗОНА

При первом включении устройства оно по умолчанию переходит в режим автоматического выбора диапазона. Это позволяет автоматически выбрать лучший диапазон для выполняемых измерений — как правило, данная настройка является оптимальной для большинства операций. Если необходимо задать диапазон вручную, выполните следующие действия:

1. Нажмите кнопку **RANGE** («ДИАПАЗОН»). При этом на дисплее погаснет надпись **«AUTO»**.
2. Нажимайте кнопку **RANGE** («ДИАПАЗОН»), чтобы переключаться между доступными диапазонами, пока не будет выбран требуемый вариант.
3. Чтобы снова перейти из ручного режима выбора диапазона в автоматический, нажмите и удерживайте кнопку **RANGE** («ДИАПАЗОН») в течение 2 секунд.

**Примечание.** Функция ручного выбора диапазона не используется при измерении емкости и частоты.

## ОТОБРАЖЕНИЕ

### МАКСИМАЛЬНОГО/МИНИМАЛЬНОГО ЗНАЧЕНИЯ

**Примечание.** При активации функции отображения максимального/минимального значения в автоматическом режиме выбора диапазона для прибора будет зафиксирован диапазон, отображаемый в этот момент на его ЖК-дисплее. Если максимальное/минимальное значение выходит за пределы этого интервала, на дисплее появится надпись **«OL»**. Поэтому необходимо выбирать желаемый диапазон ДО перехода в режим отображения максимального/минимального значения.

1. Нажмите кнопку **MAX/MIN**, чтобы активировать режим фиксации максимального/минимального значения. При этом на дисплее появится надпись **«MAX»**. В дальнейшем прибор будет отображать и удерживать на дисплее максимальное значение, которое будет меняться только при появлении нового «максимума».
2. Еще раз нажмите кнопку **MAX/MIN** — на дисплее появится надпись **«MIN»**. В этом случае прибор будет отображать и удерживать на дисплее минимальное значение, которое будет меняться только при появлении нового «минимума».

3. Чтобы выйти из режима отображения максимального/минимального значения, нажмите и удерживайте кнопку MAX/MIN в течение 2 секунд.

#### **ПОДСВЕТКА ДИСПЛЕЯ**

При включении устройства выбирается формат отображения данных «темные символы на светлом фоне» и включается подсветка

#### **КНОПКА MODE («РЕЖИМ»)**

Нажмите кнопку MODE («РЕЖИМ»), чтобы выбрать требуемое значение в ситуациях, когда на дисплее могут отображаться результаты измерения нескольких величин. В частности, этой кнопкой можно воспользоваться, когда функциональный переключатель установлен в положение  $V \cdot \rightarrow \cdot CAP \cdot \Omega$ , чтобы выбрать между функциями определения величины сопротивления, проверки диода, контроля неразрывности цепи и измерения емкости, а также в положении для измерения силы тока, чтобы переключаться между переменным или постоянным током.

#### **УДЕРЖАНИЕ ДАННЫХ НА ДИСПЛЕЕ/ВКЛЮЧЕНИЕ ФОНАРИКА**


Функция удержания данных позволяет «заморозить» значение, отображаемое на дисплее. Кратковременно нажмите кнопку HOLD, чтобы активировать или прекратить работу функции удержания измеренных значений на дисплее прибора.

Либо нажмите кнопку HOLD и удерживайте ее более 1 секунды, чтобы включить или выключить фонарик. При этом фонарик автоматически выключится через 5 минут после совершения последнего действия.

#### **АВТОМАТИЧЕСКОЕ ОТКЛЮЧЕНИЕ**

Функция автоматического выключения позволяет отключать устройство через 15 минут после выполнения последней операции. Чтобы деактивировать ее, при включении прибора удерживайте кнопку MODE в нажатом положении.

#### **ИНДИКАЦИЯ НИЗКОГО УРОВНЯ ЗАРЯДА БАТАРЕИ**

Если напряжение батареи опустится ниже заданного уровня, в нижнем левом углу дисплея появится значок . В этом случае необходимо заменить батарею.

## **7. Обслуживание**

**ПРЕДУПРЕЖДЕНИЕ!** Чтобы избежать поражения электрическим током, перед снятием крышек отсека для батарей или предохранителей в задней части прибора отсоедините измерительные провода от всех источников напряжения.

**ПРЕДУПРЕЖДЕНИЕ!** Чтобы избежать поражения электрическим током, не включайте свой мультиметр, пока крышки отсеков для батарей и предохранителей не будут установлены на своих местах и надежно зафиксированы.

Этот мультиметр рассчитан на долгие годы безотказной работы при условии выполнения приведенных ниже инструкций по уходу за ним:

1. **ДЕРЖИТЕ ПРИБОР В СУХОМ СОСТОЯНИИ.** Если на устройство попала влага, протрите его.
2. **ИСПОЛЬЗУЙТЕ И ХРАНИТЕ ПРИБОР ТОЛЬКО ПРИ ДОПУСТИМОЙ ТЕМПЕРАТУРЕ.** Нахождение устройства в среде с экстремальной температурой может сократить срок службы электронных компонентов, а также привести к деформации или расплавлению пластмассовых деталей.
3. **РАБОТАЙТЕ С ПРИБОРОМ АККУРАТНО И ОСТОРОЖНО.** Падение устройства может привести к повреждению его электронных компонентов или корпуса.
4. **НЕ ДОПУСКАЙТЕ ЧРЕЗМЕРНОГО ЗАГРЯЗНЕНИЯ ПРИБОРА.** Время от времени протирайте корпус устройства влажной тканью. **НЕ ИСПОЛЬЗУЙТЕ** для удаления грязи химикаты, чистящие растворители или моющие средства.
5. **ВСТАВЛЯЙТЕ В ПРИБОР ТОЛЬКО НОВЫЕ БАТАРЕИ РЕКОМЕНДОВАННОГО РАЗМЕРА И ТИПА.** Своевременно извлекайте старые или чрезмерно разряженные батареи, чтобы они не протекли и не повредили устройство.
6. **ЕСЛИ ПРЕДПОЛАГАЕТСЯ РАЗМЕЩЕНИЕ МУЛЬТИМЕТРА НА ХРАНЕНИЕ В ТЕЧЕНИЕ ДЛИТЕЛЬНОГО ПЕРИОДА ВРЕМЕНИ,** из него следует извлечь батареи, чтобы предотвратить потенциальное повреждение устройства.

## УСТАНОВКА БАТАРЕИ

**ПРЕДУПРЕЖДЕНИЕ!** Чтобы избежать поражения электрическим током, перед снятием крышки батарейного отсека отсоедините измерительные провода от всех источников напряжения.

1. Выключите питание устройства и отсоедините от него измерительные провода.
2. Снимите крышку батарейного отсека в задней части прибора, выкрутив винт с помощью крестообразной отвертки.
3. Вставьте батарею в держатель, соблюдая при этом правильную полярность.
4. Верните крышку отсека на место. Прикрутите ее винтом.

**ПРЕДУПРЕЖДЕНИЕ!** Чтобы избежать поражения электрическим током, не включайте мультиметр, пока крышка батарейного отсека не будет установлена на своем месте и надежно зафиксирована.

**ПРИМЕЧАНИЕ.** Если ваше устройство не работает должным образом, проверьте предохранители и батареи — убедитесь, что они находятся в исправном состоянии и правильно размещены в приборе.

## ЗАМЕНА ПРЕДОХРАНИТЕЛЕЙ

**ПРЕДУПРЕЖДЕНИЕ!** Чтобы избежать поражения электрическим током, перед снятием крышки отсека предохранителей отсоедините измерительные провода от всех источников напряжения.

1. Отсоедините измерительные провода от устройства.
2. Снимите крышку батарейного отсека.
3. Аккуратно извлеките старый предохранитель, после чего вставьте новый предохранитель в держатель.
4. Всегда используйте для замены предохранители соответствующего размера и номинала (быстродействующий 0,5 А/600 В для диапазона 600 мА, быстродействующий 10 А/600 В для диапазона 20 А).
5. Верните на свои места и надежно зафиксируйте заднюю крышку мультиметра, батарею и крышку батарейного отсека.

**ПРЕДУПРЕЖДЕНИЕ!** Чтобы избежать поражения электрическим током, не включайте свой мультиметр, пока крышка отсека предохранителей не будет установлена на своем месте и надежно зафиксирована.

## 8. Характеристики

Параметр	Диапазон	Шаг отображения	Точность измерений
Напряжение постоянного тока	400 мВ	0,1 мВ	±(1,0% от считанного значения + 5 знаков)
	4 В	0,001В	
	40 В	0,01В	
	400 В	0,1В	
Напряжение переменного тока (50–60 Гц)	600 В	1 В	±(1,0% от считанного значения + 3 знака)
	4 В	0,001В	
	40 В	0,01В	
	400 В	0,1В	
Постоянный ток	600 В	1 В	±(1,2% от считанного значения + 3 знака)
	400 мА	0,1 мА	
	40 мА	0,01 мА	
	4 мА	0,001 мА	
	400 мкА	0,1 мкА	
	40 мкА	1 мкА	
Переменный ток (50–60 Гц)	40 мА	0,01 мА	±(1,0% от считанного значения + 3 знака)
	400 мА	0,1 мА	
	4 А	0,001 А	
	10 А	0,01 А	
	(Диапазон 20 А: измерения выполняются в течение не более 30 секунд со сниженной точностью)		±(1,2% от считанного значения + 3 знака)
	400 мА	0,1 мА	
	4000 мА	1 мА	
	40 мА	0,01 мА	
	4 А	0,001 А	±(1,2% от считанного значения + 3 знака)
	10 А	0,01 А	
	(Диапазон 20 А: измерения выполняются в течение не более 30 секунд со сниженной точностью)		
	±(1,8% от считанного значения + 5 знаков)		
Все диапазоны напряжения переменного тока указаны в интервале от 5 до 100%			

**ПРИМЕЧАНИЕ.** Указанная точность обеспечивается при температуре 65... 83 °F (18... 28 °C) и относительной влажности не более 75%.

Параметр	Диапазон	Шаг отображения	Точность измерений
Сопротивление	400Ω	0.1kΩ	±(1,5% от считанного значения + 5 знаков)
	4kΩ	0.001kΩ	
	40kΩ	0.01kΩ	
	400kΩ	0.1kΩ	
	4MΩ	0.001MΩ	
Емкость	40MΩ	0.01MΩ	±(2,5% от считанного значения + 20 знаков)
	40nF	0.01nF	±(4,5% от считанного значения + 10 знаков)
	400nF	0.1nF	±(3,0% от считанного значения + 5 знаков)
	4μF	0.001μF	
	40μF	0.01μF	
Частота (электрического тока)	400μF	0.1μF	±(5% от считанного значения + 5 знаков)
	4000μF	1μF	
Частота (электрического тока)	10.00-10KHz	0.01Hz	±(1,2% от считанного значения)
	Чувствительность: 15 В (среднекв.)		
Коэффициент загрузки	0.1 to 99.9%	0.1%	±(1,2% от считанного значения + 2 знака)
	Длительность импульса: 100 μс... 100 мс, Частота: 5 Гц... 150 кГц		

**Примечание.** На точность измерений влияют два фактора:

- (% от считанного значения) — это точность измерительной цепи.
- (+ кол-во знаков) — это точность преобразования аналоговых значений в цифровые.

**Корпус** Двойной, формованный  
**Допустимая ударная нагрузка (испытание на падение)** 6,5 фута (2 метра)

**Проверка диода** Испытательный ток не более 1,5 мА, напряжение разомкнутой цепи 3 В пост. тока (типичное значение)

**Проверка неразрывности цепи** Если сопротивление будет меньше прикл. 50Ω, раздастся звуковой сигнал; испытательный ток: менее 0,35 мА

**Входное полное сопротивление** > 10 МΩ для пост. тока и >10 МΩ для перемен. тока

**Значение переменного тока** Истинное среднеквадратичное значение

**Диапазон частоты переменного тока** 50/60 Гц (все типы волны), 45... 1000 Гц (синусоидальная волна)

**Коэффициент амплитуды** ≤3 для величины полного диапазона до 300 В, линейное снижение до ≤1,5 в диапазоне 600 В


**Дисплей** Разрядность: 4000, отображение данных в формате «темные символы на светлом фоне»

**Индикация выхода за пределы диапазона** На дисплее отображается надпись «OL»

**Автоматическое отключение** Через 15 минут (прикл.) при активированной функции

**Определение полярности** Автоматически (без индикации положительной полярности); для отрицательной полярности используется знак (-)

**Скорость измерений** 3 измерения в секунду (номинальный показатель)

**Индикация низкого уровня заряда батареи** Если уровень заряда батареи опускается ниже показателя рабочего напряжения, на дисплее появляется значок «»

**Батарея** 1,5-вольтовая батарея типа AAA, 2 шт.

**Предохранители** миллиамперный и микроамперный диапазоны: керамический быстродействующий предохранитель 0,5 А/600 В; амперный диапазон: керамический быстродействующий предохранитель 10 А/600 В

**Рабочая температура** 41... 104 °F (5... 40 °C)

<b>Температура хранения</b>	-4...140 °F (-20... 60 °C)
<b>Уровень влажности при эксплуатации</b>	Не более 80% при температуре до 87 °F (31 °C), линейное снижение до 50% при температуре 104 °F (40 °C)
<b>Уровень влажности при хранении</b>	<80%
<b>Рабочая высота</b>	макс. 7000 футов (2000 метров)
<b>Вес</b>	0,753 фунта (342 г) (включая кобуру).
<b>Размеры</b>	(182 x 82 x 59 мм) (включая кобуру)
<b>Безопасность</b>	Данный прибор предназначен для использования в указанных выше эксплуатационных диапазонах. Он защищен двойным слоем изоляции и, в соответствии с положениями EN61010-1 и IEC61010-1, 2-е издание (2001), относится к устройствам категории III (600 В) и категории II (1000 В); класс загрязнения — 2. Кроме того, этот мультиметр соответствует требованиям UL 61010-1, 2-е издание (2004), CAN/CSA C22.2, № 61010-1, 2-е издание (2004), и UL 61010B-2-031, 1-е издание (2003)